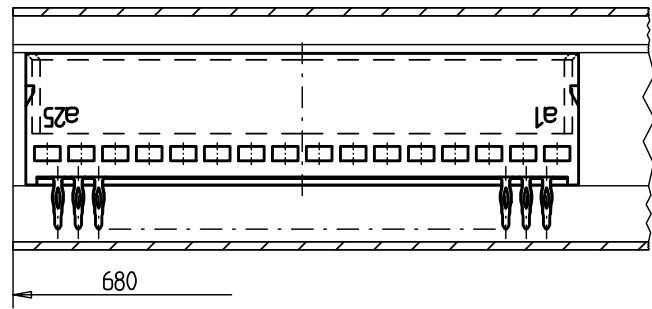
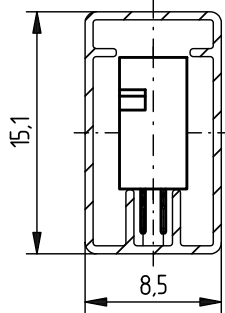
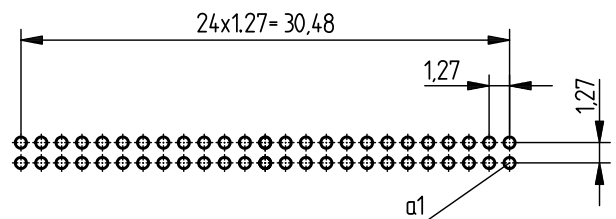
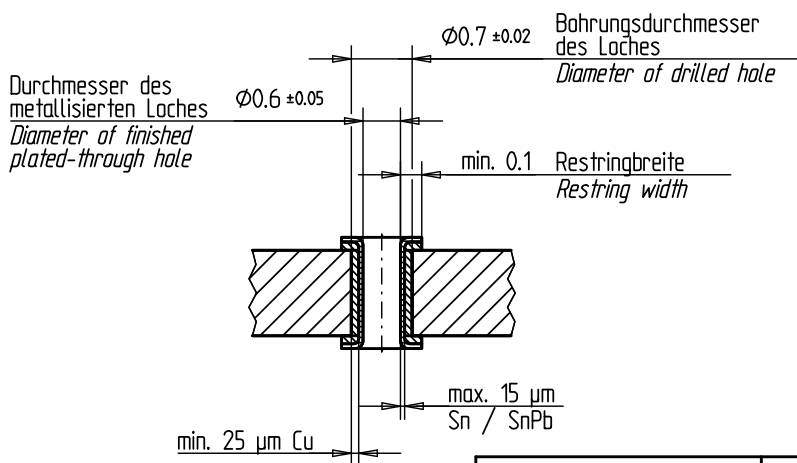


Verpackt in Stangenprofil - *Tube Packaging*  
 Verpackungseinheit: 19 Stück - *Packaging unit: 19 pcs*



Schichtaufbau im metallisierten Loch für EE-Kontakt  
*Metal plating of plated-through hole for EE-contact*

Lochbild für Leiterplatte  
*Board hole pattern*



Anforderungsstufe 1  
*Performance Level 1*  
 Kontaktbereich vergoldet  
*Mating Area gold plating*  
 Anschlussbereich verzinkt 4-6  $\mu\text{m}$   
*Terminal Area 4-6  $\mu\text{m}$  tin plating*  
 Koplranität der Anschlüsse  $\leq 0.1\text{mm}$   
*Coplanarity Area of Termination  $\leq 0.1\text{mm}$*

Standard Bauhöhe  
*Standard Assembly Height*

Information:	Tolerances	Scale 3:1	Designation Messerleiste SMC-Q, 50 polig Male Conn. SMC-Q, 50 contacts
	All rights reserved. Only for information. To insure that this is the latest version of this drawing, please contact one of the ERNI companies before using.		
<small>Consider protection memo from DIN 34</small> ERNI www.ERNI.com	064004	I	
c	18.05.2010	SMCQ	
Index	Date	Q-00069706.SZA	