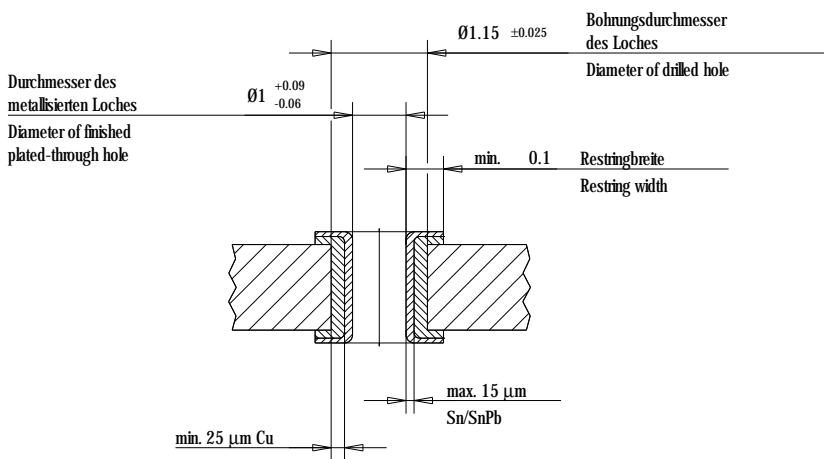
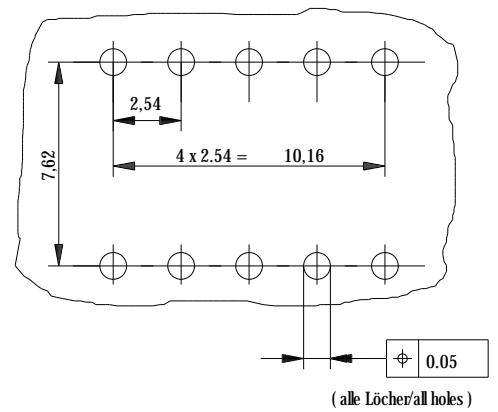


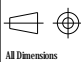

Schichtaufbau im metallisierten Loch für EE-Kontakt
Metal plating of plated-through hole for EE-contact



Leiterplattenbohrbild
PCB drillhole pattern



114195	M3
114194	M4
114193	6-32UNC
114192	8-32UNC
Ident-Nr Part No.	Gewinde thread

<p style="font-size: small;">All rights reserved. Only for information. To insure that this is the latest version of this drawing, please contact one of the ERNI companies before using. Subject to modification without prior notice. Drawing will not be updated.</p> <p style="font-size: x-small; transform: rotate(-90deg); position: absolute; left: -40px; top: 50px;">Consider purchase from DR 34</p>	<p>Tolerances</p>  <p style="font-size: x-small;">All Dimensions in mm</p>	<p>Scale 5:1</p>	<p>Designation</p> <p style="text-align: center;">SVA 10-polig Power bug 10 pin</p>	
	 <p style="font-size: x-small;">Elektroapparate GmbH D-73099 ADELBERG</p> <p style="font-size: x-small;">N:0007224.ZTL</p>	<p style="font-size: large;">114163</p>		<p>1</p>