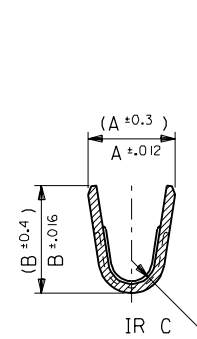
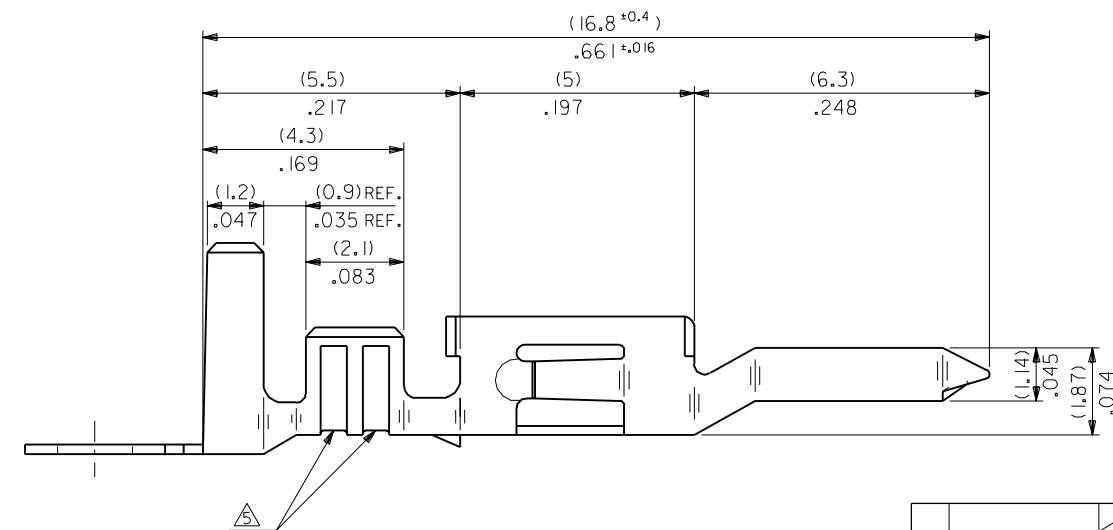
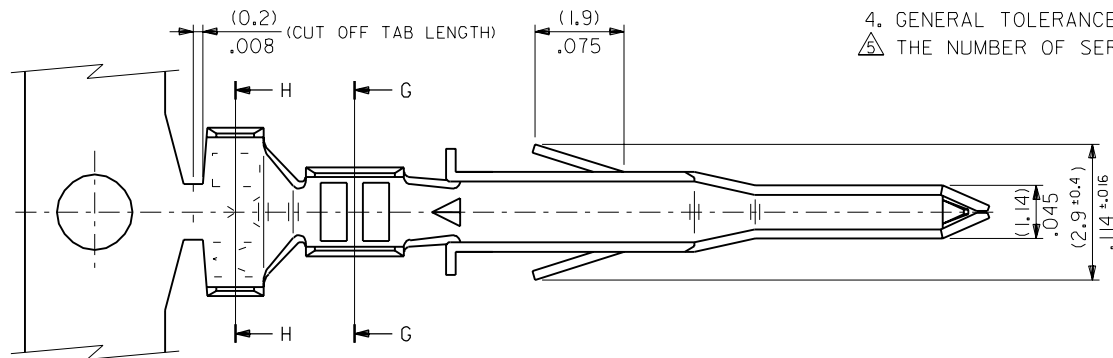
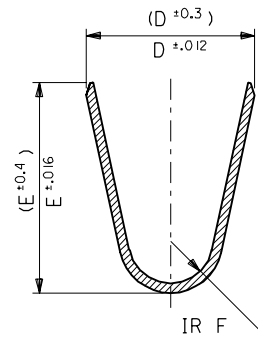


NOTES

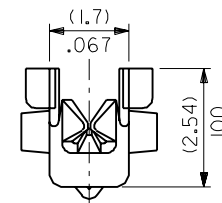
1. APPLICABLE HOUSING : 5559 SERIES
 2. MATES WITH TERMINAL : 5556 SERIES
 3. (METRIC) VALUES SHOWN GOVERN OVER ENGLISH CONVERSION VALUES.
 4. GENERAL TOLERANCES OF ENGLISH CONVERSION VALUES : ±.008 INCH
- △ THE NUMBER OF SERRATIONS TO BE ONE FOR WIRE RANGE #22-28.



SECT. G-G



SECT. H-H



		材料 MATERIAL		SEE SHEET 2 OF 2	molex MOLEX-JAPAN CO.,LTD. 日本モレックス株式会社	
K	REVISED (JC90012)	Y.K S.K	98/7/6	仕上げ FINISH	SEE SHEET 2 OF 2	EDP. NO. SEE SHEET 2 OF 2
J	REVISED (JC80619)	Y.K S.K	98/5/6	適用電線範囲 WIRE RANGE	SEE SHEET 2 OF 2	ENG. NO. SHEET 1 OF 2 SD-5558*****
H	REVISED (J20428)	H.H Y.Y	92/5/20	被覆外径 INS. RANGE	SEE SHEET 2 OF 2	REV K
G	REVISED (J10381)	H.H Y.Y	91/6/25	DRAWN BY 91/3/12 H.HIRAMOTO CHK'D BY 98/7/7 K.T.S.KUNISHI APP'D BY 98/7/7 M.FUKUSHIMA 尺度 SCALE 10 - 1		
F	REVISED & REDRAWN (J10202)	H.H Y.Y	91/4/27	TITLE 名称 NEW MINI. FIT CONN. CRIMP PIN		
角度 ANGLE		±3°		REVISION RECORD		
30 以上 OVER		+0.3		記号 LTR	変更内容	DR. 日付
10 以上 30 未満 OVER UNDER		+0.25		REVISION RECORD		DATE
10 未満 UNDER		+0.2		DR. CHK.		DATE
一般公差 GENERAL TOLERANCES		REVISE ONLY ON CAD SYSTEM				

ENG. NO SD-5558***** SHEET 2 OF 2

EDP NO. SEE CHART

MM DIMENSIONS IN METRIC DO NOT SCALE DRAWING

8

7

6

5

4

3

2

1

F

E

D

C

B

TIN PLATED PHOSPHOR BRONZE	(0.9) .035	(4.5) .177	(3.6) .142	(0.6) .024	(2.7) .106	(2.3) .091	∅ (3.1) .122 MAX.	# 16	39-00-0084	5558 PBT3L	LOOSE
	(0.6) .024	(2.3) .091	(2.3) .091	(0.4) .016	(1.65) .065	(1.8) .071	∅ (0.9-1.8) .035-.071	#22-28	-0083	PBT3	CHAIN
	(0.9) .035	(4.5) .177	(3.6) .142	(0.5) .020	(2.3) .091	(1.9) .075	∅ (1.3-3.1) .051-.122	# 18-24	-0068	PBT2L	LOOSE
TIN OVER COPPER PLATED BRASS	(0.6) .024	(2.3) .091	(2.3) .091	(0.4) .016	(1.65) .065	(1.8) .071	∅ (0.9-1.8) .035-.071	#22-28	-0067	PBT2	CHAIN
	(0.9) .035	(4.5) .177	(3.6) .142	(0.5) .020	(2.3) .091	(1.9) .075	∅ (1.3-3.1) .051-.122	# 18-24	-0062	PBTL	LOOSE
	(0.9) .035	(4.5) .177	(3.6) .142	(0.6) .024	(2.7) .106	(2.3) .091	∅ (3.1) .122 MAX.	# 16	-0061	PBT	CHAIN
MATERIAL	F	E	D	C	B	A	INS. RANGE	WIRE RANGE	EDP NO.	ENG. NO.	FORM

材料 MATERIAL	SEE CHART	moLEX MOLEX-JAPAN CO.,LTD. 日本モレックス株式会社
THICKNESS : (0.203)/.008		
仕上げ FINISH	SEE CHART	EDP. NO.
適用電線範囲 WIRE RANGE	SEE CHART	SEE CHART
被覆外径 INS. RANGE	SEE CHART	ENG. NO. SHEET 2 OF 2 REV SD-5558**** K
DRAWN BY 9/3/02 H.HIRAMOTO	CHK'D BY 9/7/02 K.T.S.KUNISHI	TITLE 名称 NEW MINI. FIT CONN. CRIMP PIN
APP'D BY 9/7/02 M.FUKUSHIMA	尺度 SCALE 10 - 1	

角度 ANGLE	+3°
30 以上 OVER	+0.3
10 以上 30 未満 UNDER	+0.25
10 未満 UNDER	+0.2
一般公差 GENERAL TOLERANCES	

REVISION RECORD
記号 LTR 変更内容 DR. CHK. 日付 DATE

THIS DRAWING CONTAINS INFORMATION THAT IS PROPRIETARY TO MOLEX(JAPAN) AND SHOULD NOT BE USED WITHOUT WRITTEN PERMISSION
本図面は日本モレックス(株)の所有する情報を含むので 当社の許可なく複製を禁止する。 MXJ-8

5558.S32 A