

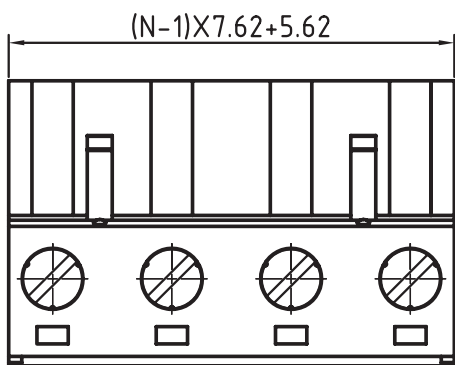
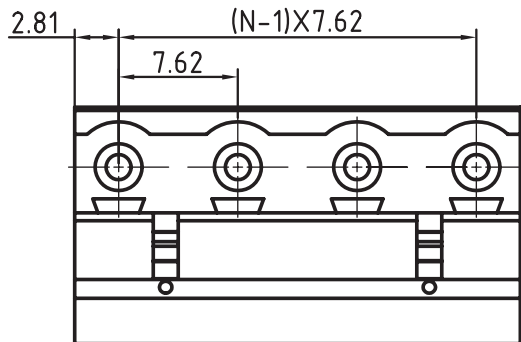
1

2

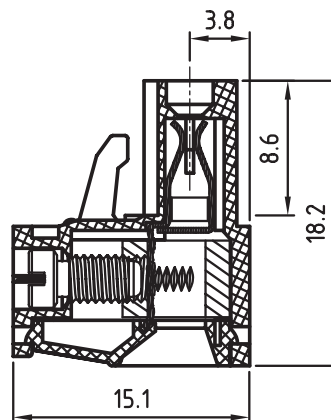
3

4

5



N=Number of contacts



TECHNICAL CHARACTERISTICS

MATERIAL  
 INSULATOR: PA 66  
 FLAMABILITY RATING: UL94-V0  
 COLOR: GREEN  
 METAL HOUSING: BRASS (CuZn)  
 TERMINAL SCREW: STEEL ZINC PLATING  
 TERMINAL SCREW SLOT TYPE: "-"  
 WIRE GUARD: PhBz TIN PLATED

ENVIRONMENTAL  
 OPERATING TEMPERATURE: -40 UP TO 105°C  
 COMPLIANCE: LEAD FREE AND ROHS

ELECTRICAL  
 CURRENT RATING: 20A  
 WORKING VOLTAGE: 300VAC  
 WITHSTANDING VOLTAGE: 1.6KV  
 CONTACT RESISTANCE: 20 mOhm max

MECHANICAL  
 SOLID WIRE: 24-12 AWG / 0.2-3.0MM<sup>2</sup>  
 STRANDED WIRE: 24-12 AWG / 0.2-3.0MM<sup>2</sup>  
 TORQUE: □ □ 5.0Lb-In / 0.56Nm

WIRE STRIPE LENGTH: 7-8MM  
 SCREW: M3.0  
 PITCH: 7.62MM

PACKAGING: BOX

SERIE 3514

CERTIFICATION



A

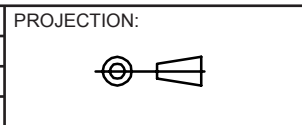
B

C

D

RoHS Compliant

G			
F			
E			
D			
C			
B			
A	05-NOV-08	PDF	JP
REV	DATE	FILE	BY



GENERAL TOLERANCE  
 .X = +/- 0.2  
 .XX = +/- 0.15

DESCRIPTION: SERIE 3514 - 7.62MM VERTICAL CABLE ENTRY PLUG  
 3.0MM<sup>2</sup> WIRES WR-TBL

APPROVAL: RJ

UNIT: MM  
 SCALE:  
 SHEET: 1/1  
 DRAW: MARVIN

WERI PART NO: 691 351 400 0xx

SIZE  
**A4**