

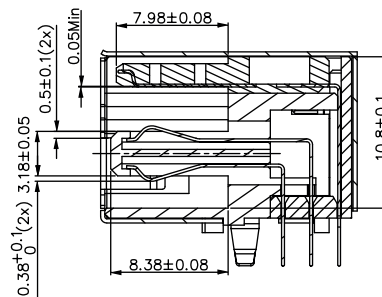
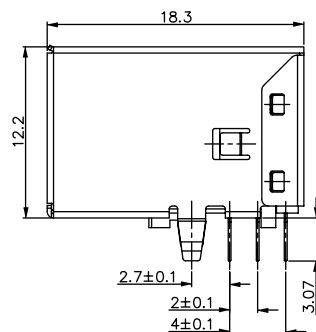
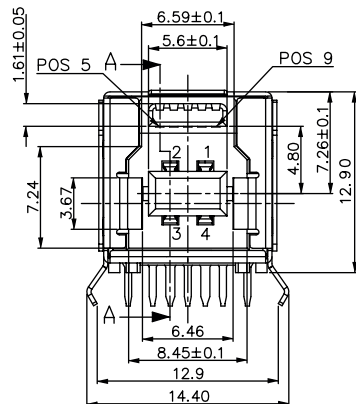
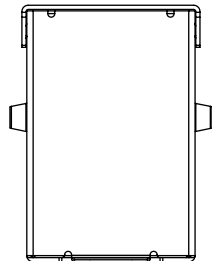
1

2

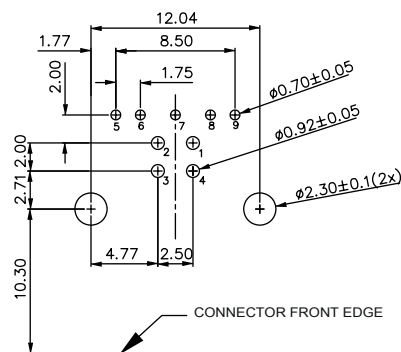
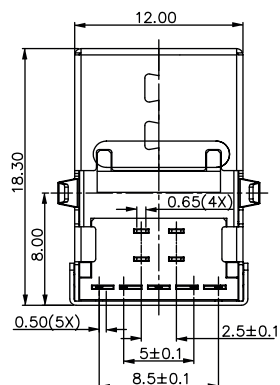
3

4

5



SECTION A - A



PCB LAYOUT - COMPONENT VIEW

Pin NUMBER	SIGNAL NAME
1	VBUS
2	D-
3	D+
4	GND
5	StdB_SSTX-
6	StdB_SSTX+
7	GND_DRAIN
8	StdB_SSRX-
9	StdB_SSRX+
Shell	Shield

TECHNICAL CHARACTERISTICS

MATERIAL
 INSULATOR: LCP
 FLAMABILITY RATING: UL94-V0
 COLOR: BLUE
 CONTACT MATERIAL: PHOSPHORE BRONZE
 CONTACT TYPE: STAMPED
 CONTACT PLATING: UNDERPLATE 1.27 to 2.54 μ m Ni
 CONTACT AREA 0.76 μ m Gold
 SOLDER TAIL AREA 2.54 to 5.08 μ m Matt Tin
 SHIELDING: BRASS Ni PLATED

ENVIRONMENTAL
 OPERATING TEMPERATURE: -20 up to +85°C
 COMPLIANCE: RoHS & LEAD FREE AS PER DIRECTIVE 2002/95/EC
 HALOGEN FREE COMPLIANT AS PER IEC 61249-2-21

ELECTRICAL
 CURRENT RATING:
 - PIN 1 & PIN 4 (Vbus & corresponding ground PIN) 1.8A Max
 - OTHER PINS 0.25 A min
 WORKING VOLTAGE: 30Vac
 DIELECTRIC WITHSTANDING VOLTAGE: 100Vac/min
 INSULATION RESISTANCE: > 100M Ω
 CONTACT RESISTANCE:
 - PIN 1 & PIN 4: 30m Ω Max
 - OTHER PINS: 50m Ω Max
 IMPEDANCE: 90 Ω +/- 15 Ω @ 50ps RISE TIME (20~80%)

QUALITY CLASS: 5000 MATING CYCLES

STANDARD
 CERTIFIED: E323964 / MODEL NUMBER 692221030100

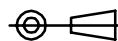
MECHANICAL
 INSERTION FORCE: 35.0N Max
 EXTRACTION FORCE: 10.0N min
 QUALITY CLASS: 5000 MATING CYCLES

SOLDERING
 WAVE SOLDERING ONLY AS PER JEDEC J-STD-020D

PACKAGING
 TRAY

RoHS Compliant

PROJECTION:



GENERAL TOLERANCE

.X = +/- 0.2

.XX = +/- 0.15



APPROVAL: RJ

UNIT: MM

DESCRIPTION: USB 3.0 HORIZONTAL TYPE B

SIZE

10-MAY-11

UL

GG

SCALE:

WERI PART NO: 692 221 030 100

A4

30-SEP-10

PDF

JP

SHEET: 1/1

DATE

FILE

BY

DRAW: JOE