

# Metal Shaft Potentiometer 27mm Size Metal Shaft Type

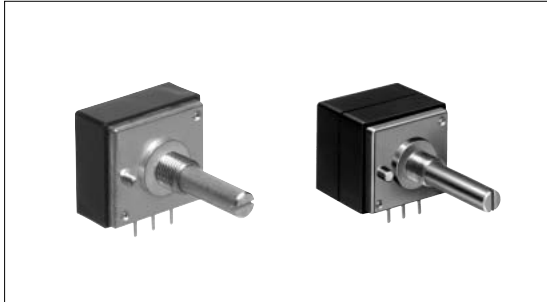
RK27 Series



High performance potentiometer with excellent operational feel.

Rotary Potentiometers

Slide Potentiometers



## Typical Specifications

Items	Specifications
Total resistance tolerance	± 20%
Maximum operating voltage	30V AC
Total rotational angle	300 ± 3 °
Rotational torque	8 to 35mN·m
Operating life	15,000cycles
Operating temperature range	- 10 to + 70

Metal Shaft

Insulated Shaft

Knob Operating

## Product Line

Number of resistor elements	Mounting direction	Shaft type	Length of the shaft (mm)	Center detent	Total resistance (k )	Resistance taper	Minimum order unit ( pcs. )	Products No.	Draw ing No.
Single-unit	Horizontal type	Slotted	25	31	100	15A	100	RK2711120026	1
				Without				RK271111001T	
20			25					RK27112A00AK	2
Flat		20						RK27112A00CC	
		25		RK27112A0A16				3	
Dual-unit		RK27112A00B9							

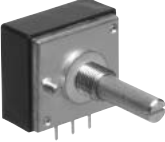
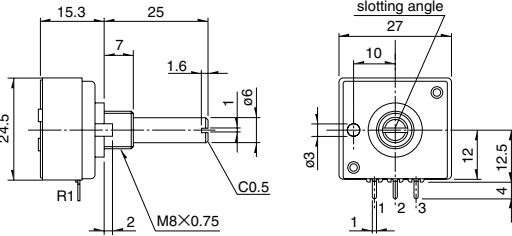
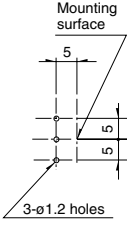
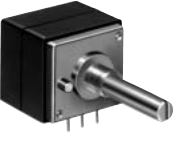
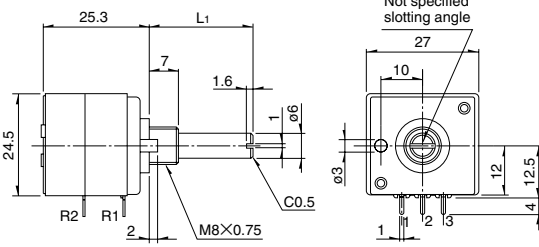
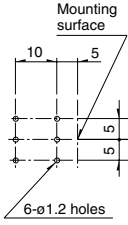

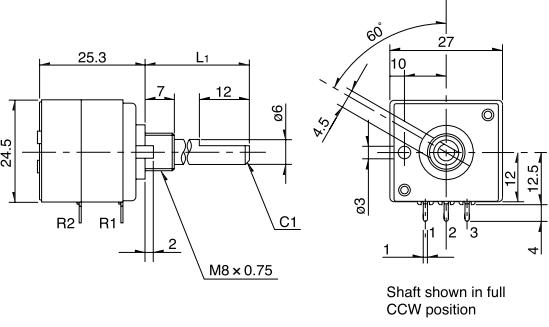
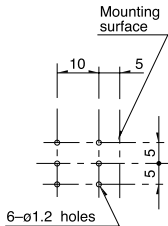
## Note

Products other than those listed in above products are also available. Please contact us for details.

Refer to P.356 for product varieties.

Dimensions

Unit:mm

No.	Photo	Style	PC board mounting hole dimensions (Viewed from mounting side)
1	<p>Single-shaft, single-unit RK27111</p> 		
2	<p>Single-shaft, dual-unit RK27112</p> 	<p>L<sub>1</sub> 20 25</p> 	
3	<p>Single-shaft, dual-unit RK27112</p> 	<p>L<sub>1</sub> 20 25</p> 	

## Product Varieties

In addition to the recommended products, the following specifications can also be accommodated.

### Products Specification

Type	Model	Mounting height (mm)	Detent variety	Gang error
Single-shaft, single-unit	RK27111	12.5	Center 21 31 41	_____ - 60dB to 0dB within 3dB - 80dB to - 60dB within 5dB possible depending on total resistance and taper.
Single-shaft, dual-unit	RK27112			
Single-shaft, quad-unit	RK27114			

### Total Resistance Variety

Total resistance(k )	5	10	20	50	100	250
----------------------	---	----	----	----	-----	-----

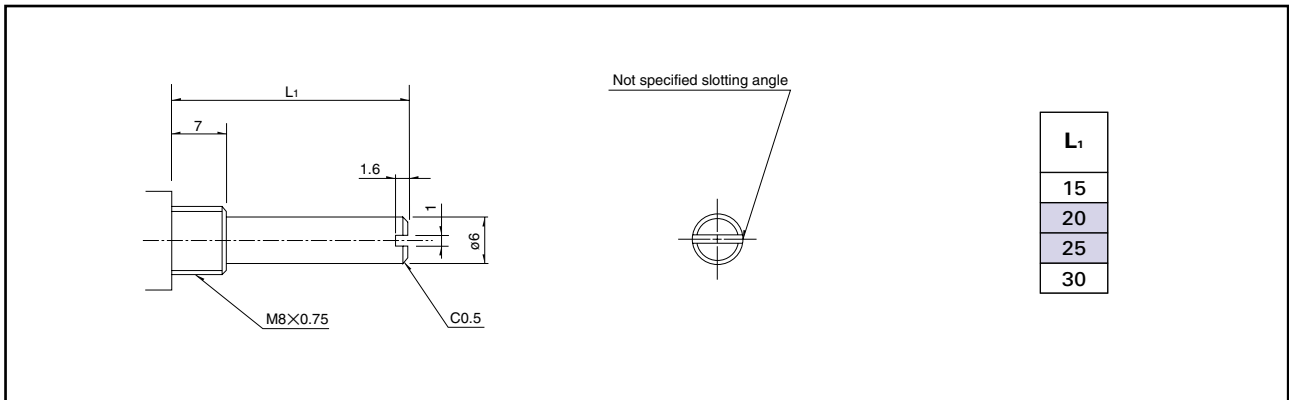
### Resistance Taper

Resistance taper	15A	3B
------------------	-----	----

### Dimensions of Shaft

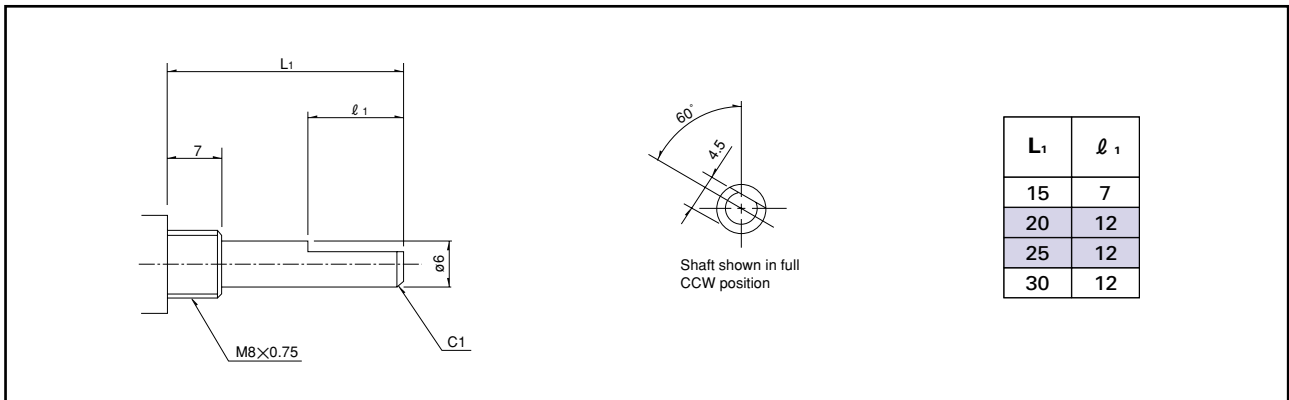
#### 1 Slotted type

Unit:mm



#### 2 Flat type

Unit:mm



### Note

marked are specifications recommended by ALPS.

Refer to P.363 for attached parts.  
Refer to P.357, 502 for resistance taper.

# Orders Other Than Recommended Products

When ordering product varieties that are not listed in the Product Line, please specify by referring to the below example.

## Sample Part Number

**R K 2 7 1 1 2 A 0** — **S 2 5** — **C 0** — **A 1 0 4**

### Model type

Code	Model type
111	Single unit
112	Single unit, with detent
12A	Dual unit for vol.

### Shaft type

Code	Shaft type
F	Flat
S	Slotted

### Length of the shaft (L, X mm)

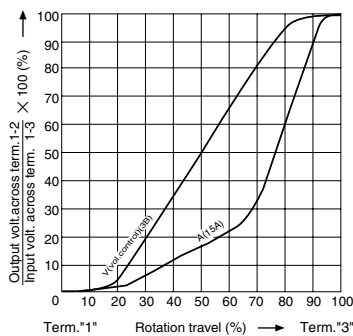
Code	Length of the shaft
15	15
20	20
25	25
30	30

### Detent

Code	Detent
C0	Without
C1	Center
21	21
31	31
41	41

### Resistance taper

Code	Resistance taper
A	15A
V	3B



### Total resistance

Code	Total resistance (kΩ)	Code	Total resistance (kΩ)
502	5	503	50
103	10	104	100
203	20	254	250


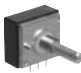



### Note

marked are specifications recommended by ALPS.

Rotary Potentiometers  
Slide Potentiometers

Metal Shaft  
Insulated Shaft  
Knob Operating

## List of Varieties

Type	20mm size metal shaft	27mm size metal shaft	50mm size metal shaft high-quality-audio	Rotary motor-driven		
Number of drive shafts	Single-shaft					
Model	RK203 / EC20A	RK2711	RK5011 A	RK1681 / MG0	RK2711 MC0	
Photo						
Fixing method of bushing	The bushing can be fastened by use of screws	Bushing screw clamp	The bushing can be fastened by use of screws			
Terminal mounting	Vertical type	Horizontal type				
Attached switch	Without					
Gang error applicable to Dual-unit parts for audio volume control purposes	—	- 60dB to 0dB 3dB max.	- 100dB to 0dB 2dB max.	- 40dB to 0dB 3dB max.	- 60dB to 0dB 3dB max.	
Solder heat resistance	Manual soldering	300 max. 3s max.	350 max. 5s max.	350 ± 10 , 5 <sup>+1</sup> s	350 max. 3s max. Motor terminal: 350 <sup>0</sup> max 2s max.	
	Dip soldering	260 ± 5 , 5 ± 1s	—	260 ± 5 , 5 ± 1s	—	
	Reflow soldering	—				
Operating temperature range	- 30 to + 80		- 10 to + 70			
Electrical performance	Rated power	0.05W		0.1W	0.05W	
	Residual resistance	—	R 10k 20 max. 10k < R 50k 30 max. 50k < R Nominal total resistance of 0.1% or less	—	R 10k 20 max. 10k < R 50k 30 max. 50k < R Nominal total resistance of 0.1% or less	
	Maximum attenuation (Volume control)	—	5k R < 10k 70dB min. 10k R < 50k 80dB min. 50k R < 100k 90dB min. 100k R 100dB min.	120dB min.	5k R < 10k 70dB min. 10k R < 50k 80dB min. 50k R < 100k 90dB min. 100k R 100dB min.	
	Insulation resistance	100M min. 250V DC	100M min. 500V DC		100M min. 250V DC	100M min. 500V DC
	Voltage proof	300V AC for 1minute	500V AC for 1minute		300V AC for 1minute	500V AC for 1minute
Mechanical performance	Stopper strength(N·m)	0.5	0.9	1.5	0.9	
	Push-pull strength	100N max.		150N max.	100N max.	
	Vibration	10 to 55 to 10Hz/min., the amplitude is 1.5mm for all the frequencies, in the 3 direction of X, Y and Z and for 2 hours respectively				
Environmental performance	Cold	- 40 ± 2 for 192h	- 30 ± 3 for 96h	- 20 ± 3 for 240h	- 20 ± 2 for 96h	- 30 ± 3 for 96h
	Dry heat	85 ± 2 for 192h	70 ± 2 for 96h	70 ± 2 for 240h	70 ± 2 for 96h	
	Damp heat	60 ± 3 , 90 to 95%RH for 240h	40 ± 2 , 90 to 95%RH for 96h	60 ± 2 , 90 to 95%RH for 240h	40 ± 2 , 90 to 95%RH for 96h	
Page	352	354	358	360		

Metal Shaft Potentiometers Attached Parts .....	363
Metal Shaft Potentiometers Cautions .....	364, 365

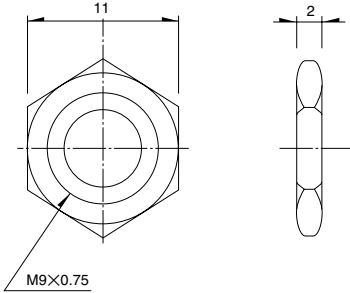
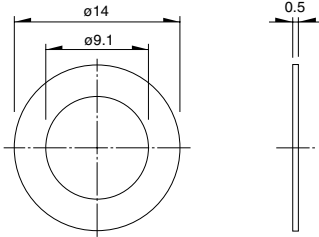
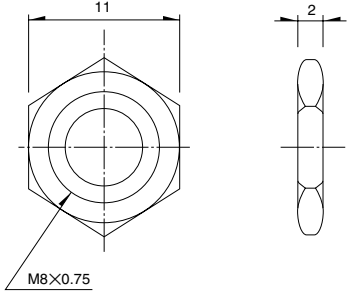
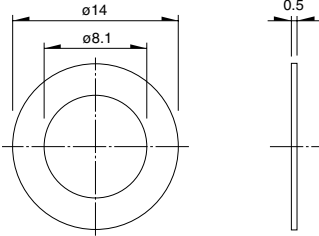
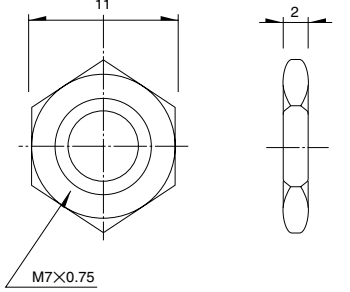
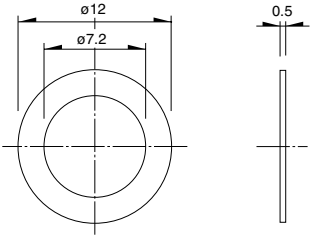
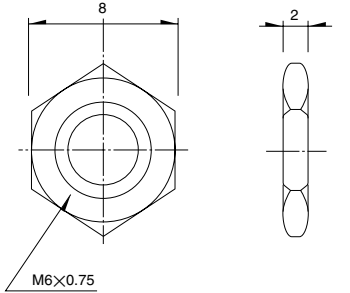
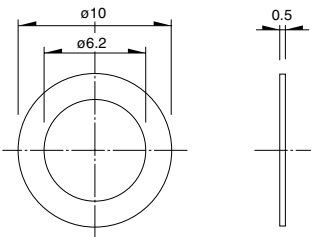
Rotary Potentiometers  
Slide Potentiometers

Metal Shaft  
Insulated Shaft  
Knob Operating

## Attached Parts

The following parts are included with the product.

Unit:mm

Applicable products	Bearing screw diameter	Hexagonal nut	Flat washer
<p>RK09L RK168 RK097 RK203</p>	<p>M9</p>		
<p>RK271</p>	<p>M8</p>		
<p>RK097 RK098 RK163</p>	<p>M7</p>		
<p>RK097 RK098</p>	<p>M6</p>		

Rotary Potentiometers  
Slide Potentiometers

Metal Shaft  
Insulated Shaft  
Knob Operating