

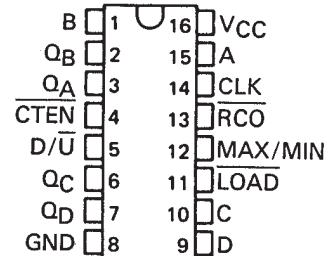
# SN54190, SN54191, SN54LS190, SN54LS191, SN74190, SN74191, SN74LS190, SN74LS191 SYNCHRONOUS UP/DOWN COUNTERS WITH DOWN/UP MODE CONTROL

SDLS072 – DECEMBER 1972 – REVISED MARCH 1988

- Counts 8-4-2-1 BCD or Binary
- Single Down/Up Count Control Line
- Count Enable Control Input
- Ripple Clock Output for Cascading
- Asynchronously Presetable with Load Control
- Parallel Outputs
- Cascadable for n-Bit Applications

SN54190, SN54191, SN54LS190,  
SN54LS191 . . . J PACKAGE  
SN74190, SN74191 . . . N PACKAGE  
SN74LS190, SN74LS191 . . . D OR N PACKAGE

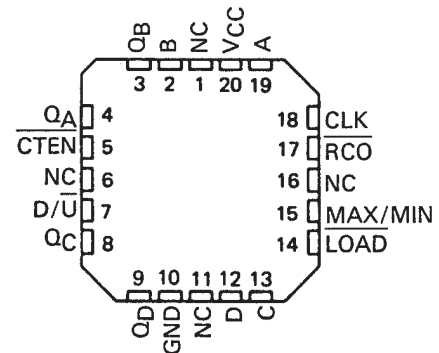
(TOP VIEW)



TYPE	AVERAGE PROPAGATION DELAY	TYPICAL MAXIMUM CLOCK FREQUENCY	TYPICAL POWER DISSIPATION
'190,'191	20ns	25MHz	325mW
'LS190,'LS191	20ns	25MHz	100mW

SN54LS190, SN54LS191 . . . FK PACKAGE

(TOP VIEW)



NC - No internal connection

## description

The '190, 'LS190, '191, and 'LS191 are synchronous, reversible up/down counters having a complexity of 58 equivalent gates. The '191 and 'LS191 are 4-bit binary counters and the '190 and 'LS190 are BCD counters. Synchronous operation is provided by having all flip-flops clocked simultaneously so that the outputs change coincident with each other when so instructed by the steering logic. This mode of operation eliminates the output counting spikes normally associated with asynchronous (ripple clock) counters.

The outputs of the four master-slave flip-flops are triggered on a low-to-high transition of the clock input if the enable input is low. A high at the enable input inhibits counting. Level changes at the enable input should be made only when the clock input is high. The direction of the count is determined by the level of the down/up input. When low, the counter count up and when high, it counts down. A false clock may occur if the down/up input changes while the clock is low. A false ripple carry may occur if both the clock and enable are low and the down/up input is high during a load pulse.

These counters are fully programmable; that is, the outputs may be preset to either level by placing a low on the load input and entering the desired data at the data inputs. The output will change to agree with the data inputs independently of the level of the clock input. This feature allows the counters to be used as modulo-N dividers by simply modifying the count length with the preset inputs.

The clock, down/up, and load inputs are buffered to lower the drive requirement which significantly reduces the number of clock drivers, etc., required for long parallel words.

Two outputs have been made available to perform the cascading function: ripple clock and maximum/minimum count. The latter output produces a high-level output pulse with a duration approximately equal to one complete cycle of the clock when the counter overflows or underflows. The ripple clock output produces a low-level output pulse equal in width to the low-level portion of the clock input when an overflow or underflow condition exists. The counters can be easily cascaded by feeding the ripple clock output to the enable input of the succeeding counter if parallel clocking is used, or to the clock input if parallel enabling is used. The maximum/minimum count output can be used to accomplish look-ahead for high-speed operation.

Series 54' and 54LS' are characterized for operation over the full military temperature range of  $-55^{\circ}\text{C}$  to  $125^{\circ}\text{C}$ ; Series 74' and 74LS' are characterized for operation from  $0^{\circ}\text{C}$  to  $70^{\circ}\text{C}$ .

PRODUCTION DATA information is current as of publication date. Products conform to specifications per the terms of Texas Instruments standard warranty. Production processing does not necessarily include testing of all parameters.

 **TEXAS  
INSTRUMENTS**

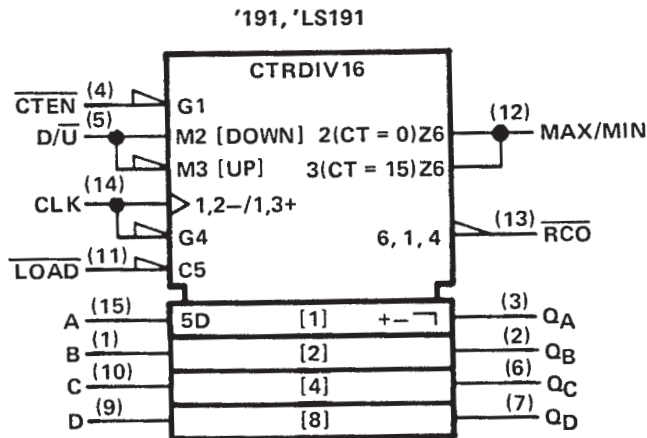
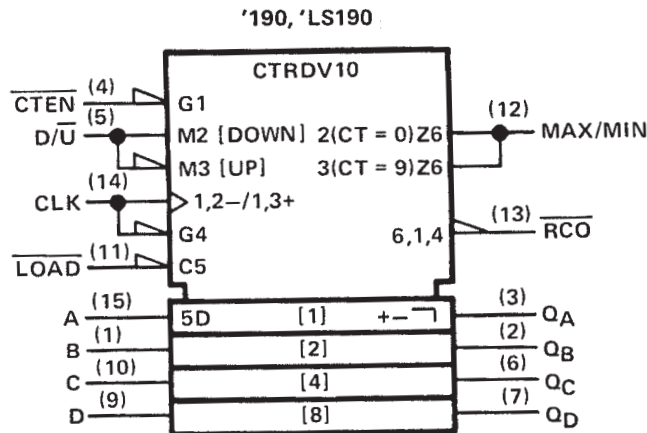
POST OFFICE BOX 655303 • DALLAS, TEXAS 75265

Copyright © 1988, Texas Instruments Incorporated

SN54190, SN54191, SN54LS190, SN54LS191,  
 SN74190, SN74191, SN74LS190, SN74LS191  
**SYNCHRONOUS UP/DOWN COUNTERS WITH DOWN/UP MODE CONTROL**

SDLS072 – DECEMBER 1972 – REVISED MARCH 1988

logic symbols†



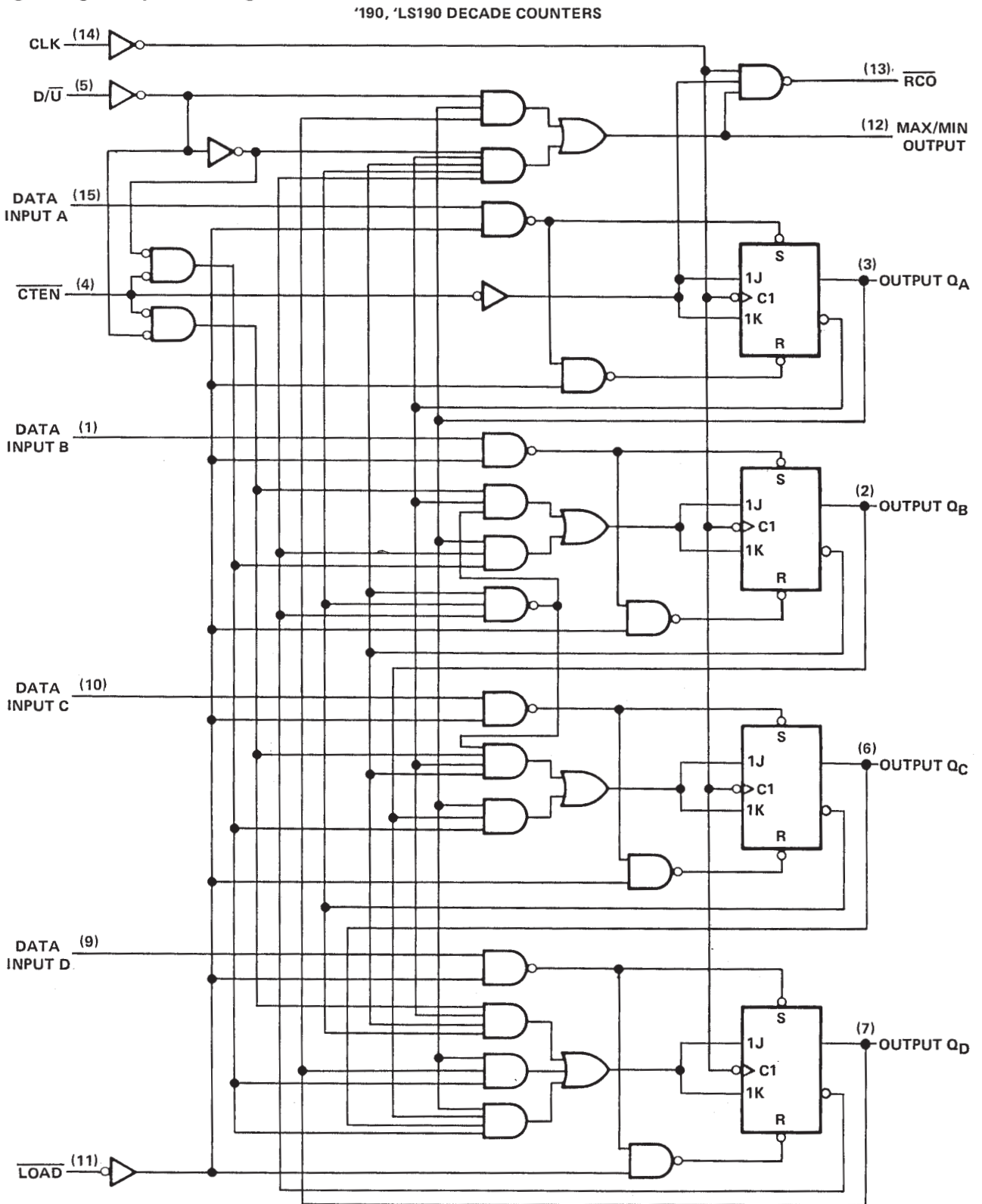
† These symbols are accordance with ANSI/IEEE Std 91-1984 and IEC Publication 617-12.  
 Pin numbers shown are for D, J, and N packages.

# SN54190, SN54LS190, SN74190, SN74LS190

## SYNCHRONOUS UP/DOWN COUNTERS WITH DOWN/UP MODE CONTROL

SDLS072 – DECEMBER 1972 – REVISED MARCH 1988

logic diagram (positive logic)



Pin numbers shown are for D, J, and N packages.



POST OFFICE BOX 655303 • DALLAS, TEXAS 75265

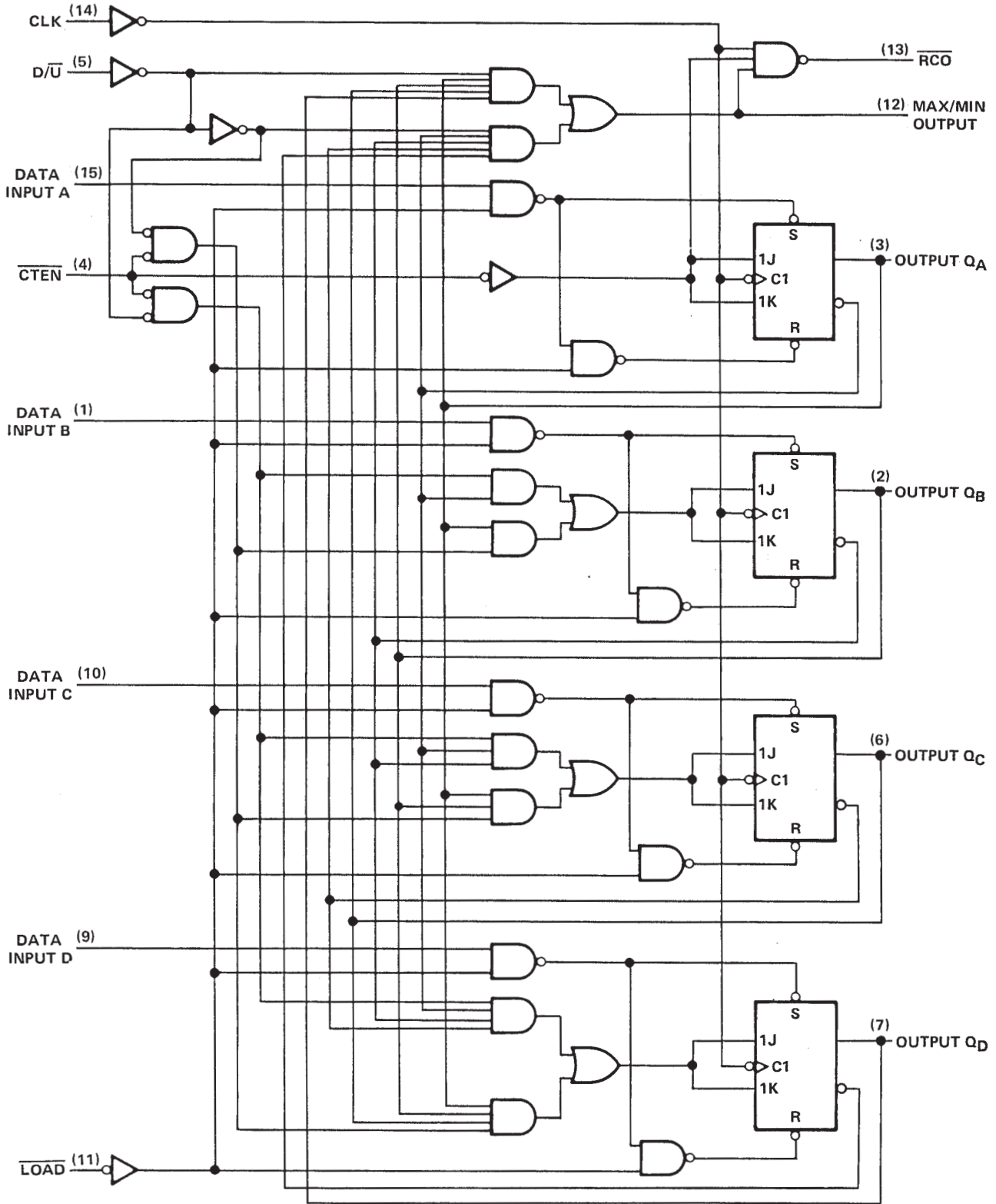
# SN54191, SN54LS191, SN74191, SN74LS191

## SYNCHRONOUS UP/DOWN COUNTERS WITH DOWN/UP MODE CONTROL

SDLS072 – DECEMBER 1972 – REVISED MARCH 1988

### logic diagram (positive logic)

'191, 'LS191 BINARY COUNTERS



Pin numbers shown are for D, J, and N packages.



POST OFFICE BOX 655303 • DALLAS, TEXAS 75265

# SN54190, SN54LS190, SN74190, SN74LS190 SYNCHRONOUS UP/DOWN COUNTERS WITH DOWN/UP MODE CONTROL

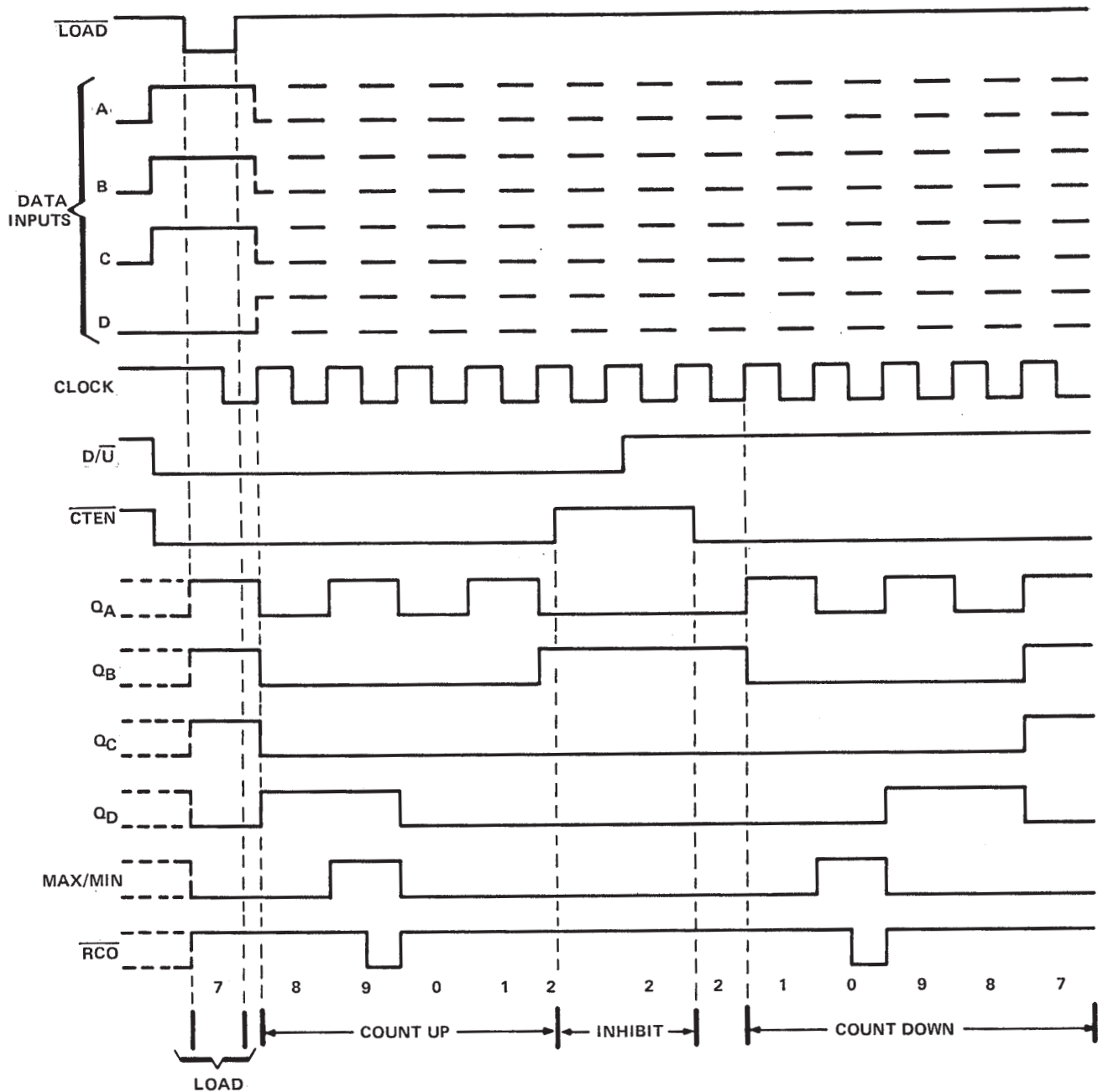
SDLS072 – DECEMBER 1972 – REVISED MARCH 1988

## '190, 'LS190 DECADE COUNTERS

### typical load, count, and inhibit sequences

Illustrated below is the following sequence:

1. Load (preset) to BCD seven.
2. Count up to eight, nine (maximum), zero, one, and two.
3. Inhibit.
4. Count down to one, zero (minimum), nine, eight, and seven.



# SN54191, SN54LS191, SN74191, SN74LS191 SYNCHRONOUS UP/DOWN COUNTERS WITH DOWN/UP MODE CONTROL

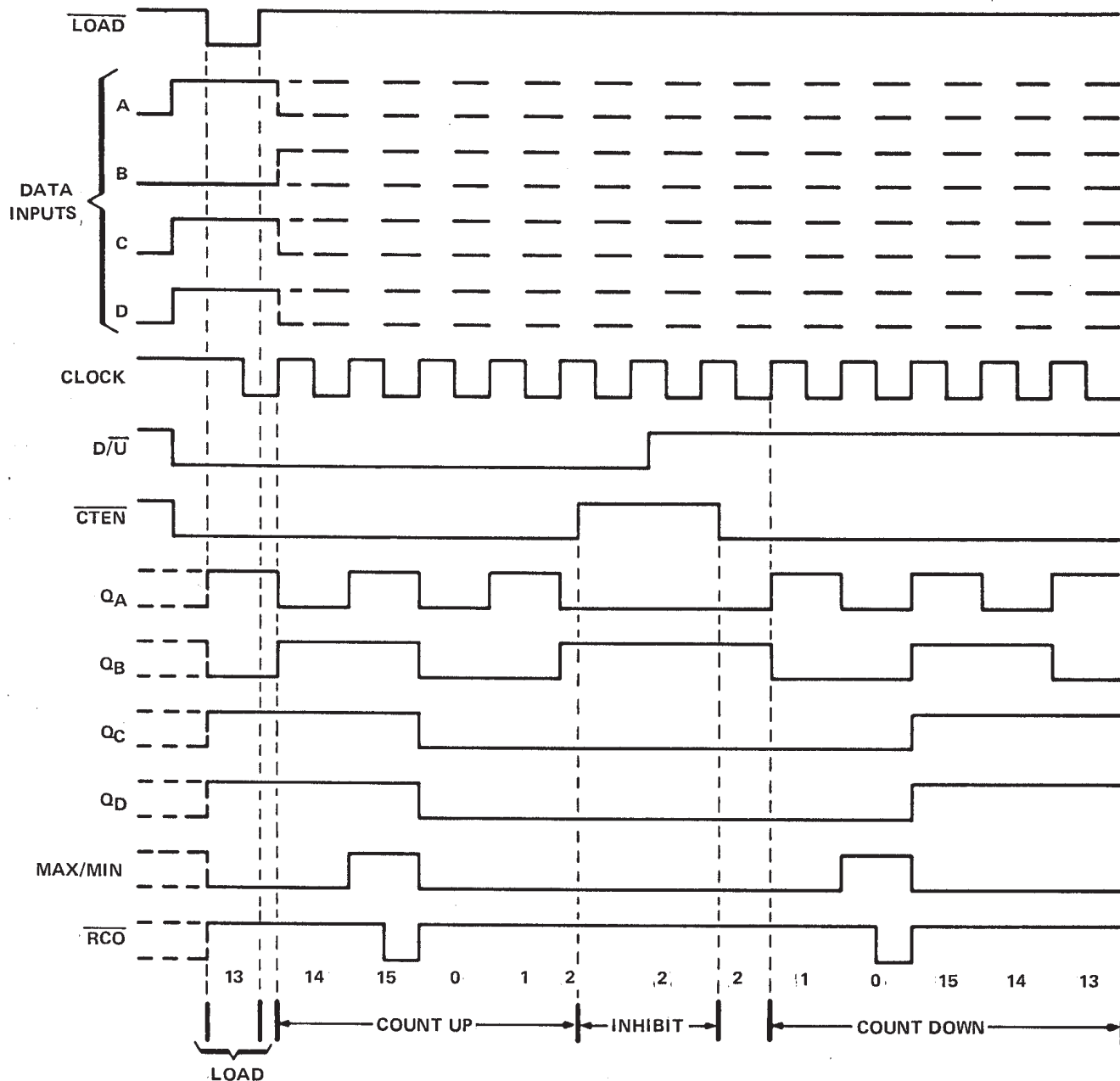
SDLS072 – DECEMBER 1972 – REVISED MARCH 1988

## '191, 'LS191 BINARY COUNTERS

typical load, count, and inhibit sequences

Illustrated below is the following sequence:

1. Load (preset) to binary thirteen.
2. Count up to fourteen, fifteen (maximum), zero, one, and two.
3. Inhibit.
4. Count down to one, zero (minimum), fifteen, fourteen, and thirteen.



# SN54190, SN54191, SN54LS190, SN54LS191, SN74190, SN74191, SN74LS190, SN74LS191 SYNCHRONOUS UP/DOWN COUNTERS WITH DOWN/UP MODE CONTROL

SDLS072 – DECEMBER 1972 – REVISED MARCH 1988

## absolute maximum ratings over operating free-air temperature range (unless otherwise noted)

Supply voltage, $V_{CC}$ (see Note 1)	7 V
Input voltage: SN54', SN74' Circuits	5.5 V
SN54LS', SN74LS' Circuits	7 V
Operating free-air temperature range: SN54', SN54LS' Circuits	-55°C to 125°C
SN74', SN74LS' Circuits	0°C to 70°C
Storage temperature range	-65°C to 150°C

NOTE 1: Voltage values are with respect to network ground terminal.

## recommended operating conditions

		SN54190, SN54191			SN74190, SN74191			UNIT
		MIN	NOM	MAX	MIN	NOM	MAX	
$V_{CC}$	Supply voltage	4.5	5	5.5	4.75	5	5.25	V
$I_{OH}$	High-level output current			-0.8			-0.8	mA
$I_{OL}$	Low-level output current			16			16	mA
$f_{clock}$	Input clock frequency	0		20	0		20	MHz
$t_{w(clock)}$	Width of clock input pulse	25			25			ns
$t_{w(load)}$	Width of load input pulse	35			35			ns
$t_{su}$	Setup time	Data, high or low (See Figure 1 and 2)		20	20		ns	
		Load inactive state		20	20			
$t_{hold}$	Data hold time	0			0		ns	
$T_A$	Operating free-air temperature	-55		125	0		70	°C

## electrical characteristics over recommended operating free-air temperature range (unless otherwise noted)

PARAMETER	TEST CONDITIONS†	SN54190, SN54191			SN74190, SN74191			UNIT	
		MIN	TYP‡	MAX	MIN	TYP‡	MAX		
$V_{IH}$	High-level input voltage	$V_{CC} = \text{MIN}$			2		2	V	
$V_{IL}$	Low-level input voltage	$V_{CC} = \text{MIN}$				0.8	0.8	V	
$V_{IK}$	Input clamp voltage	$V_{CC} = \text{MIN}, I_I = -12 \text{ mA}$				-1.5	-1.5	V	
$V_{OH}$	High-level output voltage	$V_{CC} = \text{MIN}, V_{IH} = 2 \text{ V}, V_{IL} = 0.8 \text{ V}, I_{OH} = -0.8 \text{ mA}$			2.4	3.4	2.4	3.4	V
$V_{OL}$	Low-level output voltage	$V_{CC} = \text{MIN}, V_{IH} = 2 \text{ V}, V_{IL} = 0.8 \text{ V}, I_{OL} = 16 \text{ mA}$			0.2	0.4	0.2	0.4	V
$I_I$	High-level input current at maximum input voltage	$V_{CC} = \text{MAX}, V_I = 5.5 \text{ V}$				1		1	mA
$I_{IH}$	High-level input current at any input except enable	$V_{CC} = \text{MAX}, V_I = 2.4 \text{ V}$				40		40	µA
$I_{IH}$	High-level input current at enable input					120		120	µA
$I_{IL}$	Low-level input current at any input except enable	$V_{CC} = \text{MAX}, V_I = 0.4 \text{ V}$				-1.6		-1.6	mA
$I_{IL}$	Low-level input current at enable input					-4.8		-4.8	mA
$I_{OS}$	Short-circuit output current§	$V_{CC} = \text{MAX}$			-20	-65	-18	-65	mA
$I_{CC}$	Supply current	$V_{CC} = \text{MAX}, \text{ See Note 2}$			65	99	65	105	mA

† For conditions shown as MAX or MIN, use appropriate value specified under recommended operating conditions.

‡ All typical values are at  $V_{CC} = 5 \text{ V}, T_A = 25^\circ\text{C}$ .

§ Not more than one output should be shorted at a time.

NOTE 2:  $I_{CC}$  is measured with all inputs grounded and all outputs open.



# SN54190, SN54191, SN74190, SN74191 SYNCHRONOUS UP/DOWN COUNTERS WITH DOWN/UP MODE CONTROL

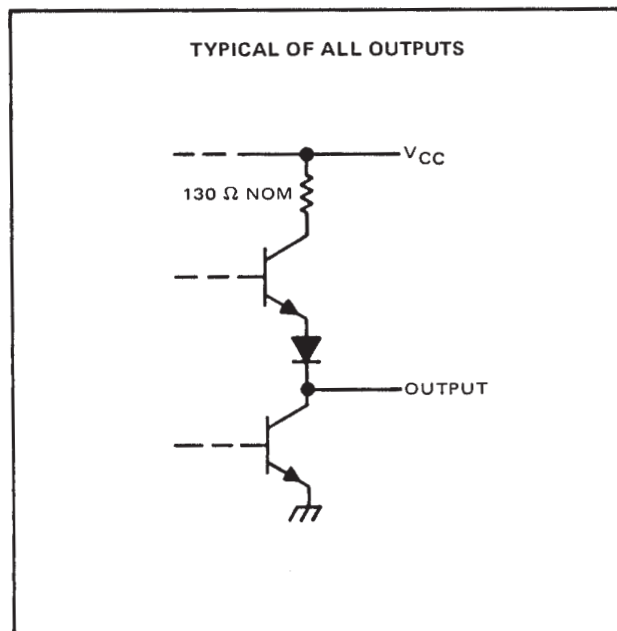
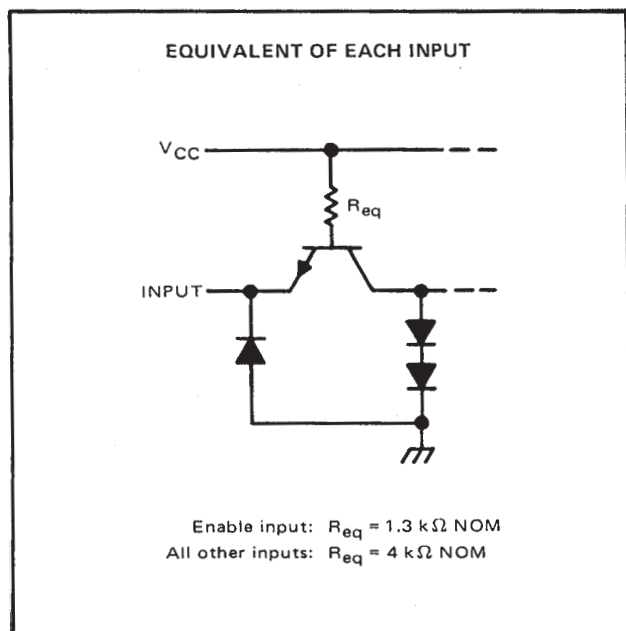
SDLS072 – DECEMBER 1972 – REVISED MARCH 1988

switching characteristics,  $V_{CC} = 5\text{ V}$ ,  $T_A = 25^\circ\text{C}$

PARAMETER†	FROM (INPUT)	TO (OUTPUT)	TEST CONDITIONS	'190, '191			UNIT
				MIN	TYP	MAX	
$f_{max}$			$C_L = 15\text{ pF}$ , $R_L = 400\ \Omega$ , See Figures 1 and 3 thru 7	20	25		MHz
$t_{PLH}$	$\overline{\text{Load}}$	$Q_A, Q_B, Q_C, Q_D$			22	33	ns
$t_{PHL}$					33	50	
$t_{PLH}$	Data A, B, C, D	$Q_A, Q_B, Q_C, Q_D$			14	22	ns
$t_{PHL}$					35	50	
$t_{PLH}$	CLK	$\overline{\text{RCO}}$			13	20	ns
$t_{PHL}$					16	24	
$t_{PLH}$	CLK	$Q_A, Q_B, Q_C, Q_D$			16	24	ns
$t_{PHL}$					24	36	
$t_{PLH}$	CLK	Max/Min			28	42	ns
$t_{PHL}$					37	52	
$t_{PLH}$	$D/\overline{U}$	$\overline{\text{RCO}}$			30	45	ns
$t_{PHL}$					30	45	
$t_{PLH}$	$D/\overline{U}$	Max/Min			21	33	ns
$t_{PHL}$					22	33	

†  $f_{max}$  = maximum clock frequency  
 $t_{PLH}$  = propagation delay time, low-to-high-level output  
 $t_{PHL}$  = propagation delay time, high-to-low-level output

## schematics of inputs and outputs





# SN54LS190, SN54LS191, SN74LS190, SN74LS191 SYNCHRONOUS UP/DOWN COUNTERS WITH DOWN/UP MODE CONTROL

SDLS072 – DECEMBER 1972 – REVISED MARCH 1988

## recommended operating conditions

		SN54LS190 SN54LS191			SN74LS190 SN74LS191			UNIT
		MIN	NOM	MAX	MIN	NOM	MAX	
V <sub>CC</sub>	Supply voltage	4.5	5	5.5	4.75	5	5.25	V
I <sub>OH</sub>	High-level output current			-0.4			-0.4	mA
I <sub>OL</sub>	Low-level output current			4			8	mA
f <sub>clock</sub>	Clock frequency	0		20	0		20	MHz
t <sub>w(clock)</sub>	Width of clock input pulse	25			25			ns
t <sub>w(load)</sub>	Width of load input pulse	35			35			ns
t <sub>su</sub>	Data setup time (See Figures 1 and 2)	20			20			ns
t <sub>su</sub>	Load inactive state setup time	30			30			ns
t <sub>h</sub>	Data hold time	5			5			ns
t <sub>h</sub>	Enable hold time	0			0			ns
t <sub>enable</sub>	Count enable time (see Note 3)	40			40			ns
T <sub>A</sub>	Operating free-air temperature	-55		125	0		70	°C

## electrical characteristics over recommended operating free-air temperature range (unless otherwise noted)

PARAMETER		TEST CONDITIONS <sup>†</sup>	SN54LS190 SN54LS191			SN74LS190 SN74LS191			UNIT
			MIN	TYP <sup>‡</sup>	MAX	MIN	TYP <sup>‡</sup>	MAX	
V <sub>IH</sub>	High-level input voltage		2			2		V	
V <sub>IL</sub>	Low-level input voltage				0.7			0.8	
V <sub>IK</sub>	Input clamp voltage	V <sub>CC</sub> = MIN, I <sub>I</sub> = -18 mA			-1.5			-1.5	
V <sub>OH</sub>	High-level output voltage	V <sub>CC</sub> = MIN, V <sub>IH</sub> = 2 V, V <sub>IL</sub> = V <sub>IL</sub> max, I <sub>OH</sub> = -400 μA	2.5	3.4		2.7	3.4	V	
V <sub>OL</sub>	Low-level output voltage	V <sub>CC</sub> = MIN, V <sub>IH</sub> = 2 V, V <sub>IL</sub> = V <sub>IL</sub> max			0.25	0.4	0.25	0.4	
							0.35	0.5	
I <sub>I</sub>	High-level input current at maximum input voltage	Enable			0.3			0.3	
		Others	V <sub>CC</sub> = MAX, V <sub>I</sub> = 7 V			0.1		0.1	
I <sub>IH</sub>	High-level input current	Enable			60			60	
		Others	V <sub>CC</sub> = MAX, V <sub>I</sub> = 2.7 V			20		20	
I <sub>IL</sub>	Low-level input current	Enable			-1.2			-1.2	
		Others	V <sub>CC</sub> = MAX, V <sub>I</sub> = 0.4 V			-0.4		-0.4	
I <sub>OS</sub>	Short-circuit output current <sup>§</sup>	V <sub>CC</sub> = MAX,	-20	-100	-20	-100	mA		
I <sub>CC</sub>	Supply current	V <sub>CC</sub> = MAX, See Note 2	20	35	20	35	mA		

<sup>†</sup>For conditions shown as MAX or MIN, use appropriate value specified under recommended operating conditions for the applicable device type.

<sup>‡</sup>All typical values are at V<sub>CC</sub> = 5 V, T<sub>A</sub> = 25°C.

<sup>§</sup>Not more than one output should be shorted at a time, and duration of the short-circuit should not exceed one second.

NOTES: 2. I<sub>CC</sub> is measured with all inputs grounded and all outputs open.

3. Minimum count enable time is the interval immediately preceding the rising edge of the clock pulse during which interval the count enable input must be low to ensure counting.



# SN54LS190, SN54LS191, SN74LS190, SN74LS191 SYNCHRONOUS UP/DOWN COUNTERS WITH DOWN/UP MODE CONTROL

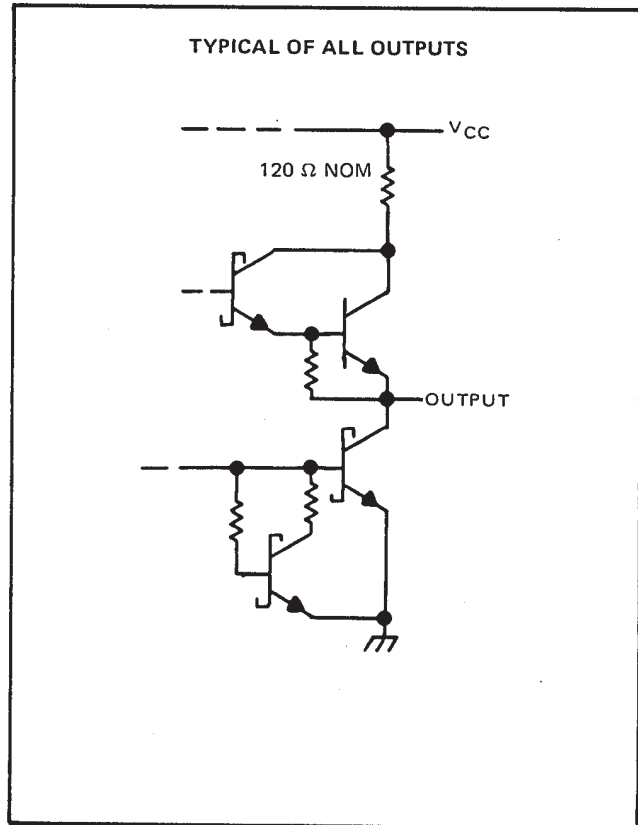
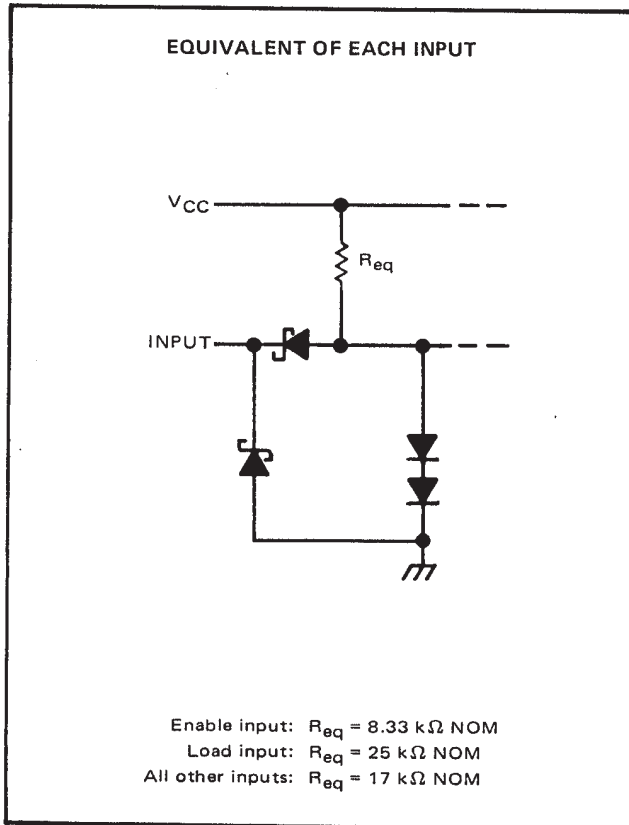
SDLS072 – DECEMBER 1972 – REVISED MARCH 1988

switching characteristics,  $V_{CC} = 5\text{ V}$ ,  $T_A = 25^\circ\text{C}$

PARAMETER†	FROM (INPUT)	TO (OUTPUT)	TEST CONDITIONS	'LS190, 'LS191			UNIT
				MIN	TYP	MAX	
$f_{max}$			$C_L = 15\text{ pF}$ , $R_L = 2\text{ k}\Omega$ , See Figures 1 and 3 thru 7	20	25		MHz
$t_{PLH}$	Load	$Q_A, Q_B, Q_C, Q_D$		22	33	ns	
$t_{PHL}$				33	50		
$t_{PLH}$	Data A, B, C, D	$Q_A, Q_B, Q_C, Q_D$		20	32	ns	
$t_{PHL}$				27	40		
$t_{PLH}$	CLK	$\overline{RCO}$		13	20	ns	
$t_{PHL}$				16	24		
$t_{PLH}$	CLK	$Q_A, Q_B, Q_C, Q_D$		16	24	ns	
$t_{PHL}$				24	36		
$t_{PLH}$	CLK	Max/Min		28	42	ns	
$t_{PHL}$				37	52		
$t_{PLH}$	$D/\overline{U}$	$\overline{RCO}$		30	45	ns	
$t_{PHL}$				30	45		
$t_{PLH}$	$D/\overline{U}$	Max/Min		21	33	ns	
$t_{PHL}$				22	33		
$t_{PLH}$	$\overline{CTEN}$	$\overline{RCO}$		21	33	ns	
$t_{PHL}$				22	33		

- †  $f_{max}$  ≡ maximum clock frequency
- $t_{PLH}$  ≡ propagation delay time, low-to-high-level output
- $t_{PHL}$  ≡ propagation delay time, high-to-low-level output

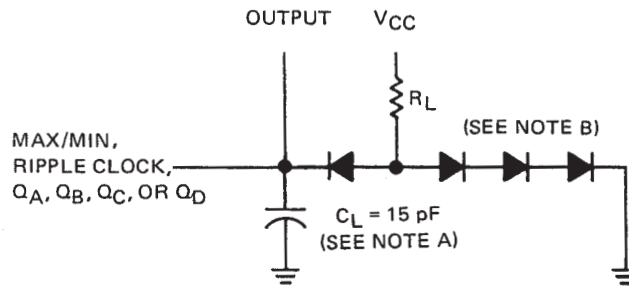
## schematics of inputs and outputs



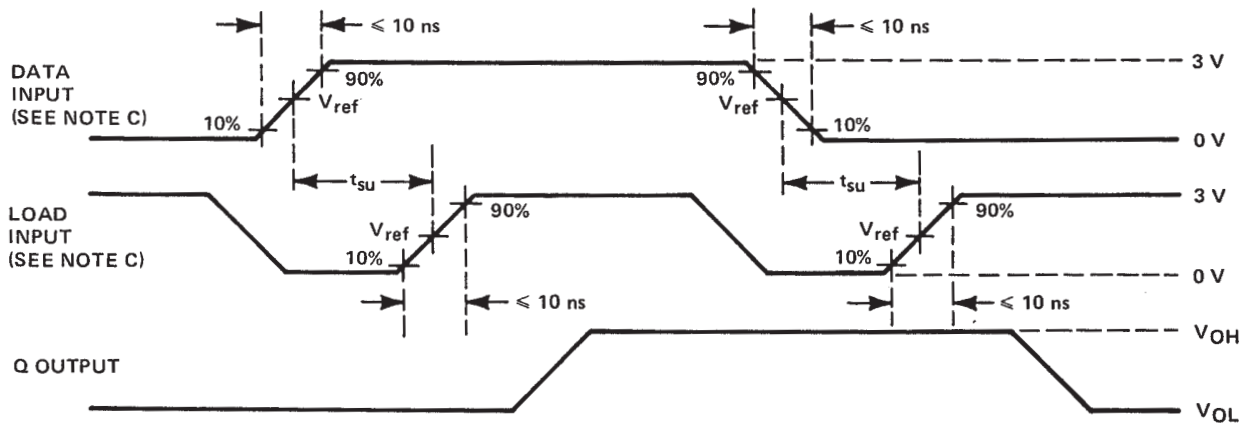
SN54190, SN54191, SN54LS190, SN54LS191,  
SN74190, SN74191, SN74LS190, SN74LS191  
**SYNCHRONOUS UP/DOWN COUNTERS WITH DOWN/UP MODE CONTROL**

SDLS072 - DECEMBER 1972 - REVISED MARCH 1988

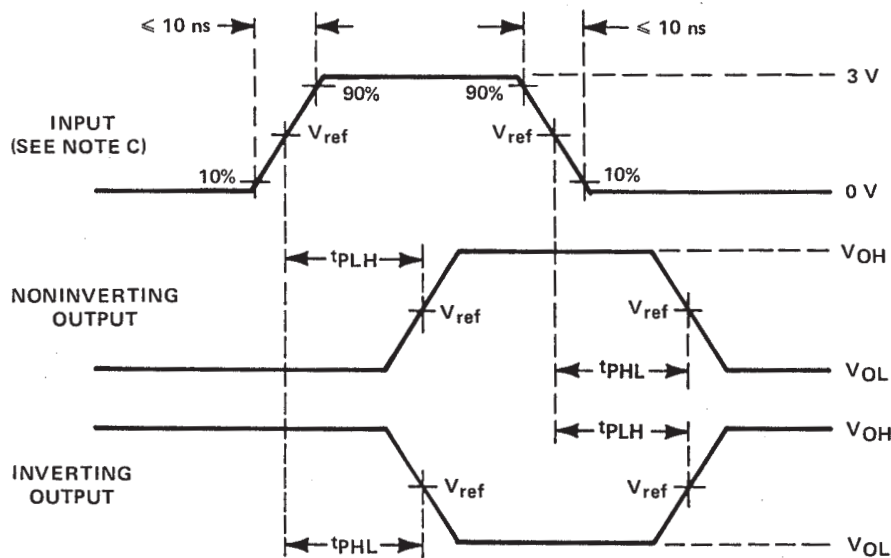
**PARAMETER MEASUREMENT INFORMATION**



**FIGURE 1—LOAD CIRCUIT  
FOR SWITCHING TIME MEASUREMENT**



**FIGURE 2—DATA SETUP TIME VOLTAGE WAVEFORMS**



See waveform sequences in figures 4 through 7 for propagation times from a specific input to a specific output. For simplification, pulse rise times, reference levels, etc., have not been shown in figures 4 through 7.

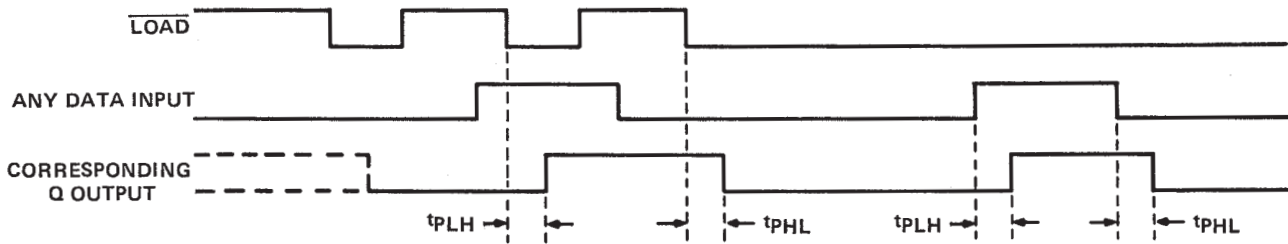
**FIGURE 3—GENERAL VOLTAGE WAVEFORMS FOR PROPAGATION TIMES**

- NOTES: A.  $C_L$  includes probe and jig capacitance.  
B. All diodes are 1N3064 or equivalent.  
C. The input pulses are supplied by generators having the following characteristics:  $Z_{out} = 50 \Omega$ , duty cycle  $\leq 50\%$ , PRR  $\leq 1\text{ MHz}$ .  
D.  $V_{ref} = 1.5\text{ V}$  for '190 and '191;  $1.3\text{ V}$  for 'LS190 and 'LS191.

SN54190, SN54191, SN54LS190, SN54LS191,  
 SN74190, SN74191, SN74LS190, SN74LS191  
 SYNCHRONOUS UP/DOWN COUNTERS WITH DOWN/UP MODE CONTROL

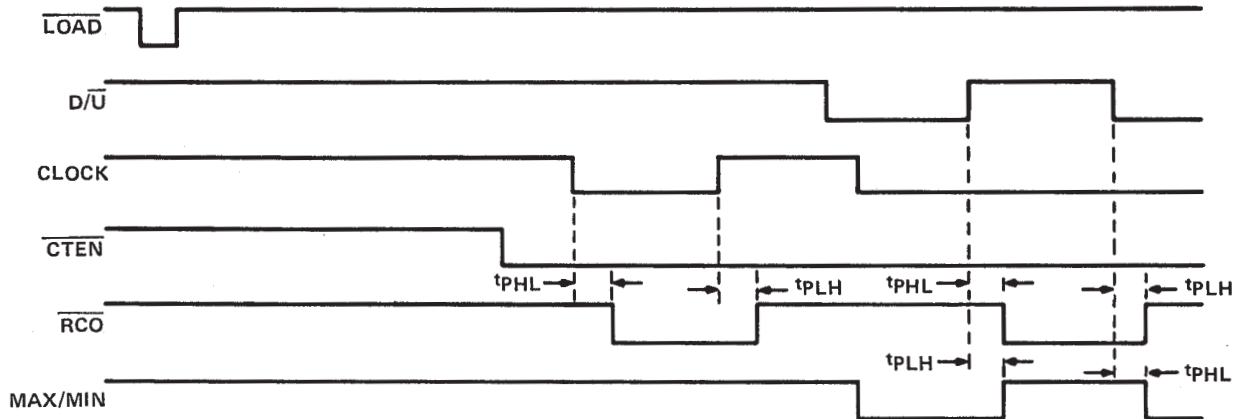
SDLS072 – DECEMBER 1972 – REVISED MARCH 1988

PARAMETER MEASUREMENT INFORMATION (continued)



NOTE E: Conditions on other inputs are irrelevant.

FIGURE 4—LOAD TO OUTPUT AND DATA TO OUTPUT



NOTE F: All data inputs are low.

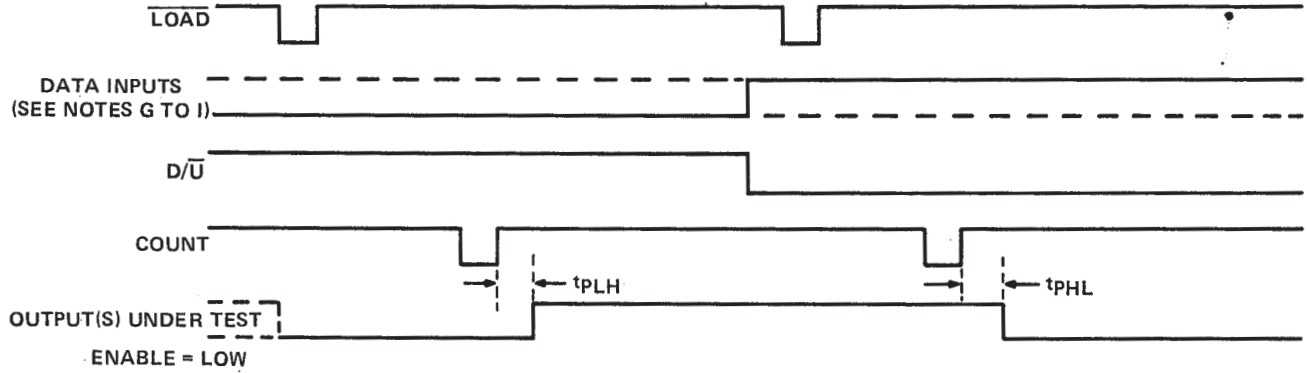
FIGURE 5—ENABLE TO RIPPLE CLOCK, CLOCK TO RIPPLE CLOCK, DOWN/UP TO RIPPLE CLOCK, AND DOWN/UP TO MAX/MIN

SN54190, SN54191, SN54LS190, SN54LS191,  
SN74190, SN74191, SN74LS190, SN74LS191  
**SYNCHRONOUS UP/DOWN COUNTERS WITH DOWN/UP MODE CONTROL**

SDLS072 - DECEMBER 1972 - REVISED MARCH 1988

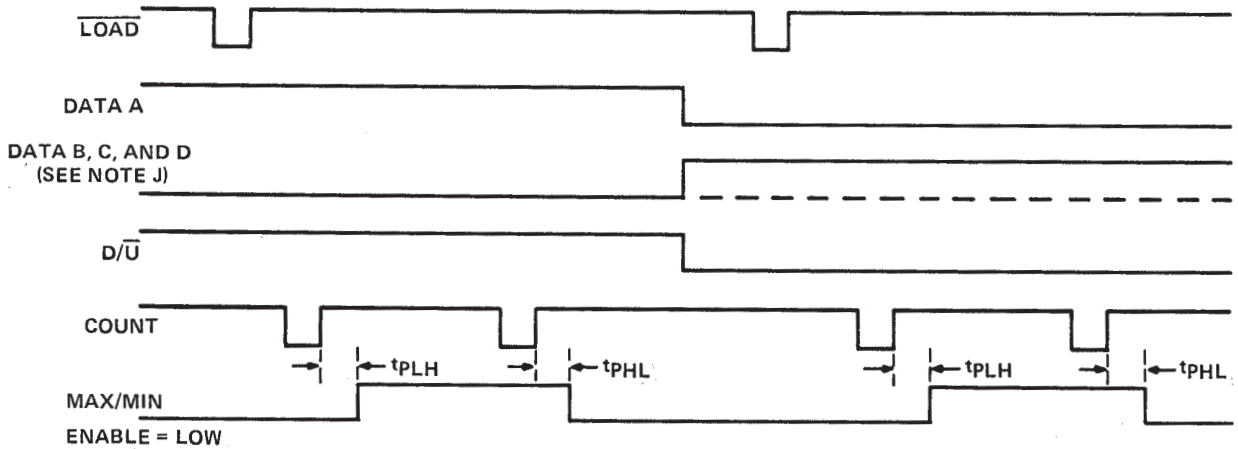
PARAMETER MEASUREMENT INFORMATION (continued)

switching characteristics (continued)



- NOTES: G. To test  $Q_A$ ,  $Q_B$ , and  $Q_C$  outputs of '190 and 'LS190: Data inputs A, B, and C are shown by the solid line. Data input D is shown by the dashed line.  
H. To test  $Q_D$  output of '190 and 'LS190: Data inputs A and D are shown by the solid line. Data inputs B and C are held at the low logic level.  
I. To test  $Q_A$ ,  $Q_B$ ,  $Q_C$ , and  $Q_D$  outputs of '191 and 'LS191: All four data inputs are shown by the solid line.

FIGURE 6-CLOCK TO OUTPUT



- NOTE J: Data inputs B and C are shown by the dashed line for the '190 and 'LS190 and the solid line for the '191 and 'LS191: Data input D is shown by the solid line for both devices.

FIGURE 7-CLOCK TO MAX/MIN



## TAPE AND REEL INFORMATION



### QUADRANT ASSIGNMENTS FOR PIN 1 ORIENTATION IN TAPE



\*All dimensions are nominal

Device	Package Type	Package Drawing	Pins	SPQ	Reel Diameter (mm)	Reel Width W1 (mm)	A0 (mm)	B0 (mm)	K0 (mm)	P1 (mm)	W (mm)	Pin1 Quadrant
SN74LS191DR	SOIC	D	16	2500	330.0	16.4	6.5	10.3	2.1	8.0	16.0	Q1

TAPE AND REEL BOX DIMENSIONS



\*All dimensions are nominal

Device	Package Type	Package Drawing	Pins	SPQ	Length (mm)	Width (mm)	Height (mm)
SN74LS191DR	SOIC	D	16	2500	333.2	345.9	28.6

## IMPORTANT NOTICE

Texas Instruments Incorporated and its subsidiaries (TI) reserve the right to make corrections, enhancements, improvements and other changes to its semiconductor products and services per JESD46, latest issue, and to discontinue any product or service per JESD48, latest issue. Buyers should obtain the latest relevant information before placing orders and should verify that such information is current and complete. All semiconductor products (also referred to herein as "components") are sold subject to TI's terms and conditions of sale supplied at the time of order acknowledgment.

TI warrants performance of its components to the specifications applicable at the time of sale, in accordance with the warranty in TI's terms and conditions of sale of semiconductor products. Testing and other quality control techniques are used to the extent TI deems necessary to support this warranty. Except where mandated by applicable law, testing of all parameters of each component is not necessarily performed.

TI assumes no liability for applications assistance or the design of Buyers' products. Buyers are responsible for their products and applications using TI components. To minimize the risks associated with Buyers' products and applications, Buyers should provide adequate design and operating safeguards.

TI does not warrant or represent that any license, either express or implied, is granted under any patent right, copyright, mask work right, or other intellectual property right relating to any combination, machine, or process in which TI components or services are used. Information published by TI regarding third-party products or services does not constitute a license to use such products or services or a warranty or endorsement thereof. Use of such information may require a license from a third party under the patents or other intellectual property of the third party, or a license from TI under the patents or other intellectual property of TI.

Reproduction of significant portions of TI information in TI data books or data sheets is permissible only if reproduction is without alteration and is accompanied by all associated warranties, conditions, limitations, and notices. TI is not responsible or liable for such altered documentation. Information of third parties may be subject to additional restrictions.

Resale of TI components or services with statements different from or beyond the parameters stated by TI for that component or service voids all express and any implied warranties for the associated TI component or service and is an unfair and deceptive business practice. TI is not responsible or liable for any such statements.

Buyer acknowledges and agrees that it is solely responsible for compliance with all legal, regulatory and safety-related requirements concerning its products, and any use of TI components in its applications, notwithstanding any applications-related information or support that may be provided by TI. Buyer represents and agrees that it has all the necessary expertise to create and implement safeguards which anticipate dangerous consequences of failures, monitor failures and their consequences, lessen the likelihood of failures that might cause harm and take appropriate remedial actions. Buyer will fully indemnify TI and its representatives against any damages arising out of the use of any TI components in safety-critical applications.

In some cases, TI components may be promoted specifically to facilitate safety-related applications. With such components, TI's goal is to help enable customers to design and create their own end-product solutions that meet applicable functional safety standards and requirements. Nonetheless, such components are subject to these terms.

No TI components are authorized for use in FDA Class III (or similar life-critical medical equipment) unless authorized officers of the parties have executed a special agreement specifically governing such use.

Only those TI components which TI has specifically designated as military grade or "enhanced plastic" are designed and intended for use in military/aerospace applications or environments. Buyer acknowledges and agrees that any military or aerospace use of TI components which have **not** been so designated is solely at the Buyer's risk, and that Buyer is solely responsible for compliance with all legal and regulatory requirements in connection with such use.

TI has specifically designated certain components as meeting ISO/TS16949 requirements, mainly for automotive use. In any case of use of non-designated products, TI will not be responsible for any failure to meet ISO/TS16949.

### Products

Audio	<a href="http://www.ti.com/audio">www.ti.com/audio</a>
Amplifiers	<a href="http://amplifier.ti.com">amplifier.ti.com</a>
Data Converters	<a href="http://dataconverter.ti.com">dataconverter.ti.com</a>
DLP® Products	<a href="http://www.dlp.com">www.dlp.com</a>
DSP	<a href="http://dsp.ti.com">dsp.ti.com</a>
Clocks and Timers	<a href="http://www.ti.com/clocks">www.ti.com/clocks</a>
Interface	<a href="http://interface.ti.com">interface.ti.com</a>
Logic	<a href="http://logic.ti.com">logic.ti.com</a>
Power Mgmt	<a href="http://power.ti.com">power.ti.com</a>
Microcontrollers	<a href="http://microcontroller.ti.com">microcontroller.ti.com</a>
RFID	<a href="http://www.ti-rfid.com">www.ti-rfid.com</a>
OMAP Applications Processors	<a href="http://www.ti.com/omap">www.ti.com/omap</a>
Wireless Connectivity	<a href="http://www.ti.com/wirelessconnectivity">www.ti.com/wirelessconnectivity</a>

### Applications

Automotive and Transportation	<a href="http://www.ti.com/automotive">www.ti.com/automotive</a>
Communications and Telecom	<a href="http://www.ti.com/communications">www.ti.com/communications</a>
Computers and Peripherals	<a href="http://www.ti.com/computers">www.ti.com/computers</a>
Consumer Electronics	<a href="http://www.ti.com/consumer-apps">www.ti.com/consumer-apps</a>
Energy and Lighting	<a href="http://www.ti.com/energy">www.ti.com/energy</a>
Industrial	<a href="http://www.ti.com/industrial">www.ti.com/industrial</a>
Medical	<a href="http://www.ti.com/medical">www.ti.com/medical</a>
Security	<a href="http://www.ti.com/security">www.ti.com/security</a>
Space, Avionics and Defense	<a href="http://www.ti.com/space-avionics-defense">www.ti.com/space-avionics-defense</a>
Video and Imaging	<a href="http://www.ti.com/video">www.ti.com/video</a>

### TI E2E Community

[e2e.ti.com](http://e2e.ti.com)