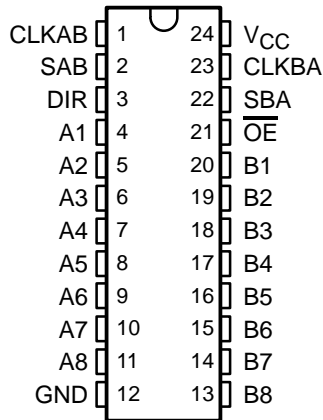


# SN54HC646, SN74HC646 OCTAL BUS TRANSCEIVERS AND REGISTERS WITH 3-STATE OUTPUTS

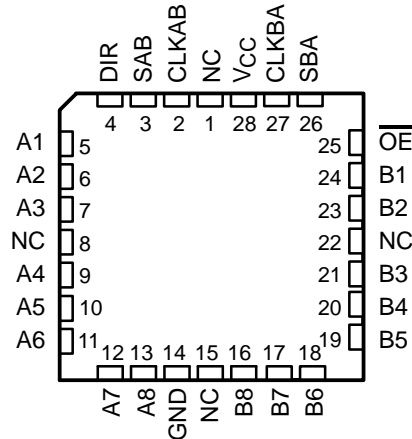
SCLS150C – DECEMBER 1982 – REVISED MARCH 2003

- Wide Operating Voltage Range of 2 V to 6 V
- High-Current 3-State Outputs Can Drive Up To 15 LSTTL Loads
- Low Power Consumption, 80- $\mu$ A Max  $I_{CC}$
- Typical  $t_{pd} = 11$  ns
- $\pm 6$ -mA Output Drive at 5 V
- Low Input Current of 1  $\mu$ A Max
- Independent Registers for A and B Buses
- Multiplexed Real-Time and Stored Data
- True Data Paths

SN54HC646 . . . JT OR W PACKAGE  
SN74HC646 . . . DW OR NT PACKAGE  
(TOP VIEW)



SN54HC646 . . . FK PACKAGE  
(TOP VIEW)



NC – No internal connection

## description/ordering information

The 'HC646 devices consist of bus-transceiver circuits with 3-state outputs, D-type flip-flops, and control circuitry arranged for multiplexed transmission of data directly from the input bus or from the internal registers. Data on the A or B bus is clocked into the registers on the low-to-high transition of the appropriate clock (CLKAB or CLKBA) input. Figure 1 illustrates the four fundamental bus-management functions that can be performed with the 'HC646 devices.

Output-enable ( $\overline{OE}$ ) and direction-control (DIR) inputs control the transceiver functions. In the transceiver mode, data present at the high-impedance port may be stored in either or both registers.

The select-control (SAB and SBA) inputs can multiplex stored and real-time (transparent mode) data. DIR determines which bus receives data when  $\overline{OE}$  is active (low). In the isolation mode ( $\overline{OE}$  high), A data may be stored in one register and/or B data may be stored in the other register.

## ORDERING INFORMATION

| TA             | PACKAGE†  |               | ORDERABLE PART NUMBER | TOP-SIDE MARKING |
|----------------|-----------|---------------|-----------------------|------------------|
| -40°C to 85°C  | PDIP – NT | Tube          | SN74HC646NT           | HC646            |
|                | SOIC – DW | Tube          | SN74HC646DW           |                  |
|                |           | Tape and reel | SN74HC646DWR          |                  |
| -55°C to 125°C | CDIP – JT | Tube          | SNJ54HC646JT          | SNJ54HC646JT     |
|                | CFP – W   | Tube          | SNJ54HC646W           | SNJ54HC646W      |
|                | LCCC – FK | Tube          | SNJ54HC646FK          | SNJ54HC646FK     |

† Package drawings, standard packing quantities, thermal data, symbolization, and PCB design guidelines are available at [www.ti.com/sc/package](http://www.ti.com/sc/package).



Please be aware that an important notice concerning availability, standard warranty, and use in critical applications of Texas Instruments semiconductor products and disclaimers thereto appears at the end of this data sheet.

UNLESS OTHERWISE NOTED this document contains PRODUCTION DATA information current as of publication date. Products conform to specifications per the terms of Texas Instruments standard warranty. Production processing does not necessarily include testing of all parameters.

 **TEXAS  
INSTRUMENTS**

POST OFFICE BOX 655303 • DALLAS, TEXAS 75265

Copyright © 2003, Texas Instruments Incorporated

# SN54HC646, SN74HC646 OCTAL BUS TRANSCEIVERS AND REGISTERS WITH 3-STATE OUTPUTS

SCLS150C – DECEMBER 1982 – REVISED MARCH 2003

## description/ordering information (continued)

To ensure the high-impedance state during power up or power down,  $\overline{OE}$  should be tied to  $V_{CC}$  through a pullup resistor; the minimum value of the resistor is determined by the current-sinking capability of the driver.

When an output function is disabled, the input function is still enabled and can be used to store data. Only one of the two buses, A or B, may be driven at a time.

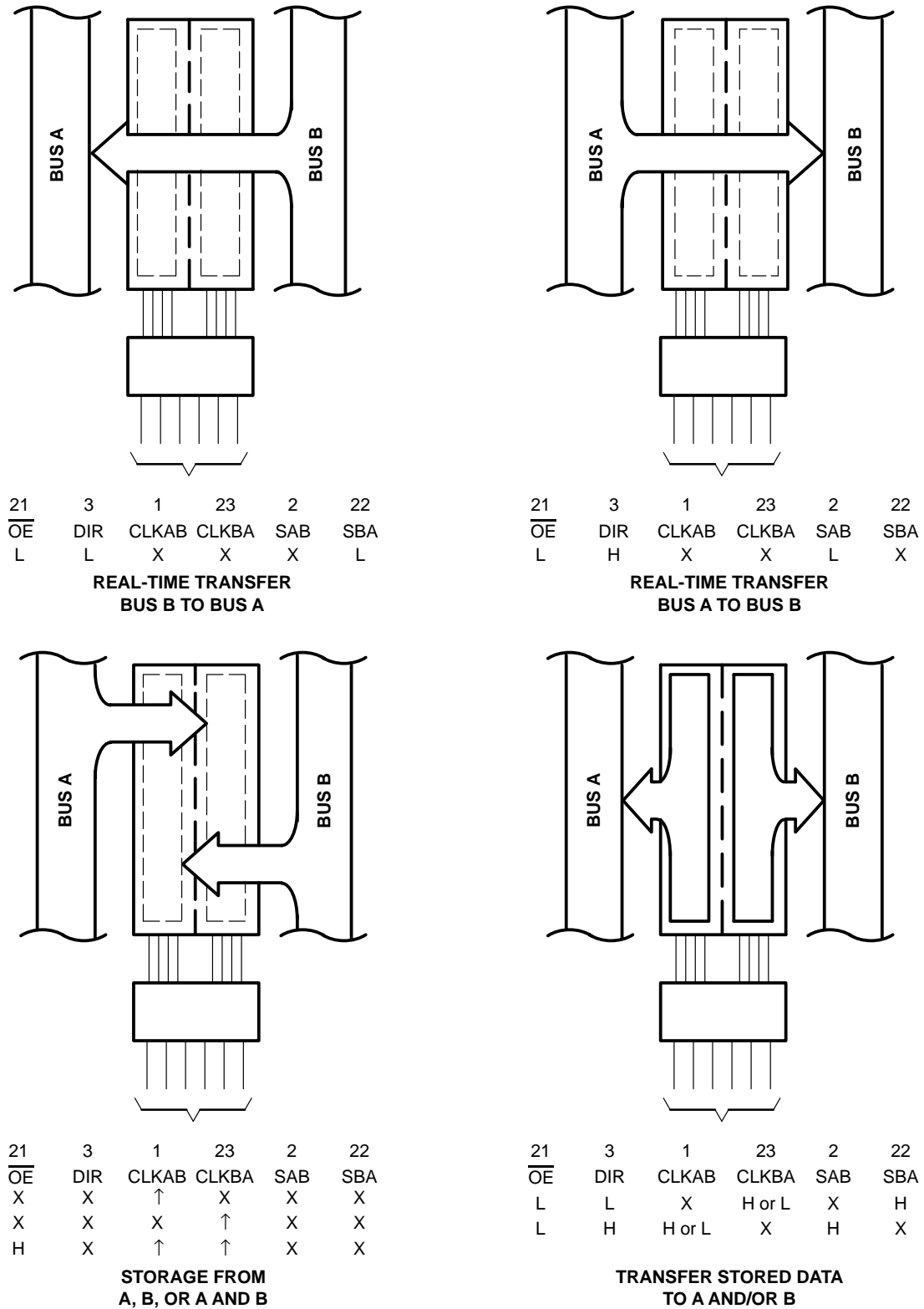
FUNCTION TABLE

| INPUTS |     |        |        |     |     | DATA I/O       |                | OPERATION OR FUNCTION     |
|--------|-----|--------|--------|-----|-----|----------------|----------------|---------------------------|
| OE     | DIR | CLKAB  | CLKBA  | SAB | SBA | A1–A8          | B1–B8          |                           |
| X      | X   | ↑      | X      | X   | X   | Input          | Unspecified†   | Store A, B unspecified†   |
| X      | X   | X      | ↑      | X   | X   | Unspecified†   | Input          | Store B, A unspecified†   |
| H      | X   | ↑      | ↑      | X   | X   | Input          | Input          | Store A and B data        |
| H      | X   | H or L | H or L | X   | X   | Input disabled | Input disabled | Isolation, hold storage   |
| L      | L   | X      | X      | X   | L   | Output         | Input          | Real-time B data to A bus |
| L      | L   | X      | H or L | X   | H   | Output         | Input          | Stored B data to A bus    |
| L      | H   | X      | X      | L   | X   | Input          | Output         | Real-time A data to B bus |
| L      | H   | H or L | X      | H   | X   | Input          | Output         | Stored A data to B bus    |

† The data-output functions can be enabled or disabled by various signals at  $\overline{OE}$  and DIR. Data-input functions always are enabled; i.e., data at the bus terminals is stored on every low-to-high transition of the clock inputs.

# SN54HC646, SN74HC646 OCTAL BUS TRANSCEIVERS AND REGISTERS WITH 3-STATE OUTPUTS

SCLS150C – DECEMBER 1982 – REVISED MARCH 2003



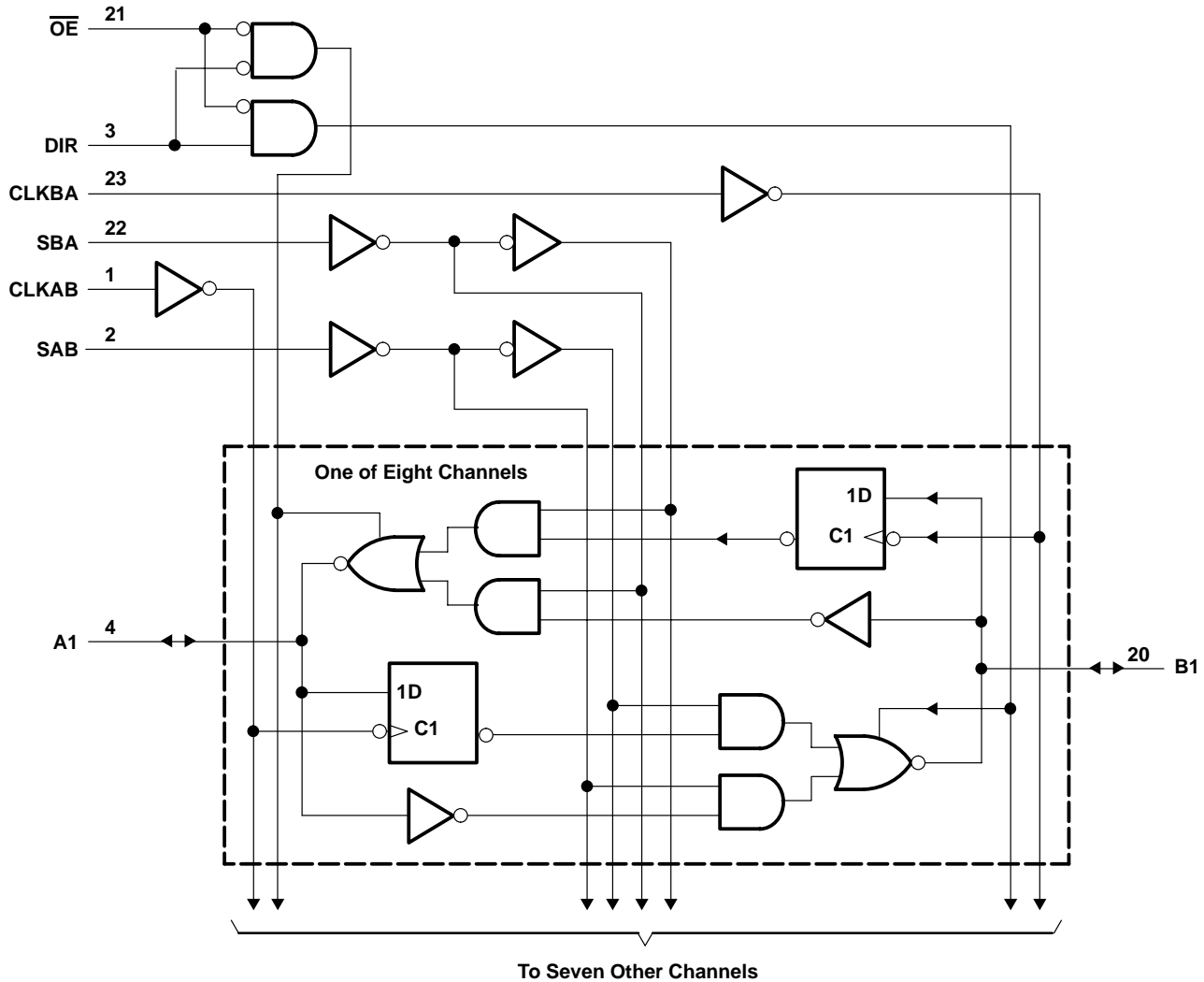
Pin numbers shown are for the DW, JT, NT, and W packages.

**Figure 1. Bus-Management Functions**

# SN54HC646, SN74HC646 OCTAL BUS TRANSCEIVERS AND REGISTERS WITH 3-STATE OUTPUTS

SCLS150C – DECEMBER 1982 – REVISED MARCH 2003

## logic diagram (positive logic)



Pin numbers shown are for the DW, JT, NT, and W packages.

## absolute maximum ratings over operating free-air temperature range (unless otherwise noted)†

|   |                |
|---|----------------|
| Supply voltage range, $V_{CC}$ .....  | -0.5 V to 7 V  |
| Input clamp current, $I_{IK}$ ( $V_I < 0$ or $V_I > V_{CC}$ ) (see Note 1) .....  | $\pm 20$ mA    |
| Output clamp current, $I_{OK}$ ( $V_O < 0$ or $V_O > V_{CC}$ ) (see Note 1) ..... | $\pm 20$ mA    |
| Continuous output current, $I_O$ ( $V_O = 0$ to $V_{CC}$ ) .....                  | $\pm 35$ mA    |
| Continuous current through $V_{CC}$ or GND .....                                  | $\pm 70$ mA    |
| Package thermal impedance, $\theta_{JA}$ (see Note 2): DW package .....           | 46°C/W         |
| (see Note 3): NT package .....  | 67°C/W         |
| Storage temperature range, $T_{stg}$ .....  | -65°C to 150°C |

† Stresses beyond those listed under “absolute maximum ratings” may cause permanent damage to the device. These are stress ratings only, and functional operation of the device at these or any other conditions beyond those indicated under “recommended operating conditions” is not implied. Exposure to absolute-maximum-rated conditions for extended periods may affect device reliability.

- NOTES: 1. The input and output voltage ratings may be exceeded if the input and output current ratings are observed.  
 2. The package thermal impedance is calculated in accordance with JESD 51-7.  
 3. The package thermal impedance is calculated in accordance with JESD 51-3.



POST OFFICE BOX 655303 • DALLAS, TEXAS 75265

# SN54HC646, SN74HC646 OCTAL BUS TRANSCEIVERS AND REGISTERS WITH 3-STATE OUTPUTS

SCLS150C – DECEMBER 1982 – REVISED MARCH 2003

## recommended operating conditions (see Note 4)

|                 |                                       | SN54HC646               |     |                 | SN74HC646 |                 |      | UNIT |
|-----------------|---------------------------------------|-------------------------|-----|-----------------|-----------|-----------------|------|------|
|                 |                                       | MIN                     | NOM | MAX             | MIN       | NOM             | MAX  |      |
| V <sub>CC</sub> | Supply voltage                        | 2                       | 5   | 6               | 2         | 5               | 6    | V    |
| V <sub>IH</sub> | High-level input voltage              | V <sub>CC</sub> = 2 V   |     | 1.5             | 1.5       |                 | V    |      |
|                 |                                       | V <sub>CC</sub> = 4.5 V |     | 3.15            | 3.15      |                 |      |      |
|                 |                                       | V <sub>CC</sub> = 6 V   |     | 4.2             | 4.2       |                 |      |      |
| V <sub>IL</sub> | Low-level input voltage               | V <sub>CC</sub> = 2 V   |     |                 | 0.5       |                 | 0.5  | V    |
|                 |                                       | V <sub>CC</sub> = 4.5 V |     |                 | 1.35      |                 | 1.35 |      |
|                 |                                       | V <sub>CC</sub> = 6 V   |     |                 | 1.8       |                 | 1.8  |      |
| V <sub>I</sub>  | Input voltage                         | 0                       |     | V <sub>CC</sub> | 0         | V <sub>CC</sub> |      | V    |
| V <sub>O</sub>  | Output voltage                        | 0                       |     | V <sub>CC</sub> | 0         | V <sub>CC</sub> |      | V    |
| t <sub>t</sub>  | Input transition (rise and fall) time | V <sub>CC</sub> = 2 V   |     | 1000            |           | 1000            |      | ns   |
|                 |                                       | V <sub>CC</sub> = 4.5 V |     | 500             |           | 500             |      |      |
|                 |                                       | V <sub>CC</sub> = 6 V   |     | 400             |           | 400             |      |      |
| T <sub>A</sub>  | Operating free-air temperature        | -55                     |     | 125             | -40       | 85              |      | °C   |

NOTE 4: All unused inputs of the device must be held at V<sub>CC</sub> or GND to ensure proper device operation. Refer to the TI application report, *Implications of Slow or Floating CMOS Inputs*, literature number SCBA004.

## electrical characteristics over recommended operating free-air temperature range (unless otherwise noted)

| PARAMETER       | TEST CONDITIONS                                     |   | V <sub>CC</sub> | T <sub>A</sub> = 25°C |       |      | SN54HC646 |       | SN74HC646 |       | UNIT |
|-----------------|---|---|-----------------|-----------------------|-------|------|-----------|-------|-----------|-------|------|
|                 |   |   |                 | MIN                   | TYP   | MAX  | MIN       | MAX   | MIN       | MAX   |      |
| V <sub>OH</sub> | V <sub>I</sub> = V <sub>IH</sub> or V <sub>IL</sub> | I <sub>OH</sub> = -20 µA                                  | 2 V             | 1.9                   | 1.998 |      | 1.9       |       | 1.9       | V     |      |
|                 |   |   | 4.5 V           | 4.4                   | 4.499 |      | 4.4       |       | 4.4       |       |      |
|                 |   |   | 6 V             | 5.9                   | 5.999 |      | 5.9       |       | 5.9       |       |      |
|                 |   | I <sub>OH</sub> = -6 mA                                   | 4.5 V           | 3.98                  | 4.3   |      | 3.7       |       | 3.84      |       |      |
|                 |   | I <sub>OH</sub> = -7.8 mA                                 | 6 V             | 5.48                  | 5.8   |      | 5.2       |       | 5.34      |       |      |
| V <sub>OL</sub> | V <sub>I</sub> = V <sub>IH</sub> or V <sub>IL</sub> | I <sub>OL</sub> = 20 µA                                   | 2 V             |                       | 0.002 | 0.1  |           | 0.1   |           | 0.1   | V    |
|                 |   |   | 4.5 V           |                       | 0.001 | 0.1  |           | 0.1   |           | 0.1   |      |
|                 |   |   | 6 V             |                       | 0.001 | 0.1  |           | 0.1   |           | 0.1   |      |
|                 |   | I <sub>OL</sub> = 6 mA                                    | 4.5 V           |                       | 0.17  | 0.26 |           | 0.4   |           | 0.33  |      |
|                 |   | I <sub>OL</sub> = 7.8 mA                                  | 6 V             |                       | 0.15  | 0.26 |           | 0.4   |           | 0.33  |      |
| I <sub>I</sub>  | Control inputs                                      | V <sub>I</sub> = V <sub>CC</sub> or 0                     | 6 V             |                       | ±0.1  | ±100 |           | ±1000 |           | ±1000 | nA   |
| I <sub>OZ</sub> | A or B  | V <sub>O</sub> = V <sub>CC</sub> or 0                     | 6 V             |                       | ±0.01 | ±0.5 |           | ±10   |           | ±5    | µA   |
| I <sub>CC</sub> |   | V <sub>I</sub> = V <sub>CC</sub> or 0, I <sub>O</sub> = 0 | 6 V             |                       |       | 8    |           | 160   |           | 80    | µA   |
| C <sub>i</sub>  | Control inputs                                      |   | 2 V to 6 V      |                       | 3     | 10   |           | 10    |           | 10    | pF   |

PRODUCT PREVIEW information concerns products in the formative or design phase of development. Characteristic data and other specifications are design goals. Texas Instruments reserves the right to change or discontinue these products without notice.



POST OFFICE BOX 655303 • DALLAS, TEXAS 75265

**SN54HC646, SN74HC646**  
**OCTAL BUS TRANSCEIVERS AND REGISTERS**  
**WITH 3-STATE OUTPUTS**

SCLS150C – DECEMBER 1982 – REVISED MARCH 2003

timing requirements over recommended operating free-air temperature range (unless otherwise noted)

|  | V <sub>CC</sub> | T <sub>A</sub> = 25°C |     | SN54HC646 |     | SN74HC646 |     | UNIT |
|--|-----------------|-----------------------|-----|-----------|-----|-----------|-----|------|
|  |                 | MIN                   | MAX | MIN       | MAX | MIN       | MAX |      |
| f <sub>clock</sub> Clock frequency                             | 2 V             |                       | 6   |           | 4.3 |           | 5.5 | MHz  |
|  | 4.5 V           |                       | 31  |           | 22  |           | 27  |      |
|  | 6 V             |                       | 36  |           | 25  |           | 31  |      |
| t <sub>w</sub> Pulse duration, CLKBA or CLKAB high or low      | 2 V             | 80                    |     | 115       |     | 95        |     | ns   |
|  | 4.5 V           | 16                    |     | 23        |     | 19        |     |      |
|  | 6 V             | 14                    |     | 20        |     | 16        |     |      |
| t <sub>su</sub> Setup time, A before CLKAB↑ or B before CLKBA↑ | 2 V             | 100                   |     | 150       |     | 125       |     | ns   |
|  | 4.5 V           | 20                    |     | 30        |     | 25        |     |      |
|  | 6 V             | 17                    |     | 26        |     | 21        |     |      |
| t <sub>h</sub> Hold time, A after CLKAB↑ or B after CLKBA↑     | 2 V             | 5                     |     | 5         |     | 5         |     | ns   |
|  | 4.5 V           | 5                     |     | 5         |     | 5         |     |      |
|  | 6 V             | 5                     |     | 5         |     | 5         |     |      |

PRODUCT PREVIEW information concerns products in the formative or design phase of development. Characteristic data and other specifications are design goals. Texas Instruments reserves the right to change or discontinue these products without notice.



POST OFFICE BOX 655303 • DALLAS, TEXAS 75265

**SN54HC646, SN74HC646**  
**OCTAL BUS TRANSCEIVERS AND REGISTERS**  
**WITH 3-STATE OUTPUTS**

SCLS150C – DECEMBER 1982 – REVISED MARCH 2003

**switching characteristics over recommended operating free-air temperature range, C<sub>L</sub> = 50 pF (unless otherwise noted) (see Figure 2)**

| PARAMETER        | FROM (INPUT)           | TO (OUTPUT) | V <sub>CC</sub> | T <sub>A</sub> = 25°C |     |     | SN54HC646 |     | SN74HC646 |     | UNIT |
|------------------|------------------------|-------------|-----------------|-----------------------|-----|-----|-----------|-----|-----------|-----|------|
|                  |                        |             |                 | MIN                   | TYP | MAX | MIN       | MAX | MIN       | MAX |      |
| f <sub>max</sub> |                        |             | 2 V             | 6                     | 11  |     | 4.4       |     | 5.5       | MHz |      |
|                  |                        |             | 4.5 V           | 31                    | 54  |     | 22        |     | 27        |     |      |
|                  |                        |             | 6 V             | 36                    | 64  |     | 25        |     | 31        |     |      |
| t <sub>pd</sub>  | CLKBA or CLKAB         | A or B      | 2 V             |                       | 65  | 180 |           | 270 |           | 225 | ns   |
|                  |                        |             | 4.5 V           |                       | 18  | 36  |           | 54  |           | 45  |      |
|                  |                        |             | 6 V             |                       | 14  | 31  |           | 46  |           | 38  |      |
|                  | A or B                 | B or A      | 2 V             |                       | 50  | 135 |           | 205 |           | 170 |      |
|                  |                        |             | 4.5 V           |                       | 14  | 27  |           | 41  |           | 34  |      |
|                  |                        |             | 6 V             |                       | 11  | 23  |           | 35  |           | 29  |      |
|                  | SBA or SAB†            | A or B      | 2 V             |                       | 70  | 190 |           | 285 |           | 240 |      |
|                  |                        |             | 4.5 V           |                       | 20  | 38  |           | 57  |           | 48  |      |
|                  |                        |             | 6 V             |                       | 16  | 32  |           | 48  |           | 41  |      |
| t <sub>en</sub>  | $\overline{\text{OE}}$ | A or B      | 2 V             |                       | 85  | 245 |           | 370 |           | 305 | ns   |
|                  |                        |             | 4.5 V           |                       | 25  | 49  |           | 74  |           | 61  |      |
|                  |                        |             | 6 V             |                       | 20  | 42  |           | 63  |           | 52  |      |
| t <sub>dis</sub> | $\overline{\text{OE}}$ | A or B      | 2 V             |                       | 85  | 245 |           | 370 |           | 305 | ns   |
|                  |                        |             | 4.5 V           |                       | 25  | 49  |           | 74  |           | 61  |      |
|                  |                        |             | 6 V             |                       | 20  | 42  |           | 63  |           | 52  |      |
| t <sub>en</sub>  | DIR                    | A or B      | 2 V             |                       | 80  | 245 |           | 370 |           | 305 | ns   |
|                  |                        |             | 4.5 V           |                       | 25  | 49  |           | 74  |           | 61  |      |
|                  |                        |             | 6 V             |                       | 20  | 42  |           | 63  |           | 52  |      |
| t <sub>dis</sub> | DIR                    | A or B      | 2 V             |                       | 80  | 245 |           | 370 |           | 305 | ns   |
|                  |                        |             | 4.5 V           |                       | 25  | 49  |           | 74  |           | 61  |      |
|                  |                        |             | 6 V             |                       | 20  | 42  |           | 63  |           | 52  |      |
| t <sub>t</sub>   |                        | Any         | 2 V             |                       | 28  | 60  |           | 90  |           | 75  | ns   |
|                  |                        |             | 4.5 V           |                       | 8   | 12  |           | 18  |           | 15  |      |
|                  |                        |             | 6 V             |                       | 6   | 10  |           | 15  |           | 13  |      |

† These parameters are measured with the internal output state of the storage register opposite that of the bus input.

# SN54HC646, SN74HC646 OCTAL BUS TRANSCEIVERS AND REGISTERS WITH 3-STATE OUTPUTS

SCLS150C – DECEMBER 1982 – REVISED MARCH 2003

switching characteristics over recommended operating free-air temperature range,  $C_L = 150 \text{ pF}$   
(unless otherwise noted) (see Figure 2)

| PARAMETER | FROM (INPUT)    | TO (OUTPUT) | $V_{CC}$ | $T_A = 25^\circ\text{C}$ |     |     | SN54HC646 |     | SN74HC646 |     | UNIT |
|-----------|-----------------|-------------|----------|--------------------------|-----|-----|-----------|-----|-----------|-----|------|
|           |                 |             |          | MIN                      | TYP | MAX | MIN       | MAX | MIN       | MAX |      |
| $t_{pd}$  | CLKBA or CLKAB  | A or B      | 2 V      |                          | 90  | 265 |           | 400 |           | 330 | ns   |
|           |                 |             | 4.5 V    |                          | 24  | 53  |           | 80  |           | 66  |      |
|           |                 |             | 6 V      |                          | 20  | 46  |           | 68  |           | 57  |      |
|           | A or B          | B or A      | 2 V      |                          | 70  | 220 |           | 335 |           | 280 |      |
|           |                 |             | 4.5 V    |                          | 20  | 44  |           | 67  |           | 56  |      |
|           |                 |             | 6 V      |                          | 15  | 38  |           | 57  |           | 49  |      |
|           | SBA or SAB†     | A or B      | 2 V      |                          | 80  | 275 |           | 415 |           | 345 |      |
|           |                 |             | 4.5 V    |                          | 24  | 55  |           | 83  |           | 69  |      |
|           |                 |             | 6 V      |                          | 20  | 47  |           | 70  |           | 60  |      |
| $t_{en}$  | $\overline{OE}$ | A or B      | 2 V      |                          | 113 | 330 |           | 500 |           | 410 | ns   |
|           |                 |             | 4.5 V    |                          | 33  | 66  |           | 100 |           | 82  |      |
|           |                 |             | 6 V      |                          | 27  | 57  |           | 85  |           | 71  |      |
|           | DIR             | A or B      | 2 V      |                          | 113 | 330 |           | 500 |           | 410 |      |
|           |                 |             | 4.5 V    |                          | 33  | 66  |           | 100 |           | 82  |      |
|           |                 |             | 6 V      |                          | 27  | 57  |           | 85  |           | 71  |      |
| $t_t$     |                 | Any         | 2 V      |                          | 45  | 210 |           | 315 |           | 265 | ns   |
|           |                 |             | 4.5 V    |                          | 17  | 42  |           | 63  |           | 53  |      |
|           |                 |             | 6 V      |                          | 13  | 36  |           | 53  |           | 43  |      |

† These parameters are measured with the internal output state of the storage register opposite that of the bus input.

## operating characteristics, $T_A = 25^\circ\text{C}$

| PARAMETER                              | TEST CONDITIONS | TYP | UNIT |
|--|-----------------|-----|------|
| $C_{pd}$ Power dissipation capacitance | No load         | 50  | pF   |

PRODUCT PREVIEW information concerns products in the formative or design phase of development. Characteristic data and other specifications are design goals. Texas Instruments reserves the right to change or discontinue these products without notice.

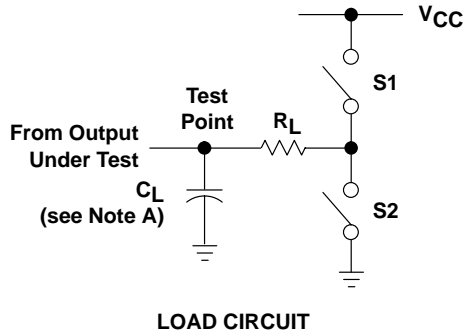




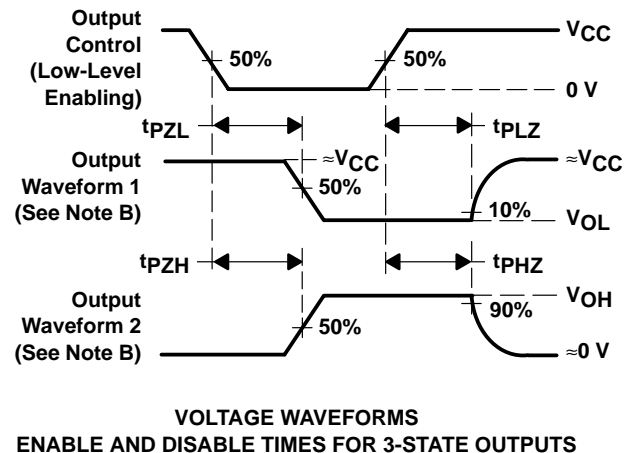
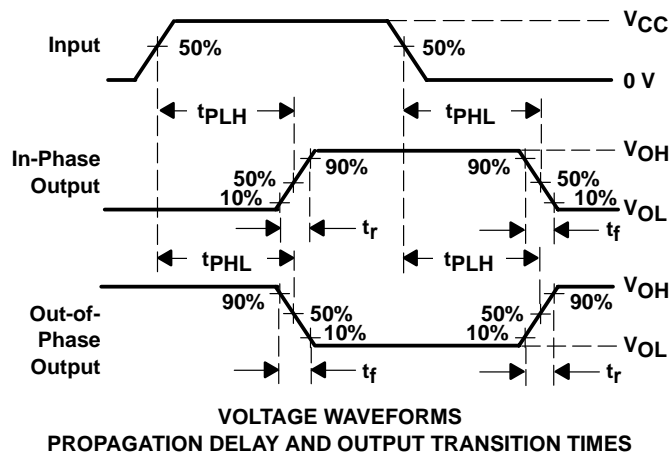
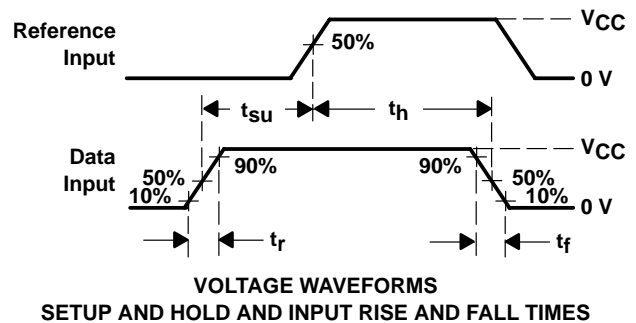
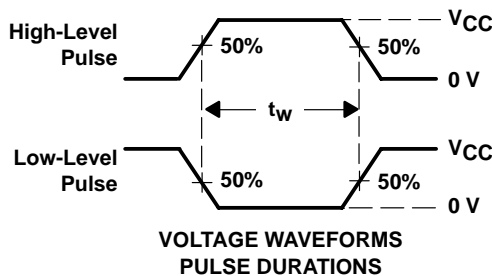
# SN54HC646, SN74HC646 OCTAL BUS TRANSCEIVERS AND REGISTERS WITH 3-STATE OUTPUTS

SCLS150C – DECEMBER 1982 – REVISED MARCH 2003

## PARAMETER MEASUREMENT INFORMATION



| PARAMETER         | $R_L$        | $C_L$           | S1     | S2     |
|-------------------|--------------|-----------------|--------|--------|
| $t_{en}$          | 1 k $\Omega$ | 50 pF or 150 pF | Open   | Closed |
|                   |              |                 | Closed | Open   |
| $t_{dis}$         | 1 k $\Omega$ | 50 pF           | Open   | Closed |
|                   |              |                 | Closed | Open   |
| $t_{pd}$ or $t_t$ | —            | 50 pF or 150 pF | Open   | Open   |



- NOTES:
- $C_L$  includes probe and test-fixture capacitance.
  - Waveform 1 is for an output with internal conditions such that the output is low except when disabled by the output control. Waveform 2 is for an output with internal conditions such that the output is high except when disabled by the output control.
  - Phase relationships between waveforms were chosen arbitrarily. All input pulses are supplied by generators having the following characteristics:  $PRR \leq 1$  MHz,  $Z_O = 50 \Omega$ ,  $t_r = 6$  ns,  $t_f = 6$  ns.
  - For clock inputs,  $f_{max}$  is measured when the input duty cycle is 50%.
  - The outputs are measured one at a time with one input transition per measurement.
  - $t_{PLZ}$  and  $t_{PHZ}$  are the same as  $t_{dis}$ .
  - $t_{PZL}$  and  $t_{PZH}$  are the same as  $t_{en}$ .
  - $t_{PLH}$  and  $t_{PHL}$  are the same as  $t_{pd}$ .

Figure 2. Load Circuit and Voltage Waveforms

**PACKAGING INFORMATION**

| Orderable Device | Status <sup>(1)</sup> | Package Type | Package Drawing | Pins | Package Qty | Eco Plan <sup>(2)</sup> | Lead/Ball Finish | MSL Peak Temp <sup>(3)</sup> |
|------------------|-----------------------|--------------|-----------------|------|-------------|-------------------------|------------------|------------------------------|
| SN74HC646DW      | ACTIVE                | SOIC         | DW              | 24   | 25          | Green (RoHS & no Sb/Br) | CU NIPDAU        | Level-1-260C-UNLIM           |
| SN74HC646DWE4    | ACTIVE                | SOIC         | DW              | 24   | 25          | Green (RoHS & no Sb/Br) | CU NIPDAU        | Level-1-260C-UNLIM           |
| SN74HC646DWG4    | ACTIVE                | SOIC         | DW              | 24   | 25          | Green (RoHS & no Sb/Br) | CU NIPDAU        | Level-1-260C-UNLIM           |
| SN74HC646DWR     | ACTIVE                | SOIC         | DW              | 24   | 2000        | Green (RoHS & no Sb/Br) | CU NIPDAU        | Level-1-260C-UNLIM           |
| SN74HC646DWRE4   | ACTIVE                | SOIC         | DW              | 24   | 2000        | Green (RoHS & no Sb/Br) | CU NIPDAU        | Level-1-260C-UNLIM           |
| SN74HC646DWRG4   | ACTIVE                | SOIC         | DW              | 24   | 2000        | Green (RoHS & no Sb/Br) | CU NIPDAU        | Level-1-260C-UNLIM           |
| SN74HC646NT      | ACTIVE                | PDIP         | NT              | 24   | 15          | Pb-Free (RoHS)          | CU NIPDAU        | N / A for Pkg Type           |
| SN74HC646NT3     | OBSOLETE              | PDIP         | NT              | 24   |             | TBD                     | Call TI          | Call TI                      |
| SN74HC646NTE4    | ACTIVE                | PDIP         | NT              | 24   | 15          | Pb-Free (RoHS)          | CU NIPDAU        | N / A for Pkg Type           |

<sup>(1)</sup> The marketing status values are defined as follows:

**ACTIVE:** Product device recommended for new designs.

**LIFEBUY:** TI has announced that the device will be discontinued, and a lifetime-buy period is in effect.

**NRND:** Not recommended for new designs. Device is in production to support existing customers, but TI does not recommend using this part in a new design.

**PREVIEW:** Device has been announced but is not in production. Samples may or may not be available.

**OBSOLETE:** TI has discontinued the production of the device.

<sup>(2)</sup> Eco Plan - The planned eco-friendly classification: Pb-Free (RoHS), Pb-Free (RoHS Exempt), or Green (RoHS & no Sb/Br) - please check <http://www.ti.com/productcontent> for the latest availability information and additional product content details.

**TBD:** The Pb-Free/Green conversion plan has not been defined.

**Pb-Free (RoHS):** TI's terms "Lead-Free" or "Pb-Free" mean semiconductor products that are compatible with the current RoHS requirements for all 6 substances, including the requirement that lead not exceed 0.1% by weight in homogeneous materials. Where designed to be soldered at high temperatures, TI Pb-Free products are suitable for use in specified lead-free processes.

**Pb-Free (RoHS Exempt):** This component has a RoHS exemption for either 1) lead-based flip-chip solder bumps used between the die and package, or 2) lead-based die adhesive used between the die and leadframe. The component is otherwise considered Pb-Free (RoHS compatible) as defined above.

**Green (RoHS & no Sb/Br):** TI defines "Green" to mean Pb-Free (RoHS compatible), and free of Bromine (Br) and Antimony (Sb) based flame retardants (Br or Sb do not exceed 0.1% by weight in homogeneous material)

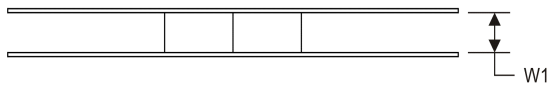
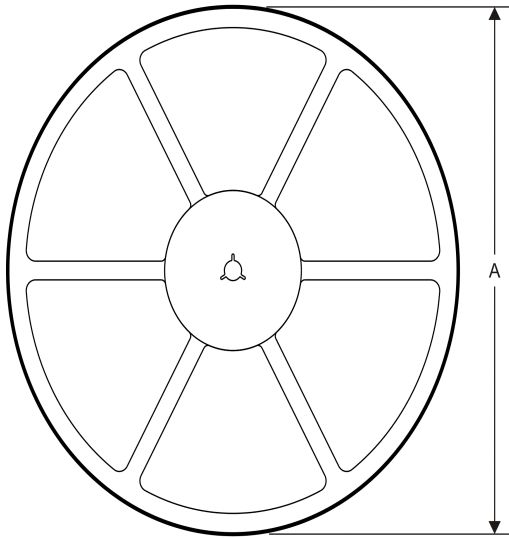
<sup>(3)</sup> MSL, Peak Temp. -- The Moisture Sensitivity Level rating according to the JEDEC industry standard classifications, and peak solder temperature.

**Important Information and Disclaimer:**The information provided on this page represents TI's knowledge and belief as of the date that it is provided. TI bases its knowledge and belief on information provided by third parties, and makes no representation or warranty as to the accuracy of such information. Efforts are underway to better integrate information from third parties. TI has taken and continues to take reasonable steps to provide representative and accurate information but may not have conducted destructive testing or chemical analysis on incoming materials and chemicals. TI and TI suppliers consider certain information to be proprietary, and thus CAS numbers and other limited information may not be available for release.

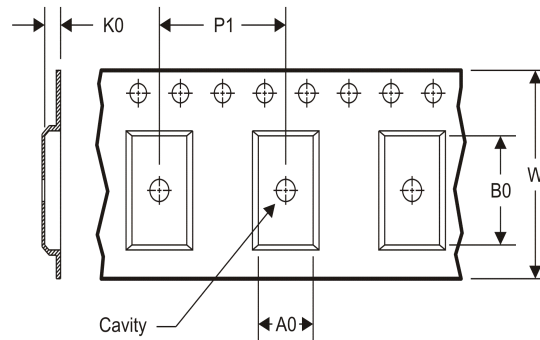
In no event shall TI's liability arising out of such information exceed the total purchase price of the TI part(s) at issue in this document sold by TI to Customer on an annual basis.

**TAPE AND REEL INFORMATION**

**REEL DIMENSIONS**



**TAPE DIMENSIONS**



|    |   |
|----|---|
| A0 | Dimension designed to accommodate the component width     |
| B0 | Dimension designed to accommodate the component length    |
| K0 | Dimension designed to accommodate the component thickness |
| W  | Overall width of the carrier tape                         |
| P1 | Pitch between successive cavity centers                   |

**TAPE AND REEL INFORMATION**

\*All dimensions are nominal

| Device       | Package Type | Package Drawing | Pins | SPQ  | Reel Diameter (mm) | Reel Width W1 (mm) | A0 (mm) | B0 (mm) | K0 (mm) | P1 (mm) | W (mm) | Pin1 Quadrant |
|--------------|--------------|-----------------|------|------|--------------------|--------------------|---------|---------|---------|---------|--------|---------------|
| SN74HC646DWR | SOIC         | DW              | 24   | 2000 | 330.0              | 24.4               | 10.75   | 15.7    | 2.7     | 12.0    | 24.0   | Q1            |

**TAPE AND REEL BOX DIMENSIONS**



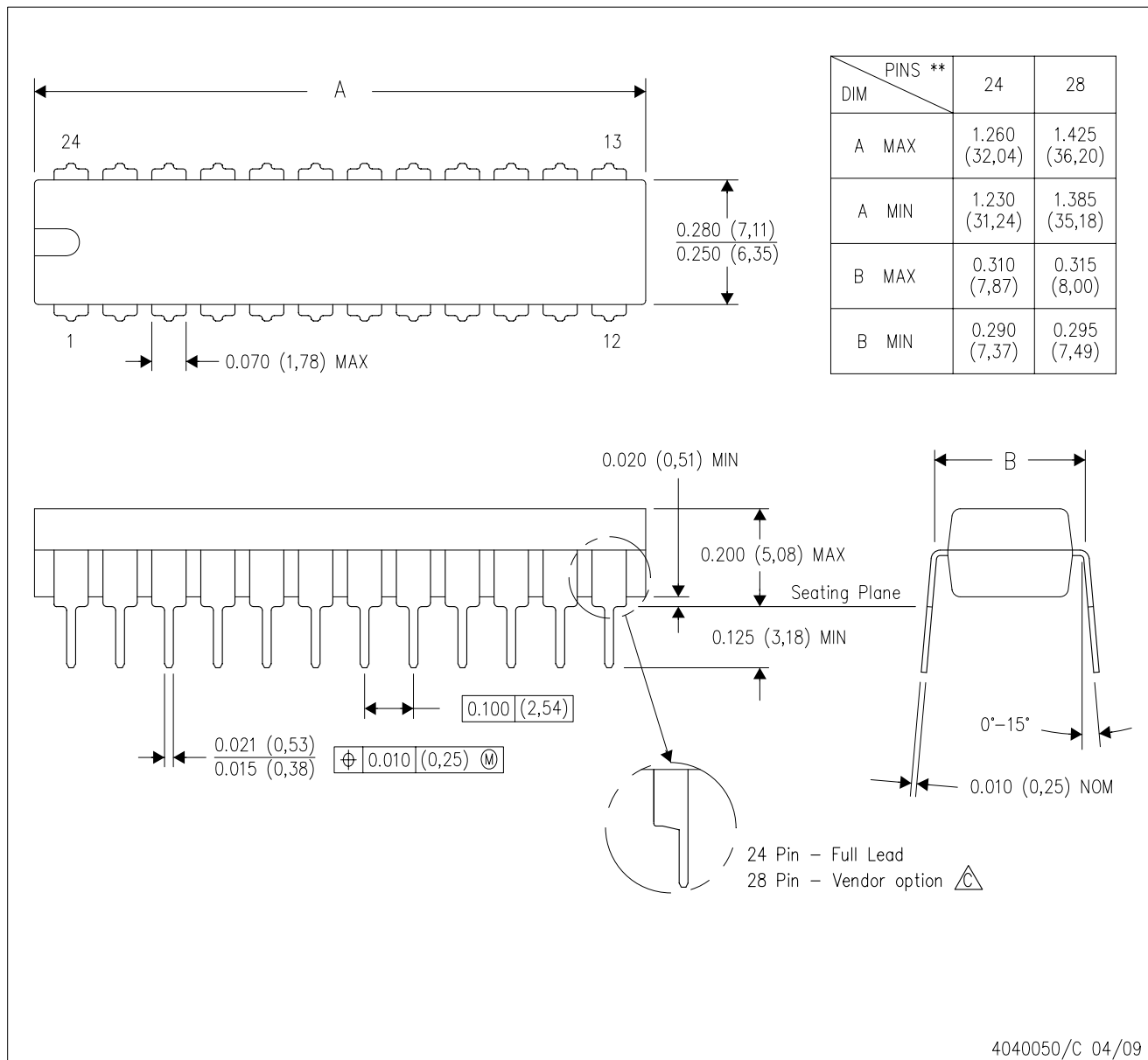
\*All dimensions are nominal


| Device       | Package Type | Package Drawing | Pins | SPQ  | Length (mm) | Width (mm) | Height (mm) |
|--------------|--------------|-----------------|------|------|-------------|------------|-------------|
| SN74HC646DWR | SOIC         | DW              | 24   | 2000 | 367.0       | 367.0      | 45.0        |

# MECHANICAL DATA

NT (R-PDIP-T\*\*) 24 PINS SHOWN

PLASTIC DUAL-IN-LINE PACKAGE



- NOTES:
- A. All linear dimensions are in millimeters. Dimensioning and tolerancing per ASME Y14.5M-1994.
  - B. This drawing is subject to change without notice.
  -  The 28 pin end lead shoulder width is a vendor option, either half or full width.

DW (R-PDSO-G24)

PLASTIC SMALL OUTLINE



- NOTES:
- A. All linear dimensions are in inches (millimeters). Dimensioning and tolerancing per ASME Y14.5M-1994.
  - B. This drawing is subject to change without notice.
  - C. Body dimensions do not include mold flash or protrusion not to exceed 0.006 (0,15).
  - D. Falls within JEDEC MS-013 variation AD.

## IMPORTANT NOTICE

Texas Instruments Incorporated and its subsidiaries (TI) reserve the right to make corrections, enhancements, improvements and other changes to its semiconductor products and services per JESD46C and to discontinue any product or service per JESD48B. Buyers should obtain the latest relevant information before placing orders and should verify that such information is current and complete. All semiconductor products (also referred to herein as "components") are sold subject to TI's terms and conditions of sale supplied at the time of order acknowledgment.

TI warrants performance of its components to the specifications applicable at the time of sale, in accordance with the warranty in TI's terms and conditions of sale of semiconductor products. Testing and other quality control techniques are used to the extent TI deems necessary to support this warranty. Except where mandated by applicable law, testing of all parameters of each component is not necessarily performed.

TI assumes no liability for applications assistance or the design of Buyers' products. Buyers are responsible for their products and applications using TI components. To minimize the risks associated with Buyers' products and applications, Buyers should provide adequate design and operating safeguards.

TI does not warrant or represent that any license, either express or implied, is granted under any patent right, copyright, mask work right, or other intellectual property right relating to any combination, machine, or process in which TI components or services are used. Information published by TI regarding third-party products or services does not constitute a license to use such products or services or a warranty or endorsement thereof. Use of such information may require a license from a third party under the patents or other intellectual property of the third party, or a license from TI under the patents or other intellectual property of TI.

Reproduction of significant portions of TI information in TI data books or data sheets is permissible only if reproduction is without alteration and is accompanied by all associated warranties, conditions, limitations, and notices. TI is not responsible or liable for such altered documentation. Information of third parties may be subject to additional restrictions.

Resale of TI components or services with statements different from or beyond the parameters stated by TI for that component or service voids all express and any implied warranties for the associated TI component or service and is an unfair and deceptive business practice. TI is not responsible or liable for any such statements.

Buyer acknowledges and agrees that it is solely responsible for compliance with all legal, regulatory and safety-related requirements concerning its products, and any use of TI components in its applications, notwithstanding any applications-related information or support that may be provided by TI. Buyer represents and agrees that it has all the necessary expertise to create and implement safeguards which anticipate dangerous consequences of failures, monitor failures and their consequences, lessen the likelihood of failures that might cause harm and take appropriate remedial actions. Buyer will fully indemnify TI and its representatives against any damages arising out of the use of any TI components in safety-critical applications.

In some cases, TI components may be promoted specifically to facilitate safety-related applications. With such components, TI's goal is to help enable customers to design and create their own end-product solutions that meet applicable functional safety standards and requirements. Nonetheless, such components are subject to these terms.

No TI components are authorized for use in FDA Class III (or similar life-critical medical equipment) unless authorized officers of the parties have executed a special agreement specifically governing such use.

Only those TI components which TI has specifically designated as military grade or "enhanced plastic" are designed and intended for use in military/aerospace applications or environments. Buyer acknowledges and agrees that any military or aerospace use of TI components which have **not** been so designated is solely at the Buyer's risk, and that Buyer is solely responsible for compliance with all legal and regulatory requirements in connection with such use.

TI has specifically designated certain components which meet ISO/TS16949 requirements, mainly for automotive use. Components which have not been so designated are neither designed nor intended for automotive use; and TI will not be responsible for any failure of such components to meet such requirements.

### Products

|                        |  |
|------------------------|--|
| Audio                  | <a href="http://www.ti.com/audio">www.ti.com/audio</a>                               |
| Amplifiers             | <a href="http://amplifier.ti.com">amplifier.ti.com</a>                               |
| Data Converters        | <a href="http://dataconverter.ti.com">dataconverter.ti.com</a>                       |
| DLP® Products          | <a href="http://www.dlp.com">www.dlp.com</a>   |
| DSP                    | <a href="http://dsp.ti.com">dsp.ti.com</a>   |
| Clocks and Timers      | <a href="http://www.ti.com/clocks">www.ti.com/clocks</a>                             |
| Interface              | <a href="http://interface.ti.com">interface.ti.com</a>                               |
| Logic                  | <a href="http://logic.ti.com">logic.ti.com</a>                                       |
| Power Mgmt             | <a href="http://power.ti.com">power.ti.com</a>                                       |
| Microcontrollers       | <a href="http://microcontroller.ti.com">microcontroller.ti.com</a>                   |
| RFID                   | <a href="http://www.ti-rfid.com">www.ti-rfid.com</a>                                 |
| OMAP Mobile Processors | <a href="http://www.ti.com/omap">www.ti.com/omap</a>                                 |
| Wireless Connectivity  | <a href="http://www.ti.com/wirelessconnectivity">www.ti.com/wirelessconnectivity</a> |

### Applications

|                               |  |
|-------------------------------|--|
| Automotive and Transportation | <a href="http://www.ti.com/automotive">www.ti.com/automotive</a>                         |
| Communications and Telecom    | <a href="http://www.ti.com/communications">www.ti.com/communications</a>                 |
| Computers and Peripherals     | <a href="http://www.ti.com/computers">www.ti.com/computers</a>                           |
| Consumer Electronics          | <a href="http://www.ti.com/consumer-apps">www.ti.com/consumer-apps</a>                   |
| Energy and Lighting           | <a href="http://www.ti.com/energy">www.ti.com/energy</a>                                 |
| Industrial                    | <a href="http://www.ti.com/industrial">www.ti.com/industrial</a>                         |
| Medical                       | <a href="http://www.ti.com/medical">www.ti.com/medical</a>                               |
| Security                      | <a href="http://www.ti.com/security">www.ti.com/security</a>                             |
| Space, Avionics and Defense   | <a href="http://www.ti.com/space-avionics-defense">www.ti.com/space-avionics-defense</a> |
| Video and Imaging             | <a href="http://www.ti.com/video">www.ti.com/video</a>                                   |

**TI E2E Community** [e2e.ti.com](http://e2e.ti.com)