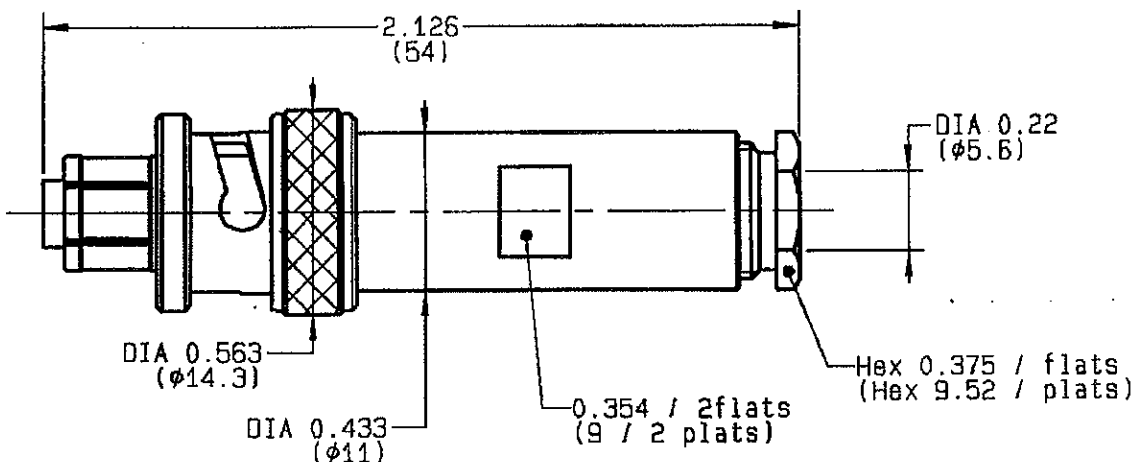


FEMALE STRAIGHT PLUG
CABLE 5/50



CABLES : -

CHARACTERISTICS

NOMINAL IMPEDANCE	50 Ω
FREQUENCY RANGE	0-2 GHz
TEMPERATURE RATING	-65/+165 °C
VSWR	1.2 + .3 x F(GHz)Max1
RF INSERTION LOSS	AD \sqrt{F} (GHz) dB Maxi
VOLTAGE RATING	6500 Vrms Max
DIELECTRIC WITHSTANDING VOLTAGE	12000 Vrms min
INSULATION RESISTANCE	5000 M Ω min
HERMETIC SEAL	- cc/s NA Atm.cm3/s
LEAKAGE (pressurized only)	- psi NA MPa
WEIGHT	0.8929 Oz 25 g

STANDARDISATION

CABLE RETENTION	39.65 lb min 180 N
CENTER CONTACT RETENTION	
Axial force - mating and	5.95 lb min 27 N
Axial force - opposite end	5.95 lb min 27 N
Torque (Min)	0 Inch.oz NA cm.N
RECOMMENDED TORQUES	
Mating	0 Inch.lb 0m.N
Panel nut	0 Inch.lb 0m.N
Clamp nut	13.25 Inch.lb 150 cm.N

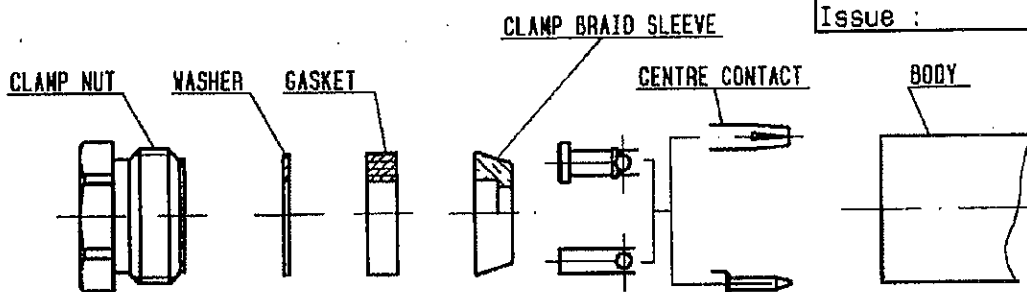
CONSTRUCTION

CONNECTOR PARTS	MATERIALS	FINISH
BODY	BRASS	NICKEL
OUTER CONTACT	BERYLLIUM COPPER	NICKEL
CENTER CONTACT	BERYLLIUM COPPER	GOLD
INSULATOR	PTFE	-
-	-	-
-	-	-
-	-	-
-	-	-

ISSUE	REVISION No	DESCRIPTION	BY	DATE

Initiated on 04/05/93
Superseded on - - -
The information given here is subject to change without notice. Design changes may be in order to improve the product.





①

Strip the cable .



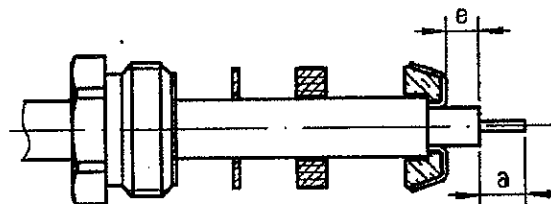
Stripping	a	b	c	d	e
inch	0.138	0.984	0	0	0.807
mm	3.5	25	-	-	20.5

②

Slide the clamp nut , the washer and the gasket onto the cable .

Slide clamp braid sleeve over braid .
Fold back braid and trim off surplus braid .

Trim back dielectric as shown .

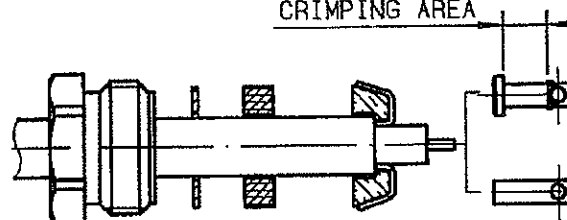


③

Slide on the centre contact until it bottoms against cable dielectric .

Crimp centre contact , crimping tool R282 223 000 (hex:0.068) or crimping tool R282 293 000 (M22520/5-01) + dies R282 235 011 (M22520/5-11).

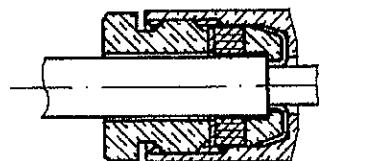
CRIMPING AREA



④

Screw sub-assembly into the connector body .

(recommended coupling torque 13.29 in.lb)



Hex. : 0.374/flats