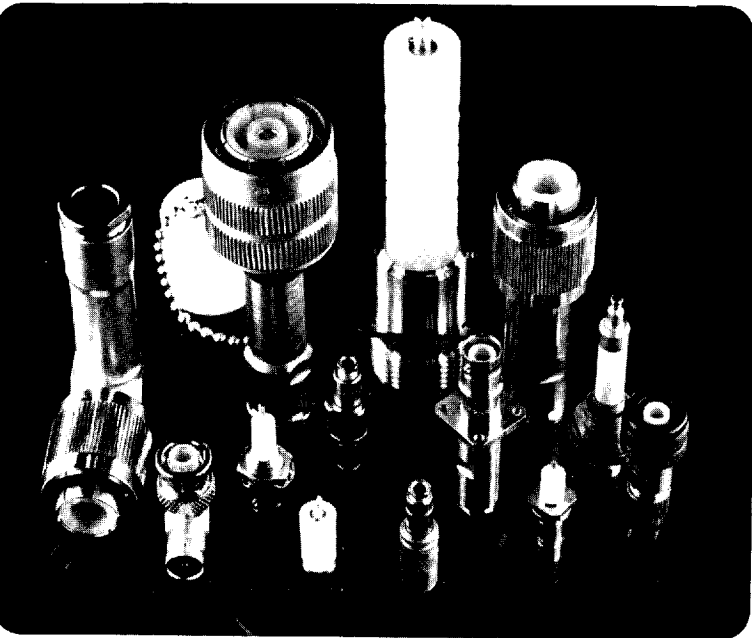


contents

PAGE	
3	Introduction
4	Cables suitable
5	Numerical listing of connectors shown in this catalogue
	M - HT (R 310 . . .) SERIES
6	General characteristics
7	Straight plug - Straight jack - Straight receptacle - Caps
	BNC - HT (R 316 . . .) SERIES
8	General characteristics
9	Straight plugs - Straight jacks
10	Receptacles - Adaptors
11	Adaptors - Accessories
	SHV (R 317 . . .) SERIES
12	General characteristics
13	Straight plugs - Straight jacks
14	Receptacles - Adaptors
	miniQUICK - HT (R 321 . . .) SERIES
15	General characteristics
16	Straight plugs - Straight jacks
17	Receptacles
18	Adaptors - Cap
	THT - 20 (R 331 . . .) SERIES
19	General characteristics
20	Straight plugs - Elbow plug - Straight jacks
21	Receptacles - Armoured cable clamp - Cap
22	THT - 20 B series
23	THT - 30 B series
	THT - 40 (R 346 . . .) SERIES
24	General characteristics
25	Straight plugs - Receptacles - Cap
26 to 29	Connector to cable assembly
30	Panel piercing
31	Power handling curve and coefficient of correction

HIGH VOLTAGE COAXIAL CONNECTORS



M.HT
BNC.HT
SHV series
MQ.HT
THT.20
THT.40

INTRODUCTION

This catalogue features 6 series of high voltage coaxial connectors from the miniature M - HT series up to the large THT - 40 series, varying in voltage from withstanding continuous voltages from 10 000 V to 40 000 V.

TEST VOLTAGES

The test voltages quoted in this catalogue are given as an indication only. The figures correspond to those made under normal atmospheric conditions during a test period of 1 minute as specified in the French standard NF - C - 20 600.

OPERATING VOLTAGES

The operating voltage chosen is the responsibility of the user depending on the conditions under which the connectors are to be used (environmental, safety factor, etc. . .). The cables listed on page 4 are recommended for their mechanical and dimensional suitability with our connectors. As to the electrical characteristics of the cables and in particular the maximum voltage capability, it is necessary to conform with the recommendations of the cable manufacturer.

CABLES SUITABLE

The cable groups are classified by ext. dia (mm) / impedance (Ω)

Other special cables, not listed below can also be used with certain connector series.

Cable Refs. CODE No. Page

CABLE 5/12

R 331 007 20

CABLE 2,6/50

RG. 174/U		
RG. 188 A/U		
RG. 316/U	R 310 002	7
URM 95	R 310 322	7
URM 109	R 317 003	13
URM 116		

CABLE 5/50

RG. 58 C/U		
RG. 141 A/U	R 316 007	9
RG. 142 B/U	R 316 207	9
RG. 223/U	R 316 257	9
RG. 303/U	R 317 005	13
RG. 400/U	R 317 072	13
URM 43	R 317 255	13
URM 72	R 317 270	13
URM 76	R 321 007	16
URM 108	R 321 257	16
URM 301		

CABLE 6/75

RG. 59 B/U		
RG. 140/U	R 316 011	9
URM 70	R 316 211	9
URM 90	R 316 261	9
KX. 6A	R 317 074	13
KX. 25	R 321 011	16
KX. 52	R 321 014	16
KX. 53	R 321 261	16
Filotex 17950		

Cable Refs. CODE No. Page

CABLE 10/50

	R 321 020	16
	R 321 085	16
UG. 165/U	R 331 018	20
RG. 213/U	R 331 168	20
RG. 215/U *	R 331 218	20
URM 67	R 331 268	20
	R 346 018	25
	R 346 268	25

CABLE 10/75

RG. 11 A/U	R 331 018	20
RG. 12 A/U *	R 331 168	20
RG. 144 A/U	R 331 218	20
URM 57	R 331 268	20
URM 64	R 346 018	25
	R 346 268	25

CABLE 11/50

RG. 214/U	R 331 018	20
RG. 225/U	R 331 168	20
URM 91	R 331 218	20
URM 112	R 331 268	20
	R 346 018	25
	R 346 268	25

CABLE 11/75

RG. 216/U	R 331 018	20
URM 60	R 331 168	20
75 MD	R 331 218	20
100 MD (98 Ω)	R 331 268	20
	R 331 323	20

* Armoured cables requiring the use of armoured cable clamp R 280 115 (MX 564 A/U) in place of the connector back nut - see page 21.

NUMERICAL LISTING OF CONNECTORS SHOWN IN THIS CATALOGUE

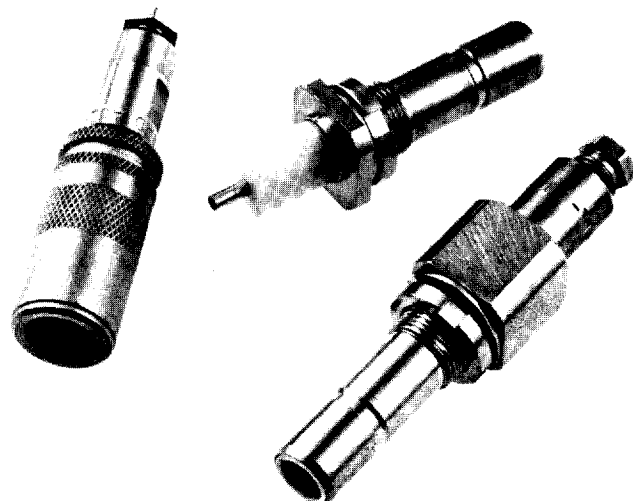
(by code no.)

Code No.	Page	Code No.	Page	Code No.	Page
R 280 115	21	R 316 780	11	R 321 261	16
R 280 503	11	R 316 812	11	R 321 405	17
				R 321 603	17
R 310 002 129	7	R 317 003	13	R 321 620	17
R 310 322	7	R 317 005	13	R 321 703	18
R 310 582	7	R 317 071	13	R 321 704	18
R 310 862	7	R 317 072	13	R 321 710	18
		R 317 074	13	R 321 812	18
		R 317 255	13		
R 316 004	9	R 317 270	13	R 331 007	20
R 316 007	9	R 317 404	14	R 331 018	20
R 316 011	9	R 317 404 290	14	R 331 168	20
R 316 015	9	R 317 405	14	R 331 218	20
R 316 072	9	R 317 580	14	R 331 268	20
R 316 207	9	R 317 580 290	14	R 331 323	20
R 316 211	9	R 317 603	14	R 331 405	21
R 316 257	9	R 317 720	14	R 331 603	21
R 316 261	9	R 317 720 160	14	R 331 803	21
R 316 405	10				
R 316 553	10	R 321 007	16		
R 316 603	10	R 321 011	16	R 346 018	25
R 316 704	10	R 321 014	16	R 346 268	25
R 316 714	10	R 321 020	16	R 346 405	25
R 316 754	11	R 321 085	16	R 346 603	25
R 316 770	11	R 321 257	16	R 346 803	25

HIGH VOLTAGE COAXIAL CONNECTORS

M.HT SERIES

R 310 ...



GENERAL CHARACTERISTICS

Miniature connectors designed with a dual operation coupling and locking mechanism.

- 1 - Automatic latching with low force push fit
- 2 - The connector coupling nut is then pushed forward, clamping the latching mechanism and locking the connectors. They can be seen to be locked as part of the black washer underneath the coupling nut is visible after the coupling nut has been pushed forward to lock the connectors.

Demating (and unlatching) is effected by a simple pulling movement of the coupling nut.

Materials : metal parts : brass and heat treated beryllium
 : insulators : PTFE and silicone rubber
 : plating : centre contacts gold - other pieces : NSR nickel

ELECTRICAL CHARACTERISTICS

Frequency range	:	0 - 2 GHz		
Test voltage	:	unmated connectors : 6 000 V D.C.] For Filotex cable 38421] 2000 V DC For other 2000 V DC cables
	:	mated pair : 20 000 V D.C.		
Current rating	:	5 A max.		

MECHANICAL AND ENVIRONMENTAL CHARACTERISTICS

Life : 500 matings min.
 Temperature range : - 50° C + 125° C
 Splashproof
 Salt spray : 96 H

COAXIAL CABLES SUITABLE

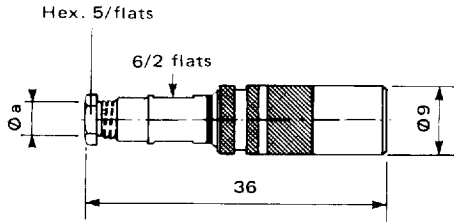
— FILOTEX Reference 38 421, edition 4

2,6 / 50 Ω					
RG 174/U	RG 188 A/U	RG 316/U	URM 95	URM 109	URM 116

M.HT series

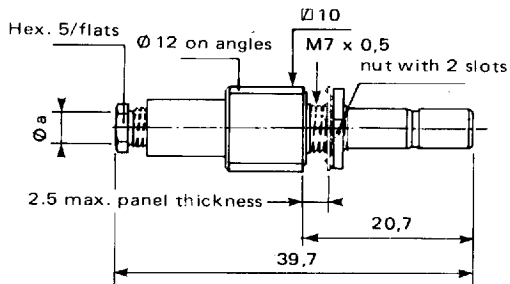
CODE No.	STYLE	Cable group Ω	max. $\varnothing a$	Assembly code	Panel piercing	Weight (g)
----------	-------	-------------------------	-------------------------	---------------	----------------	------------

STRAIGHT PLUG



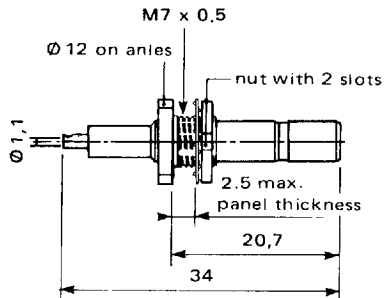
R 310 002 129*	Cable clamp	- 2,6/50 - Filotex 38421	3	K25-66		10
----------------	-------------	--------------------------------	---	--------	--	----

STRAIGHT JACK



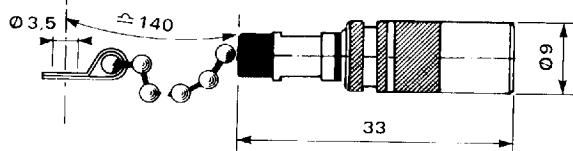
R 310 322*	Bulkhead mounting - panel seal Cable clamp	- 2,6/50 - Filotex 38421	3	K10-66	e 4	12
------------	---	--------------------------------	---	--------	-----	----

STRAIGHT RECEPTACLE



R 310 582*	Bulkhead mounting - panel seal				e 4	8
------------	--------------------------------	--	--	--	-----	---

CAPS



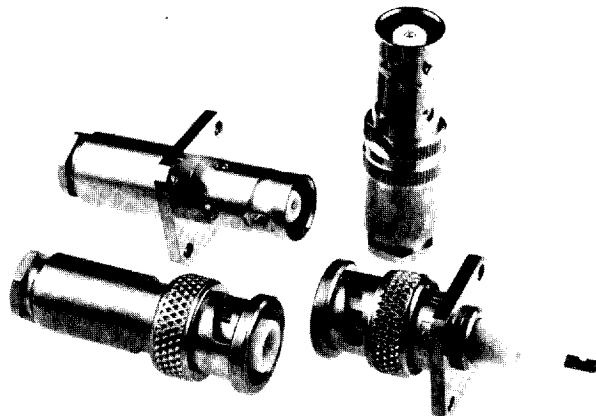
R 310 862*	short circuit cap and chain for jacks and receptacles					14
------------	---	--	--	--	--	----

* Manufactured upon request.

HIGH VOLTAGE COAXIAL CONNECTORS

BNC.HT series

R 316 ...



GENERAL CHARACTERISTICS

The connectors of this series are not intermateable with those of the BNC and SHV series.
2 pip bayonet coupling.

Materials : contacts and interfaces : brass and heat treated beryllium copper
 other metal parts : brass
 insulators : P.T.F.E. (styles R 316 780 and R 316 770, insulator polyethylene)
 gaskets : silicone rubber (styles R 316 780 and R 316 770, neoprene rubber)
 plating : NSR nickel - centre contacts, gold

ELECTRICAL CHARACTERISTICS

Test voltage : unmated connectors : male : 6 000 V D.C.
 female : 8 000 V D.C.
 mated pair : 10 000 V D.C.
 Impedance : 50 Ω
 Frequency range : 0 - 2 GHz
 V.S.W.R. : 1.20 +0.2 F (GHz) (plug and jack)
 Current rating : 10 A

MECHANICAL AND ENVIRONMENTAL CHARACTERISTICS

Life : 500 mating
 Vibration : 20 g - 2 000 Hz
 Shock : 50 g
 Salt spray : 48 H
 Temperature range : - 55°C + 155°C (except styles with polyethylene insulator) :
 - 40°C + 70°C

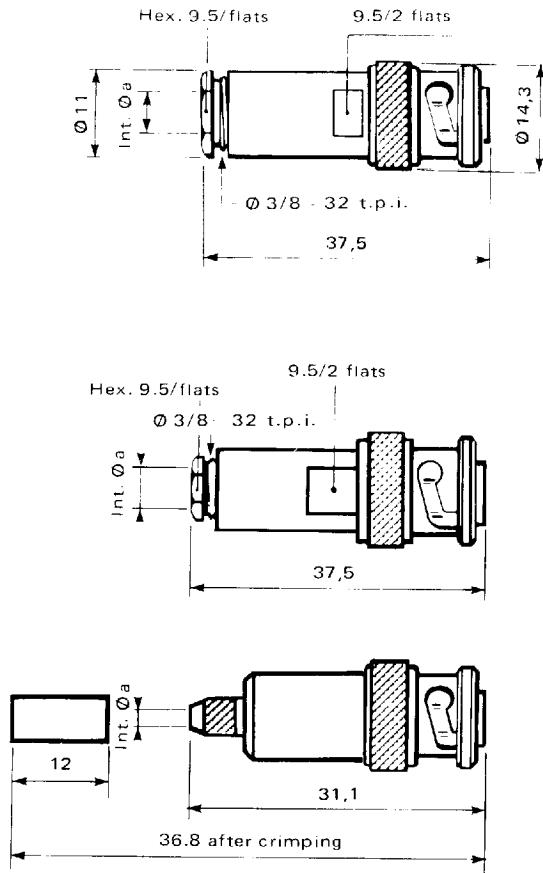
COAXIAL CABLES SUITABLE

5/50 Ω	6/75 Ω
RG. 58 C/U	RG. 59 B/U
RG. 141 A/U	RG. 140/U
RG. 142 B/U	URM 70
RG. 223/U	URM 90
RG. 303/U	KX. 6 A
RG. 400/U	KX. 25
URM 43	KX. 52
URM 72	KX. 53
URM 76	
URM 108	
URM 301	

BNC.HT series

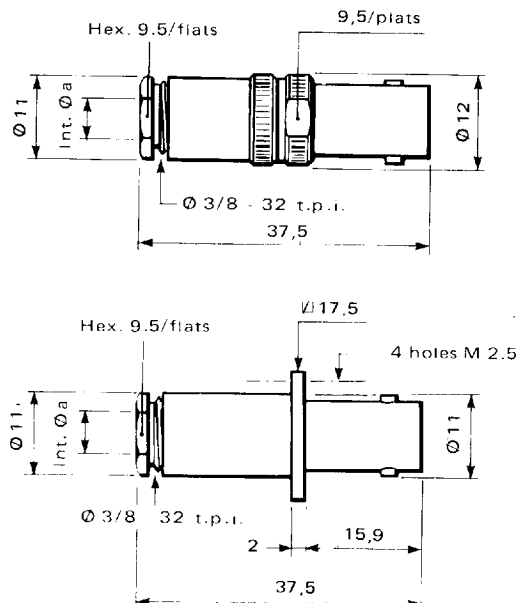
CODE No.	STYLE	Cable Group Ω	max. ϕ_a	Assembly code	Panel piercing	Weight (g)
----------	-------	-------------------------	------------------	---------------	----------------	------------

STRAIGHT PLUGS



R 316 004	Cable clamp	2,6/50	3	(not shown)		20
R 316 007	Cable clamp	5/50	5,4	K13-67		20
R 316 011	Cable clamp Interchangeable with UG932/U	6/75	6,5	K13-67		19
R 316 015*	Cable clamp	Filotex 17950	6,5	K13-67		19
R 316 072	Crimp	RG. 58C/U KX.15 S.SCR.	3,2			15

STRAIGHT JACKS



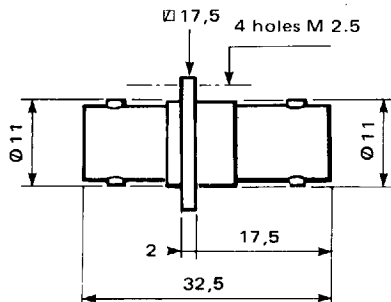
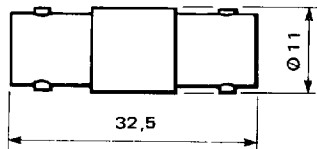
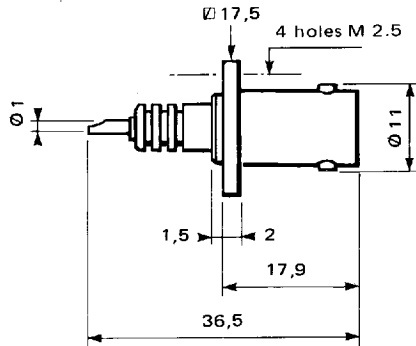
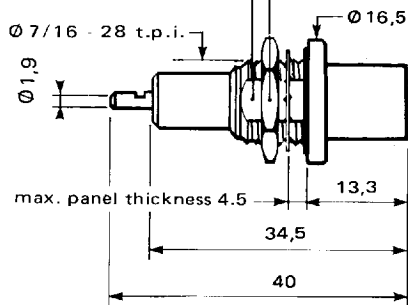
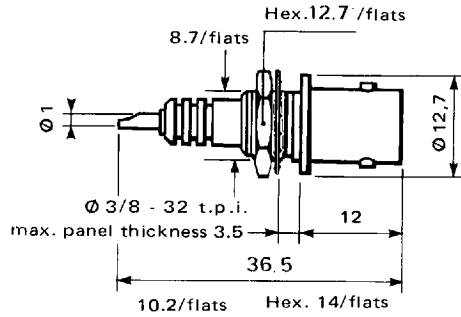
R 316 207	Cable clamp	5/50	5,4	K13-67		16
R 316 211	Cable clamp	6/75	6,5	K13-67		15
R 316 257	Square flange - cable clamp	5/50	5,4	K13-67	a 14	17,5
R 316 261	Square flange - cable clamp	6/75	6,5	K13-67	a14	18,5

* Manufactured upon request.

BNC.HT series

CODE No.	STYLE	Cable Group Ω		Assembly code	Panel Piercing	Weight (g)
----------	-------	----------------------	--	---------------	----------------	------------

RECEPTACLES



R 316 553	Bulkhead mounting				d 28	8,5
R 316 603	Bulkhead mounting panel seal - Watertight : - 40°C + 70°C - at pressure : 3.5 bar max.				d 29	15
R 316 405	Square flange mounting Interchangeable with UG. 931/U				a 14	10

ADAPTORS

R 316 704	Straight female - female					11
R 316 714	Square flange female - female				a 14	19

BNC.HT series

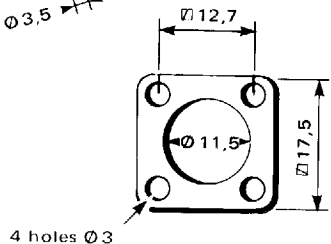
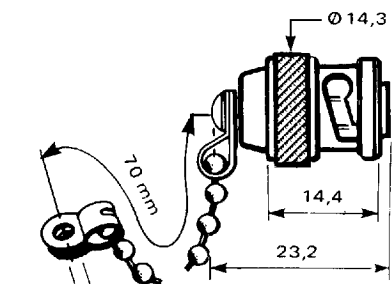
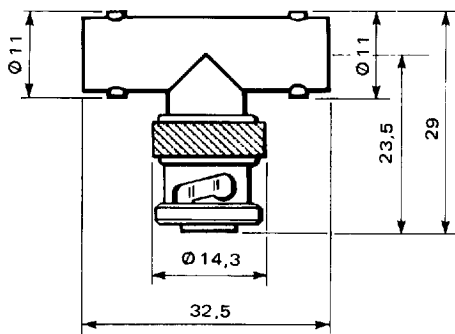
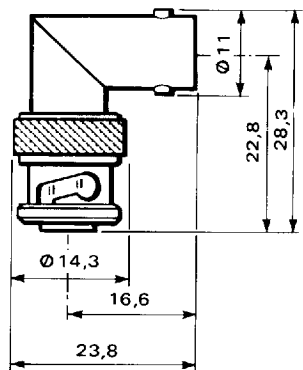
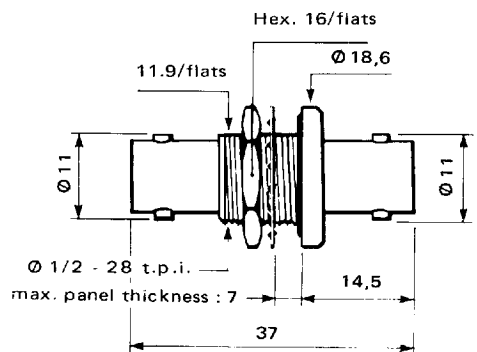
CODE No.	STYLE	Cable Group Ω	Assembly code	Panel piercing	Weight (g)
----------	-------	-------------------------	---------------	----------------	------------

ADAPTORS

R 316 754	Bulkhead female - female with panel seal - Watertight : - 40°C to +85°C - at pressure : 3.5 bar max.			d18	21
R 316 770	Elbow male - female polyethylene insulator				17
R 316 780	Tee female - female - male polyethylene insulator				19

ACCESSORIES

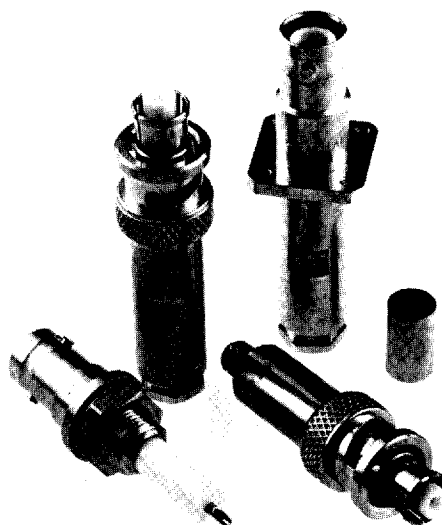
R 316 812	Protection cap and chain, ensures a watertight seal and electrical insulation when mated with BNC.HT female connectors				14
R 280 503	Neoprene flange gasket				



HIGH VOLTAGE COAXIAL CONNECTORS

SHV series

R 317 ...



These safe high voltage connectors meet all requirements of the NIM Standard (Nuclear Instrumentation Module) Specification ND 545 Amendment A. Both the pin and socket contacts are securely recessed inside the insulation to prevent the danger of electrical shock when live unmated connectors are handled. They are particularly recommended for impulse circuits of linear accelerators as well as in military, nuclear and medical electronics.

In general, this series should be considered for use where the user is anxious to work under conditions of guaranteed safety.

GENERAL CHARACTERISTICS

These connectors are not intermateable with those of the BNC and BNC.HT series. 2 pip bayonet coupling.

Materials : contacts and interfaces : heat treated beryllium copper
 : other metal parts : brass
 : insulators : P.T.F.E. or polyethylene
 Plating : NSR nickel-centre contacts, gold

ELECTRICAL CHARACTERISTICS

Impedance : 50 Ω
 Frequency range : 0 - 2 GHz
 V.S.W.R. : < 1.20 + 0.3 F (GHz) - (plug and jack)
 Contact resistance : centre contact < 2.1 m Ω - outer contact < 1.5 m Ω
 Test voltage : unmated connectors : 10 000 V D.C. - 1 mn
 : mated pair : 12 000 V D.C. - 1 mn
 Current rating : 10 A

MECHANICAL AND ENVIRONMENTAL CHARACTERISTICS

Contact to cable retention force : > 27 Newton
 Coupling nut retention force : > 450 Newton
 Cable retention : > 180 Newton
 Vibration : 10 g - 500 Hz to MIL-STD-202, method 204, condition A
 Shock : to MIL-STD-202, method 213 B, condition A
 Life : 500 matings
 Temperature range : - 65°C + 165°C
 Salt spray : to MIL-STD-202, method 101, condition B - 48 H

COAXIAL CABLES SUITABLE

2.6/50 + 75 Ω		5/50 Ω		6/75 Ω	
RG. 174 /U	URM 95	RG. 58 C/U	URM 43	RG. 59 B/U	KX. 6A
RG. 179 B/U	URM 109	RG. 141 A/U	URM 72	RG. 140 /U	KX. 25
RG. 316 /U	URM 116	RG. 142 B/U	URM 76	URM 70	KX. 52
		RG. 223 /U	URM 108	URM 90	KX. 53
		RG. 303 /U	URM 301		
		RG. 400 /U			

CODE No.	STYLE	Cable group Ω	max. \varnothing_a	Assembly code	Panel piercing	Weight (g)
----------	-------	----------------------	----------------------	---------------	----------------	------------

STRAIGHT PLUGS

	R 317 003*	Cable clamp - captive contact	2,6/50 + 75	3		26
	R 317 005	Cable clamp - captive contact	5/50	5,6	K13-68	25
	R 317 071*	Crimp - Nuclear radiation resistant	5/50 S.SCR.	5,5	K43-75A	
	R 317 072	Crimp	5/50 S.SCR	5,5	K43-75A	21
	R 317 074	Crimp	6/75	6,6	K43-75A	21

STRAIGHT JACKS

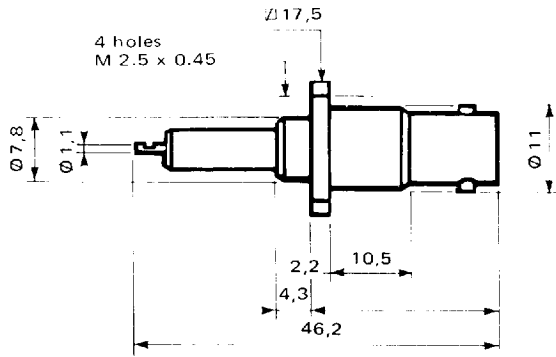
	R 317 255	Square flange - cable clamp captive contact	5/50	5,6	K13-68	a14 25
	R 317 270	Square flange - crimp	5/50 S.SCR	5,5	K43-75A	a14 22

• Manufactured upon request.

SHV series

CODE No.	STYLE	Cable group Ω	Assembly code	Panel piercing	Weight (g)
----------	-------	-------------------------	---------------	----------------	------------

RECEPTACLES



R 317 405

Square flange mounting
4 holes M 2.5 x 0.45 (7.56 UNCF 2B)

a8-a14

15

R 317 404

Square flange mounting
4 holes 3.2 Ø

a16-a45

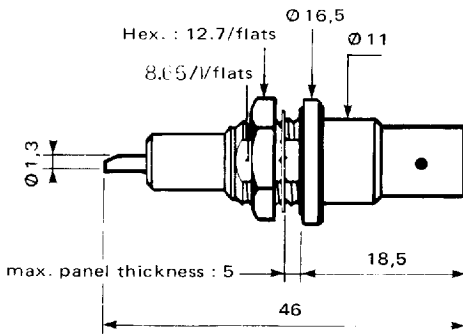
15

R 317 404 290*

Square flange mounting
4 holes 3.2 Ø
Nuclear radiation resistant

a16-a45

15



R 317 580

Bulkhead mounting

d11

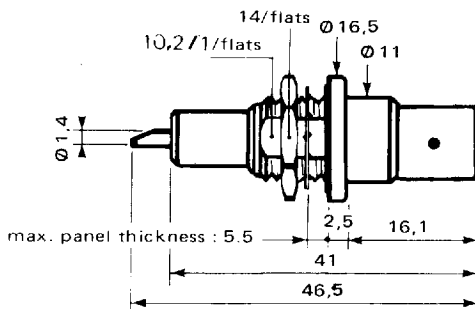
25

R 317 580 290*

Bulkhead mounting -
Nuclear radiation resistant

d11

12

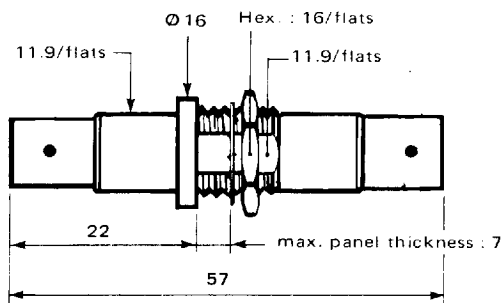


R 317 603*

Bulkhead mounting -
panel seal.

20

ADAPTORS



R 317 720

Bulkhead mounting -
jack - jack

d12

29

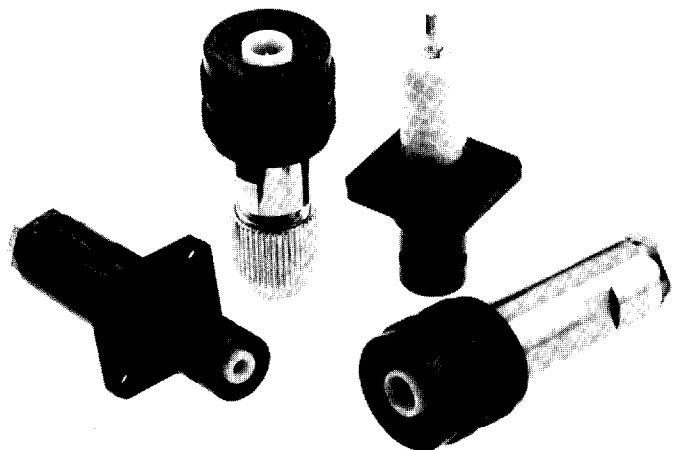
R 317 720 160*

Bulkhead mounting
jack - jack
Nuclear radiation resistant

Polyethylene insulator

d12

29



mini QUICK .HT series

R 321 ...

GENERAL CHARACTERISTICS

These connectors have a special instantaneous automatic latching system which has been patented. They are not intermateable with the miniQUICK series.

Materials	:	contacts and interfaces	:	heat treated beryllium bronze
		other metal parts	:	brass
		insulators	:	P.T.F.E.
		gaskets	:	silicone rubber
Plating	:		:	nickel chrome
Plating of contacts	:		:	gold

ELECTRICAL CHARACTERISTICS

Test voltage	:	unmated connectors	:	7 000 V D.C.
		mated pair	:	12 000 V D.C.
— threshold of corona discharge	:		:	4 500 V r.m.s. - 50 Hz (LCIE certificate N° 137656C)
Impedance	:		:	50 Ω
Frequency range	:		:	0 - 2 GHz
V.S.W.R.	:		:	< 1.20 +0.3 F (GHz) - (plug and jack)
Current rating	:		:	20 A

MECHANICAL AND ENVIRONMENTAL CHARACTERISTICS

Life	:	1 000 matings
Vibration	:	20 g - 2 000 Hz
Shock	:	50 g
Salt spray	:	48 H
Temperature range	:	- 40°C + 100°C

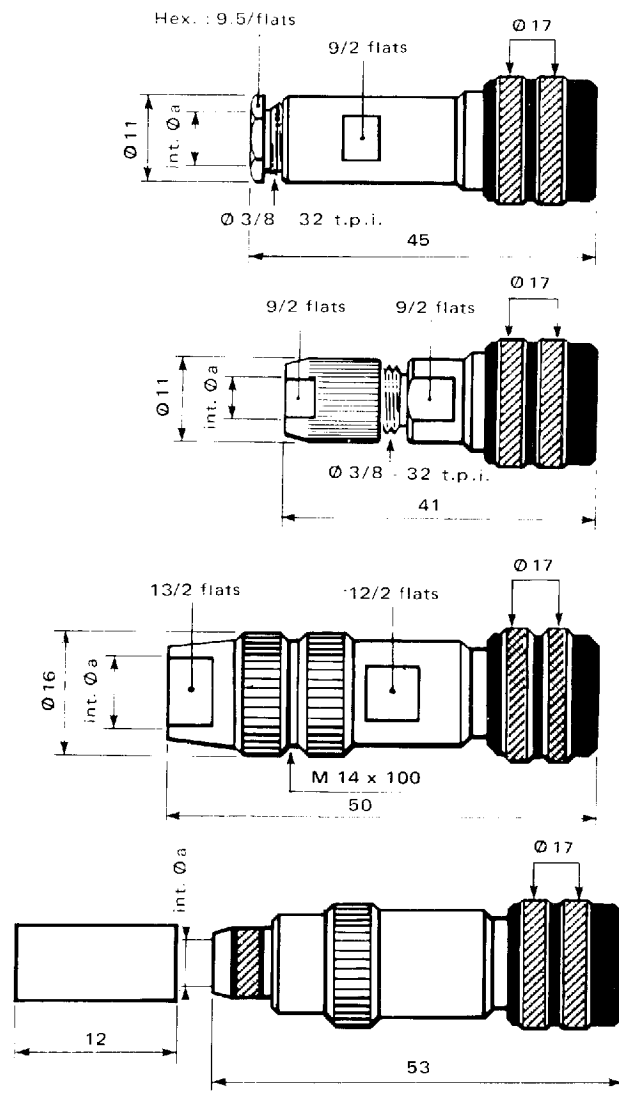
COAXIAL CABLES SUITABLE

5/50 Ω		6/75 Ω		10/50 Ω
RG. 58 C/U	URM 43	RG. 59 B/U	KX. 6A	RG. 165/U
RG. 141 A/U	URM 72	RG. 140 /U	KX. 25	RG. 213/U
RG. 142 B/U	URM 76	URM 70	KX. 52	URM 67
RG. 223 /U	URM 108	URM 90	KX. 53	
RG. 303 /U	URM 301			
RG. 400 /U				

mini QUICK.HT series

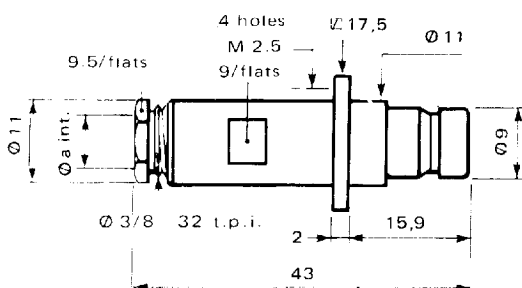
CODE No.	STYLE	Cable group Ω	max. $\varnothing a$	Assembly code	Panel piercing	Weight (g)
----------	-------	-------------------------	-------------------------	---------------	----------------	------------

STRAIGHT PLUGS



R 321 007	Cable clamp	5/50	5,4	K13-69		32
R 321 011	Cable clamp	6/75	6,4	k13-69		31
R 321 014*	Improved cable clamp	Filotex 17950	6,4	K56-70		33
R 321 020*	Improved cable clamp	10/50	11,2	K56-76		33
R 321 085*	Crimp	10/50	7,5	K43-75B		55

STRAIGHT JACKS

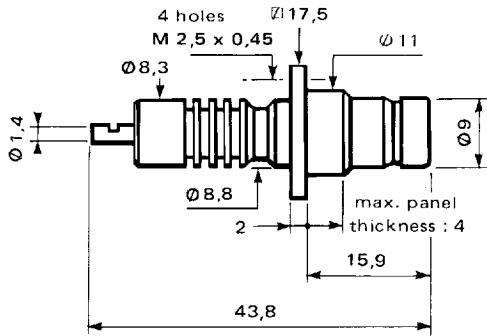


R 321 257*	Square flange - cable clamp	5/50	5,4	K13-69	a14	21
R 321 261*	Square flange - cable clamp	Filotex 17950	6,4	K13-69	a14	20

mini QUICK.HT series

CODE No.	STYLE	Cable group Ω	max. ϕ_a	Assembly code	Panel piercing	Weight (g)
----------	-------	-------------------------	------------------	---------------	----------------	------------

RECEPTACLES

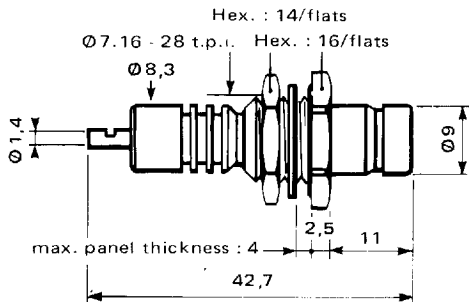


R 321 405

Square flange mounting

a11-a14

15

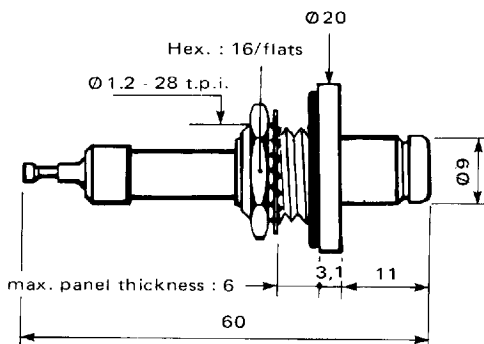


R 321 603

Bulkhead mounting panel seal

e 6

14



R 321 620

Hermetically sealed bulkhead mounting

e 8

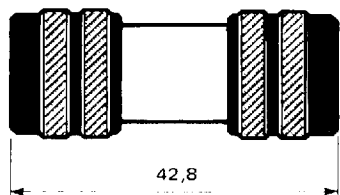
25

- Ceramic insulation
- Viton gasket
- Leakage rate : $< 10^{-8}$ atm/cm³/sec.
- Temperature range : $- 80^{\circ}\text{C} + 250^{\circ}\text{C}$
(flange braised onto panel)
- Flange mounted with viton gasket onto panel
- Pressure : 30 bars

mini QUICK.HT series

CODE No.	STYLE	Cable group Ω	max. \varnothing_a	Assembly code	Panel piercing	Weight (g)
----------	-------	-------------------------	-------------------------	---------------	----------------	------------

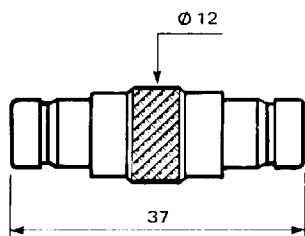
ADAPTORS



R 321 703°

Straight
male - male

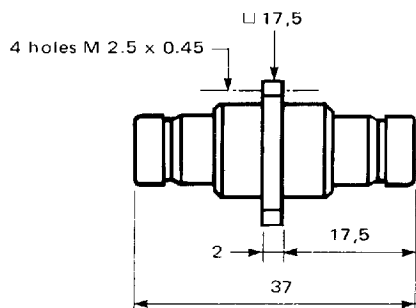
45



R 321 704°

Straight
female - female

40



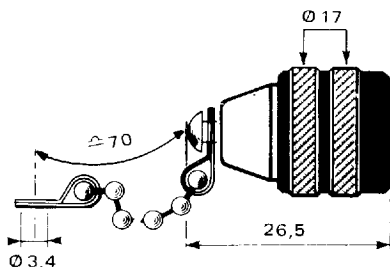
R 321 710°

Flange
female - female

a14

18

CAP

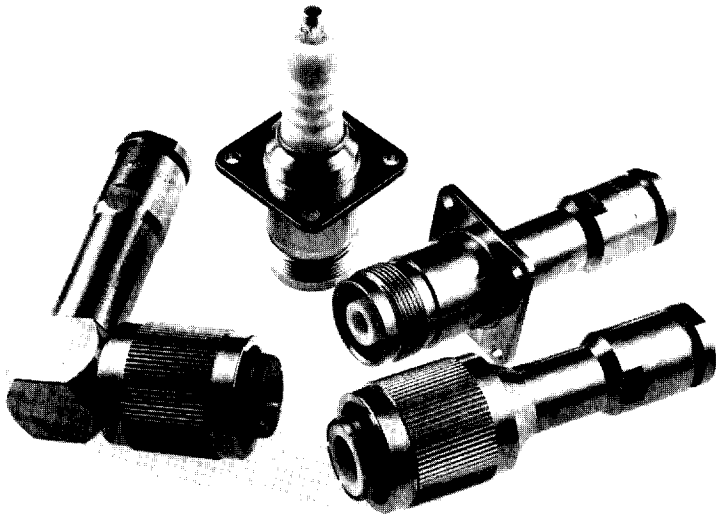


R 321 812°

Protection cap and chain, ensures a watertight seal and electrical insulation when mated with miniQUICK female connectors.

30

HIGH VOLTAGE COAXIAL CONNECTORS



THT.20 series

R 331 ...

GENERAL CHARACTERISTICS

Screw coupling.

Female centre contact has a 4 mm internal dia. which allows testing with standard banana plugs.

Materials : metal parts : brass and heat treated beryllium copper
 insulators : P.T.F.E. - polyethylene or polystyrene
 gaskets : silicone rubber

Plating : NSR nickel - centre contacts, gold

ELECTRICAL CHARACTERISTICS

Test voltage : unmated connectors : 10 000 V D.C.
 mated pair : 20 000 V D.C.

Impedance : 50 Ω

Frequency range : 0 - 1 GHz

Current rating : 20 A.

MECHANICAL AND ENVIRONMENTAL CHARACTERISTICS

Life : 500 matings

Salt spray : 48 H

Splashproof

Temperature range : - 40°C + 70°C (polyethylene or styramic insulators)
 - 55°C + 125°C (P.T.F.E. insulator)

COAXIAL CABLES SUITABLE

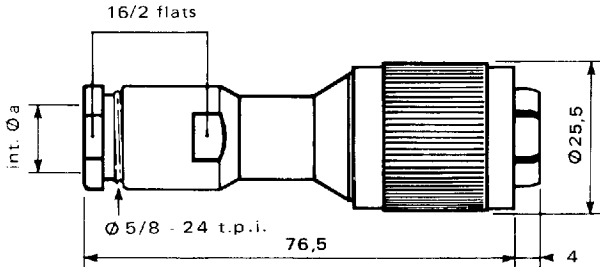
10/50 Ω	10/75 Ω	11/50 Ω	11/75 + 98 Ω
RG. 165/U RG. 213/U RG. 215/U ★ URM 67	RG. 11 A/U RG. 12 A/U ★ RG. 144 /U URM 57 URM 64	RG. 214/U RG. 225/U URM 91 URM 112	RG. 216/U URM 60 75 MD 100 MD (98 Ω)

★ Armoured cables requiring the use of armoured cable clamp R. 280 115 (MX. 564 A/U) in place of the connector back nut - see page 21)

THT.20 series

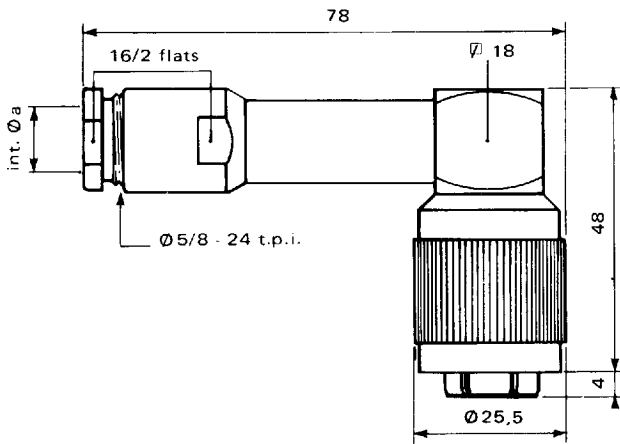
CODE No.	STYLE	Cable group Ω	max. \varnothing_a	Assembly code	Panel piercing	Weight (g)
----------	-------	-------------------------	-------------------------	---------------	----------------	------------

STRAIGHT PLUGS



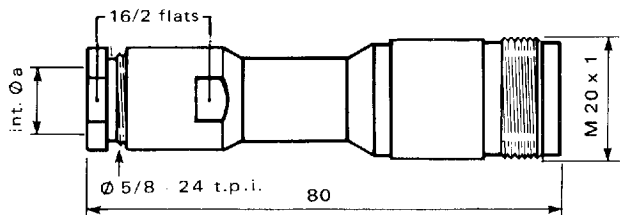
R 331 018	Cable clamp	10/50 10/75 11/50 11/75	11,2	K13-77		100
R 331 007	Cable clamp	5/12	5,4	K57-77		100

ELBOW PLUG

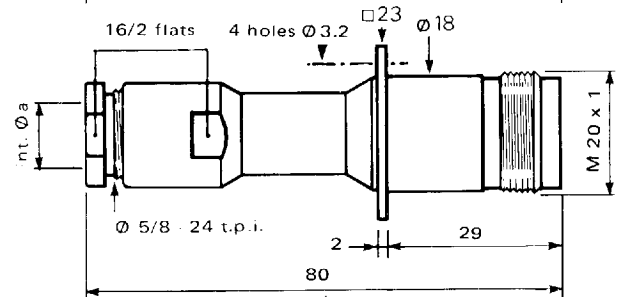


R 331 168	Cable clamp	10/50 10/75 11/50 11/75	11,2	K13-71		130
-----------	-------------	----------------------------------	------	--------	--	-----

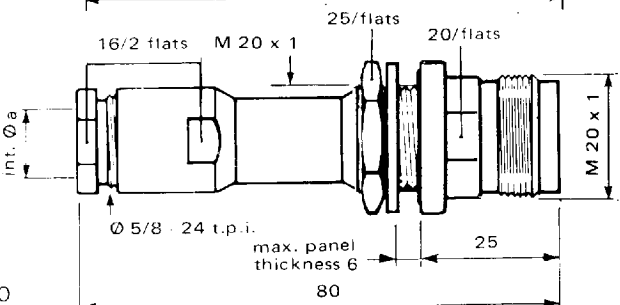
STRAIGHT JACKS



R 331 218	Cable clamp	10/50 10/75 11/50 11/75	11,2	K13-77		80
-----------	-------------	----------------------------------	------	--------	--	----



R 331 268*	Square flange mounting - cable clamp	10/50 10/75 11/50 11/75	11,2	K13-77	a 31 a 34	88
------------	--------------------------------------	----------------------------------	------	--------	--------------	----



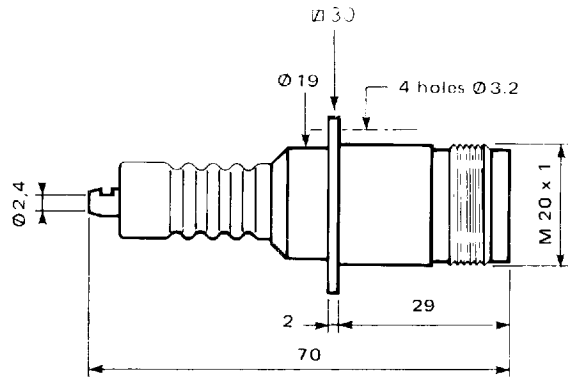
R 331 323	Bulkhead mounting panel seal - cable clamp	11/75			e 12	95
-----------	--	-------	--	--	------	----

* Manufactured upon request.

THT.20 series

CODE No.	STYLE	Cable group Ω	max. \varnothing_a	Assembly code	Panel piercing	Weight (g)
----------	-------	----------------------	----------------------	---------------	----------------	------------

RECEPTACLES

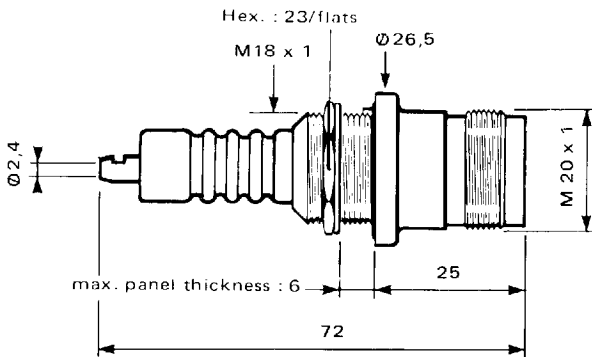


R 331 405

Square flange -
P.T.F.E.
insulator

a31-a34

73



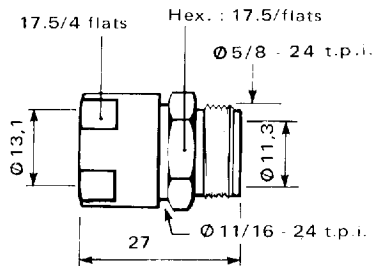
R 331 603

Bulkhead,
panel seal
P.T.F.E.
insulator

J7

75

ARMoured CABLE CLAMP



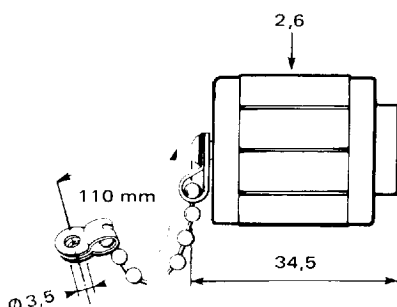
R 280 115*

Other ref.
MX. 564 A/U

For armoured cables this cable clamp is fitted in place of the connector back nut.

27

CAP



R 331 803

For THT 20
female
connectors

This cap and chain ensures a dust and watertight seal and electrical insulation when mated. The body of these caps is entirely made of styramic plastic.

20

THT.20.B series

THT 20 B bayonet coupling version of THT 20 are not used to such a large extent as the THT 20 series. It is Radiall's intention to withdraw this series from our range. We suggest that you consider using the THT 20 series which are very similar except for the method of coupling and offer the same performance.

For existing users, we are continuing to hold stocks of these connectors but we ask you to take this information into consideration when specifying these series for future use.

THT 20 - THT 20 B EQUIVALENT CROSS REFERENCE LIST.

THT 20	THT 20 B
R 331 018	R 332 018
R 331 007	R 332 007
R 331 323	R 332 323
no exact equivalent	R 332 510
R 331 603	R 332 603
R 331 803	R 332 803
no exact equivalent	R 332 802

THT.30.B series

THT 30 B are not used to such a large extent as the THT 40 series. It is Radiall's intention to withdraw this series from our range. We suggest that you consider using the THT 40 series which are similar except for the method of coupling and offer a better performance.

For existing users, we are continuing to hold stocks of these connectors but we ask you to take this information into consideration when specifying these series for future use.

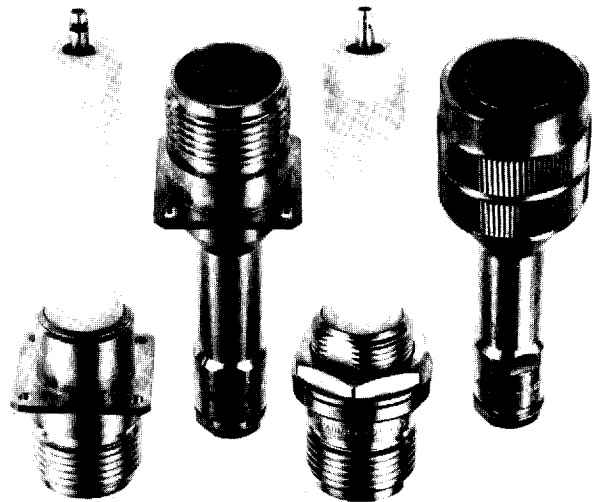
THT 30 B - THT 40 EQUIVALENT CROSS REFERENCE LIST

THT 30 B	THT 40
R 341 018	R 346 018
R 341 603	R 346 603
R 341 841	no exact equivalent
R 341 803	R 346 803

HIGH VOLTAGE COAXIAL CONNECTORS

THT.40 series

R 346 ...



GENERAL CHARACTERISTICS

Materials : metal parts : brass
 : insulators : high voltage polyethylene
 Plating : NSR nickel - centre contact, gold

ELECTRICAL CHARACTERISTICS

Test voltage : unmated connectors : 10 000 V D.C. -
 : mated pairs : 40 000 V D.C. -
 Impedance : 50 Ω
 Frequency range : 0 - 700 MHz
 Current rating : 25 A

MECHANICAL AND ENVIRONMENTAL CHARACTERISTICS

Life : 500 matings
 Temperature range : - 40°C + 70°C
 Splashproof
 Salt spray : 48 H

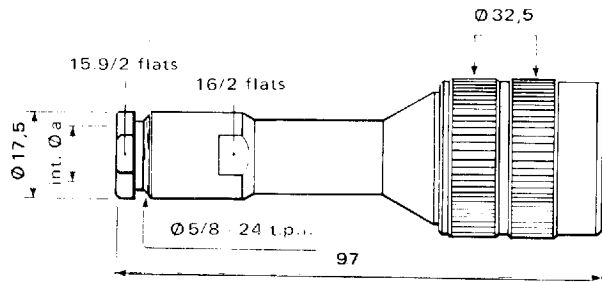
COAXIAL CABLES SUITABLE

10/50 Ω	10/75 Ω	11/50 Ω	11/75 + 98 Ω
RG. 165/U RG. 213/U RG. 215/U ★ URM 67	RG. 11 A/U RG. 12 A/U ★ RG. 144 /U URM 57 URM 64	RG. 214/U RG. 225/U URM 91 URM 112	RG. 216/U URM 60 75 MD 100 MD (98 Ω)

★ Armoured cables requiring the use of armoured cable clamp R 280 115 (MX. 564 A/U) in place of the connector back nut - see page 21.

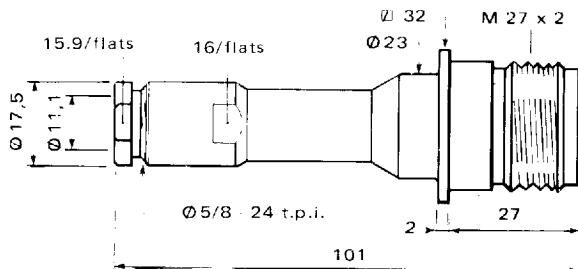
THT.40 series

CODE No.	STYLE	Cable group Ω	max. ϕ_a	Assembly code	Panel piercing	Weight (g)
----------	-------	----------------------	---------------	---------------	----------------	------------



STRAIGHT PLUGS

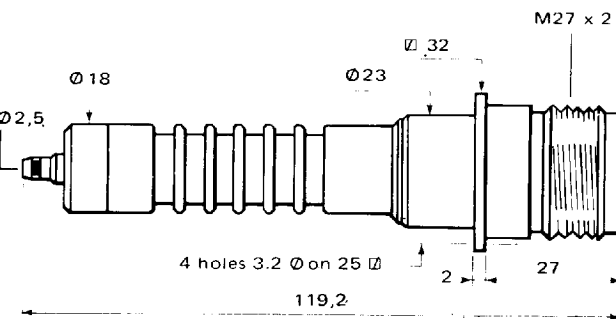
R 346 018*	Cable clamp	10/50 10/75 11/50 11/75	11,1	K13-73		180
------------	-------------	----------------------------------	------	--------	--	-----



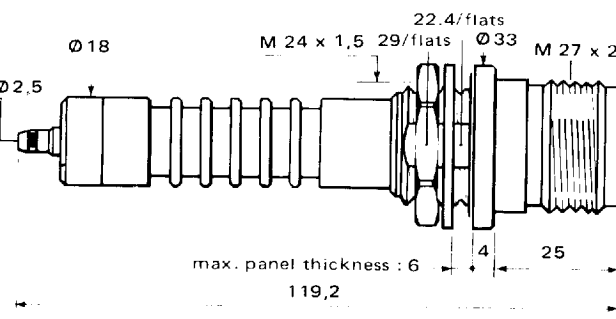
STRAIGHT FLANGE JACK

R 346 268*	Cable clamp	10/50 10/75 11/50 11/75	11,1	K13-73	a37-a39	160
------------	-------------	----------------------------------	------	--------	---------	-----

RECEPTACLES

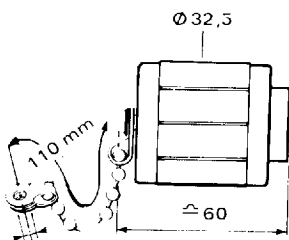


R 346 405*	Square flange mounting				a37-a39	120
------------	------------------------	--	--	--	---------	-----



R 346 603*	Bulkhead mounting, panel seal				d26	126
------------	-------------------------------	--	--	--	-----	-----

CAP

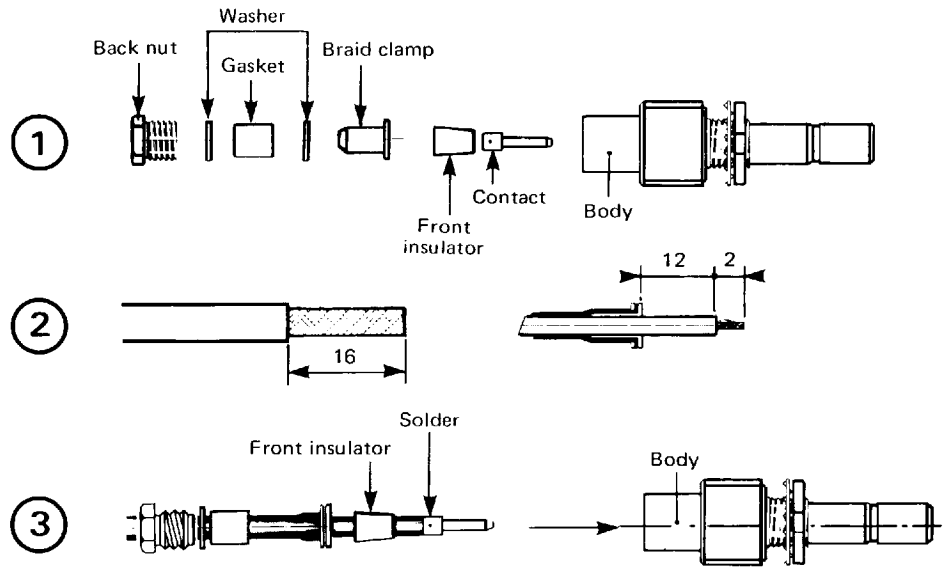


R 346 803*	Protection cap for THT 40 jacks and receptacles					30
------------	---	--	--	--	--	----

CONNECTOR TO CABLE ASSEMBLY

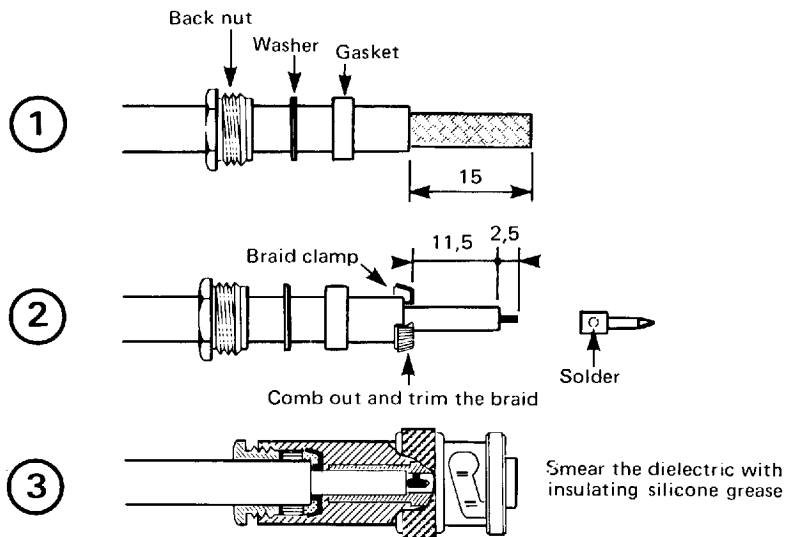
K10-66

COUPLING TORQUE
40 N cm



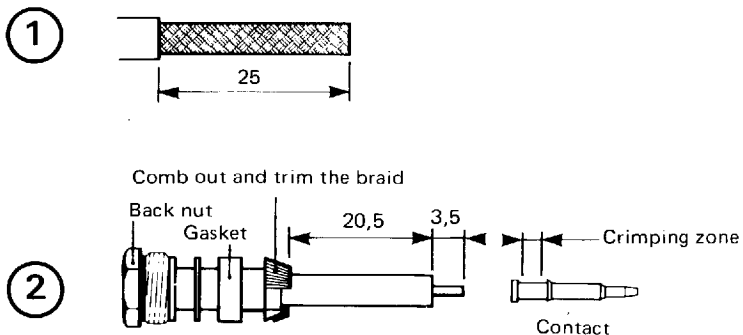
K13-67

COUPLING TORQUE
150 N cm



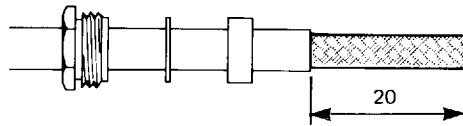
K13-68

COUPLING TORQUE
150 Ncm



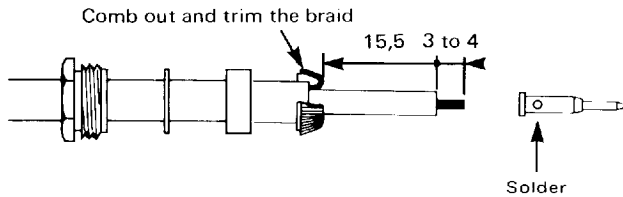
CONNECTOR TO CABLE ASSEMBLY

K13-69

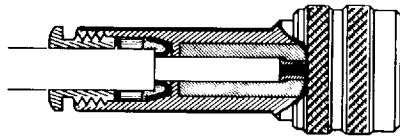


①

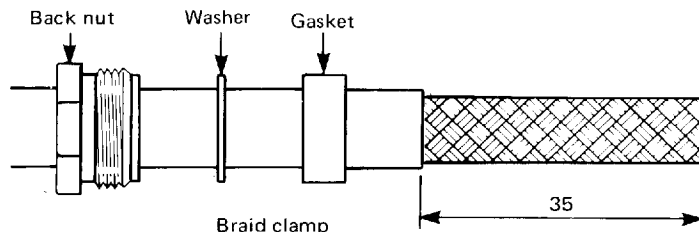
COUPLING TORQUE
150 Ncm



②



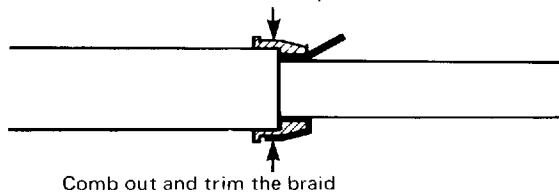
③



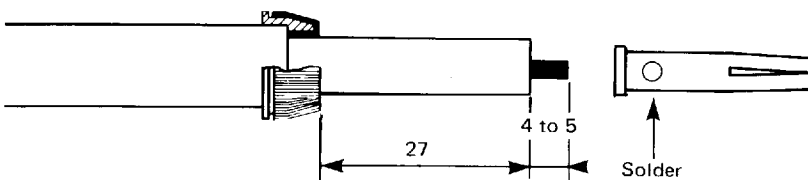
①

K13-71

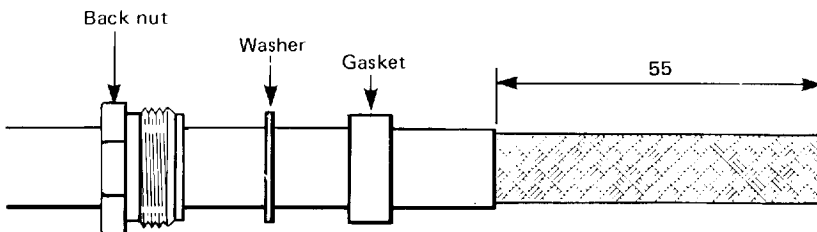
COUPLING TORQUE
800 Ncm



②



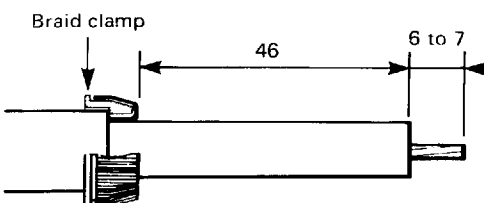
③



①

K13-73

COUPLING TORQUE
800 Ncm



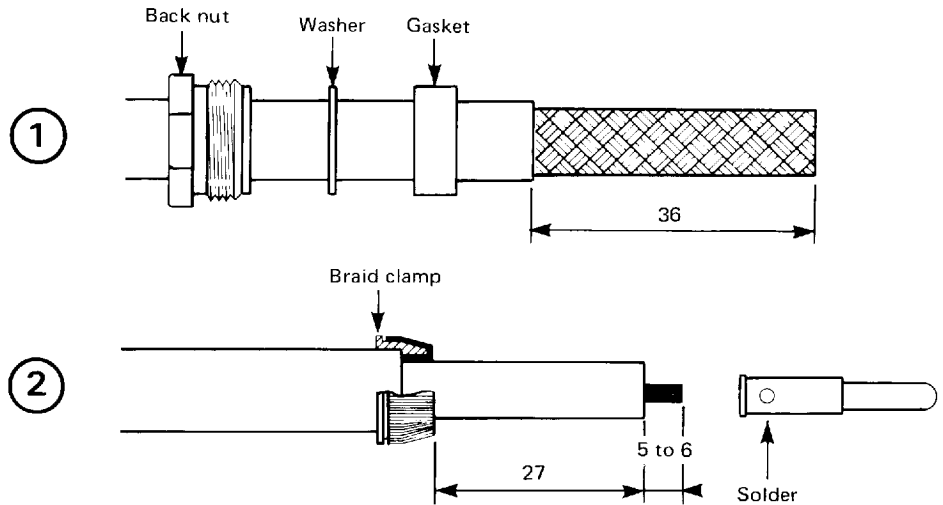
②

Solder

CONNECTOR TO CABLE ASSEMBLY

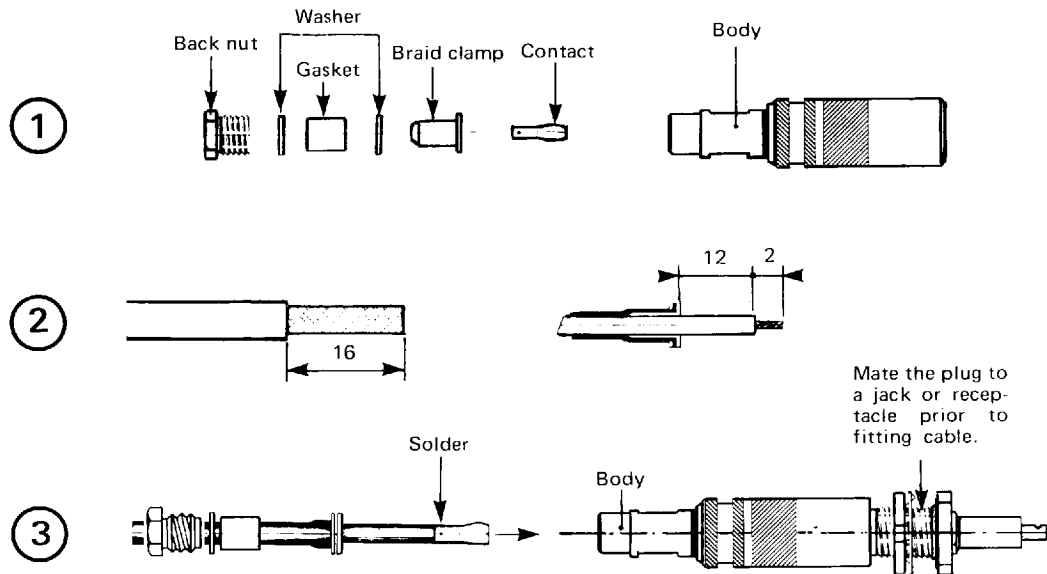
K13-77

COUPLING TORQUE
800 Ncm



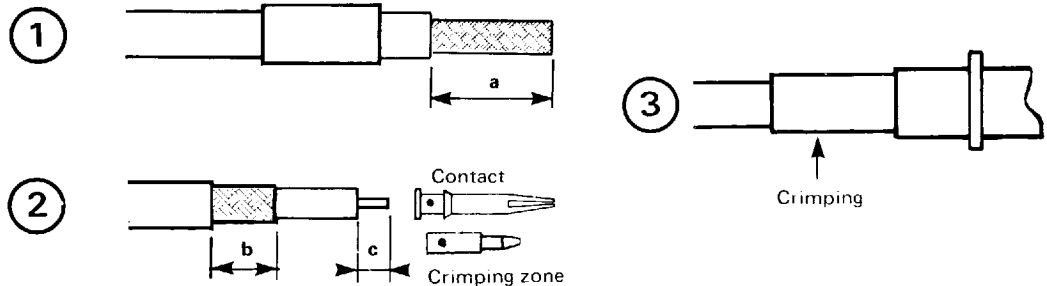
K25-66

COUPLING TORQUE
40 Ncm



K43-75

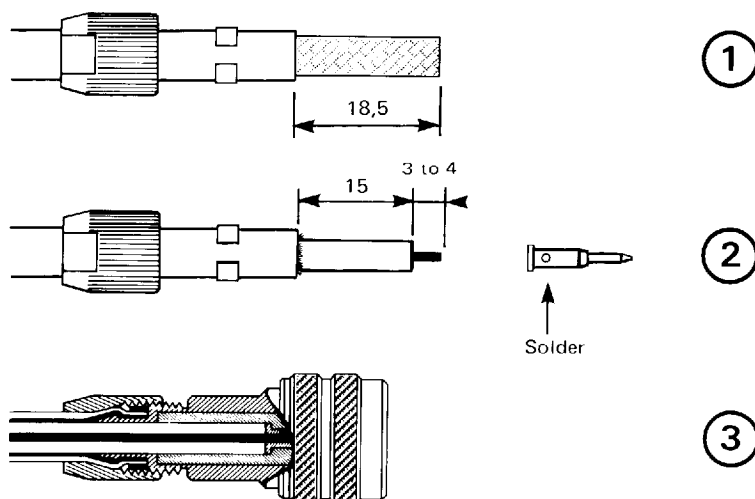
A
B
C



	Code No.	a	b	c	Hex. Core	Hex. Ferrule	Crimp tool
A	R 317 071	30	6,5	3,5	1,7	6,35	R 282 221
	R 317 072					5,4	R 282 216
	R 317 074					6,35	R 282 221
	R 317 270					5,4	R 282 216
B	R 321 085	32	8	5	2,54	10,54	R 282 231
C	R 316 072	19,5	6,5	2,5	NA	5,4	R 282 216

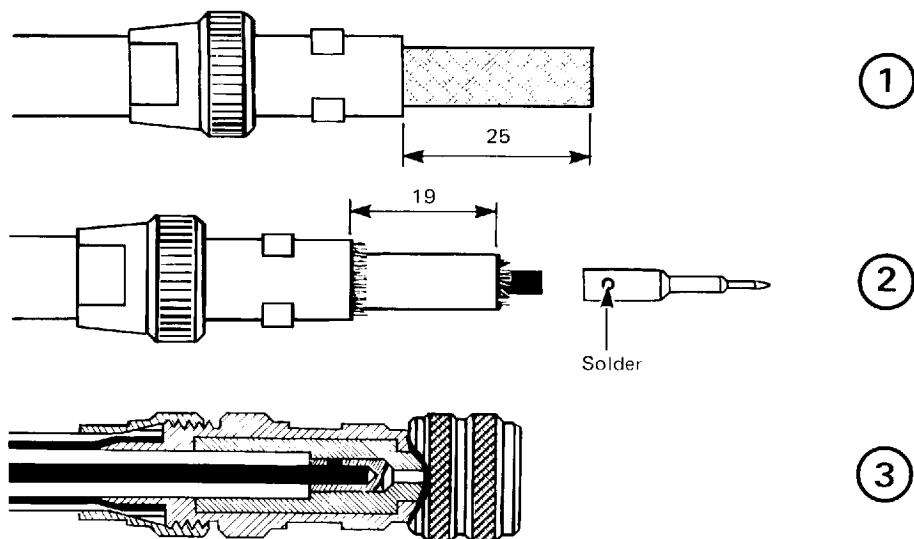
CONNECTOR TO CABLE ASSEMBLY

K56-70



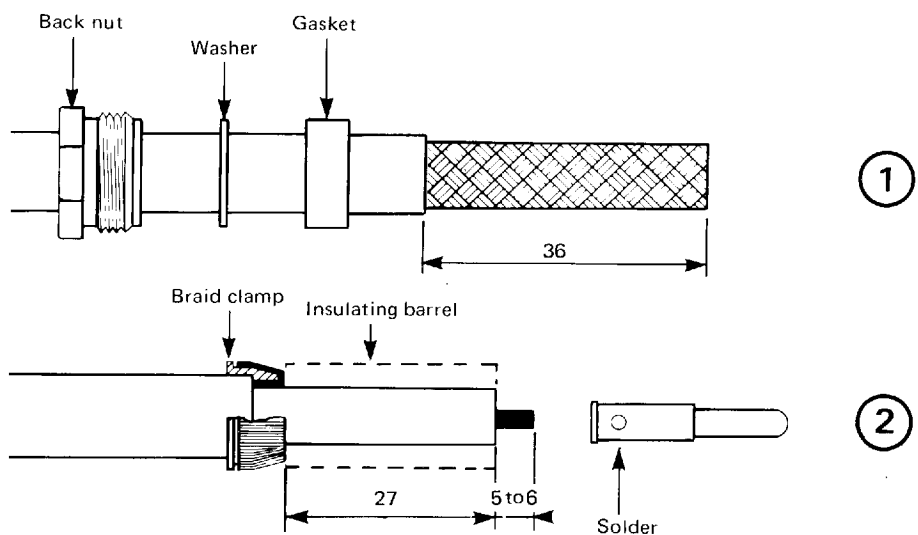
COUPLING TORQUE
450 Ncm

K56-76



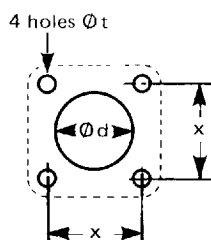
COUPLING TORQUE
800 Ncm

K57-77

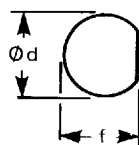


COUPLING TORQUE
450 Ncm

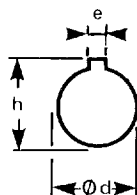
PANEL PIERCING



a



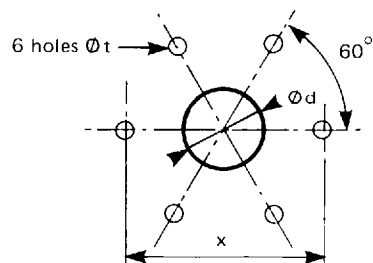
d



j



e



r

Reference	Ød	Øt	x	e	f	h
a 8	8	2,6	12,7			
a 11	9,2	2,6	12,7			
a 14	11,2	2,6	12,7			
a 16	11,2	3,2	12,7			
a 31	19,3	3,2	23,0			
a 34	20,3	3,2	23,0			
a 37	23,4	3,2	25,0			
a 39	27,4	3,2	25,0			
a 45	8	3,2	12,7			
d 11	9,5				8,8	
d 18	12,7				12,0	
d 25	20,0				19,0	
d 28	9,6				8,8	
d 29	11,2				10,3	
j 7	18,0			2,2		19
e 4	7,2					
e 6	11,1					
e 8	12,7					
e 12	20,0					
r 2	22,8	4,2	31,0			

admissable mean power

