

A fully screened robust range of DIN connectors for use in instrumentation and audio applications. Available in two finishes; bright nickel and non-reflective electrically conductive matt black. Robust construction incorporating cable grip and strain relief.

Manufactured to DIN 41524, 45322, 45326, 45327 and 45329.

**MATERIALS**  
**HOUSING**

: Zinc Alloy  
heavy nickel plated  
over copper

**MOULDING**  
**CONTACTS**

: Nylon  
: Brass

**CABLE CLAMP**

: Silver Plated  
: Mild Steel  
zinc plated

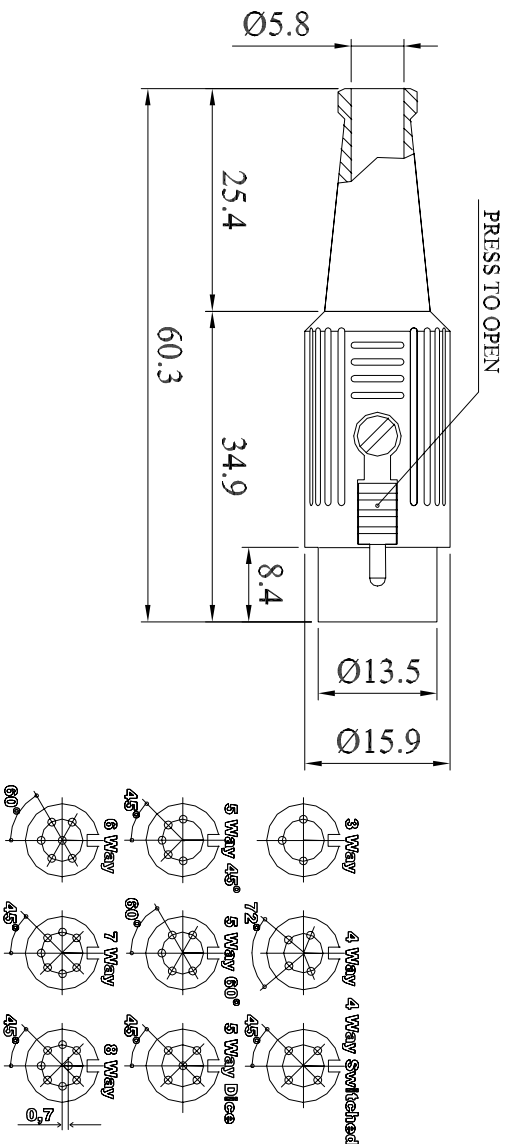
**GROMMET**

: Black P. V. C.

**ELECTRICAL RATINGS**

Working Voltage 100 Vd.c. or a.c. peak  
Test Voltage 1000 Vd.c.  
Insulation Resist.  $10^{11} \Omega$  min at 100 Vd.c.  
Current Rating 4 A  
Contact Resist. 10 m  $\Omega$  max  
Capacity (mated) 3 pF  
Temp. Range -25°C to +70°C

**Dimensions**



Type	Deltron No
3 Way	590-0300
4 Way	590-0400
4 Way Switched	590-0410
5 Way 45°	590-0500
5 Way 60°	590-0510
5 Way Dice	590-0520
6 Way	590-0600
7 Way	590-0700
8 Way	590-0800

CONVERTED FROM PS0458 ISS4 (08.07.96) IN JAN 2003

Drgn No 590 SERIES

TITLE SCREENED DIN CONNECTOR LOCKABLE PLUG (NICKEL)

ALL DIMENSIONS IN MM  
ANGLES IN DECIMAL DEGREES



**DELTRON Components**

ES 4

GENERAL SPECIFICATION  
FOR 590 SERIES

CUSTOMER

Aprvd Date 10/02/03

Aprvd By MC

Drwn by BFS

Scale: NTS

Sheet 1 / 1