



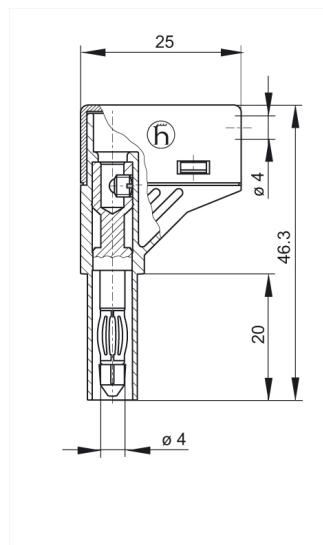
LAS S W rot/red

Measuring and Testing Equipment:Plugs:4 mm safety system

Product description

Description	Safety angled connector with screw connection for leads from 0,5 mm ² to 1,5 mm ² , outer diameter of lead max. 4,2 mm. Plug 4 mm with caged spring, 1000 V-system, IEC 61010. Simple assembly by
Type	LAS S W rot/red
Order No.	934 098-101
System	4 mm safety system
Housing Color	red
Other standard types	black color, order no. 934 098-100; blue color, order no. 934 098-102; yellow color, order no. 934 098-103; green color, order no. 934 098-104

Drawing



Technical data

Pin dimensions	4 mm with laminated spring
Type of contact	pin (spring loaded)
Type of termination	screw
Standard	IEC 61010
Rated voltage	AC/DC 1000 V
Measurement Category	CAT III
Rated current	24 A

Material

Contact material	copper beryllium
Contact surface material	nickel-plated
Housing material	PA
Environmental conditions	
Temperature range	-15 °C to +70 °C
Inflammability class	
Housing	94 V-2