

PRODUCT NUMBER
75867-YXXLF

WHEN REQUIRED, ADD SUFFIX LETTER "LF"
INDICATES THE PRODUCT IS RoHS
COMPATIBLE, SEE NOTE 5

PIN STYLE, SEE SHEET 2

PLATING SEE SHEET 2

NOTES:

- 1 - HOUSING MAT'L : GLASS FILLED THERMOPLASTIC. UL94V-0 COLOR: BLUE
- 2 - PIN MATERIAL : PHOSPHOR BRONZE
- 3 - PACKAGING :
POLYBAGS FROM 2X02 TO 2X04 POSITIONS
TUBE FROM 2X05 TO 2X32 POSITIONS

- 4 - TO DETERMINE DIMENSIONS :
N = NUMBER OF POSITIONS PER ROW
EXAMPLE : 8 POS N x 2.54 = 20.32mm

5 - RoHS COMPATIBLE PRODUCT SPECIFICATIONS

a - PLATING:

- "LF" MEANS THE PRODUCT IS LEAD-FREE,
2µm MINIMUM MATTE TIN OVER 1.27µm
MINIMUM NICKEL UNDERPLATE.

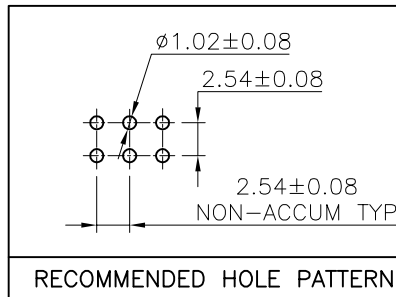
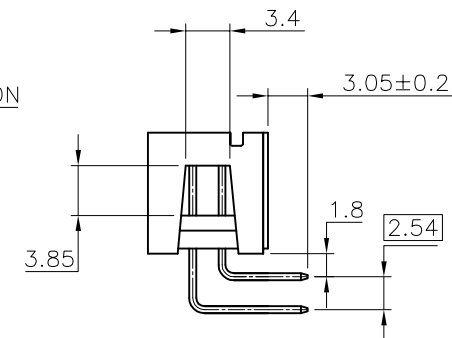
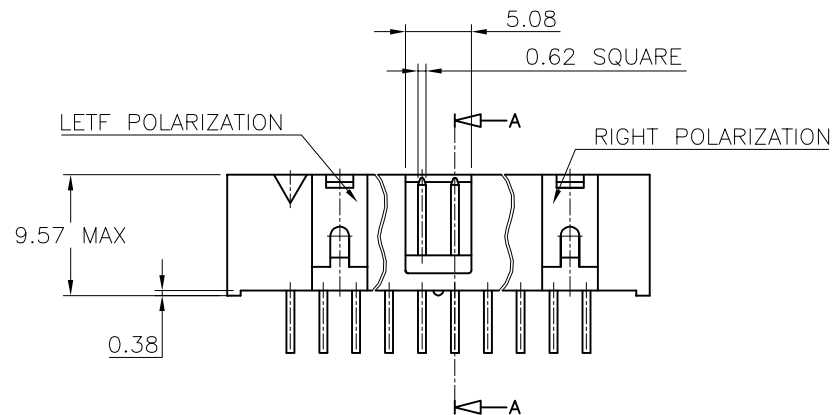
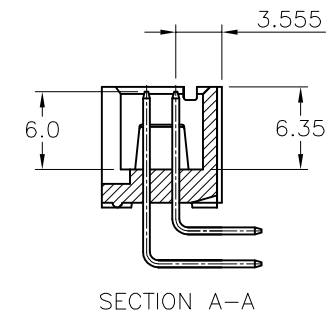
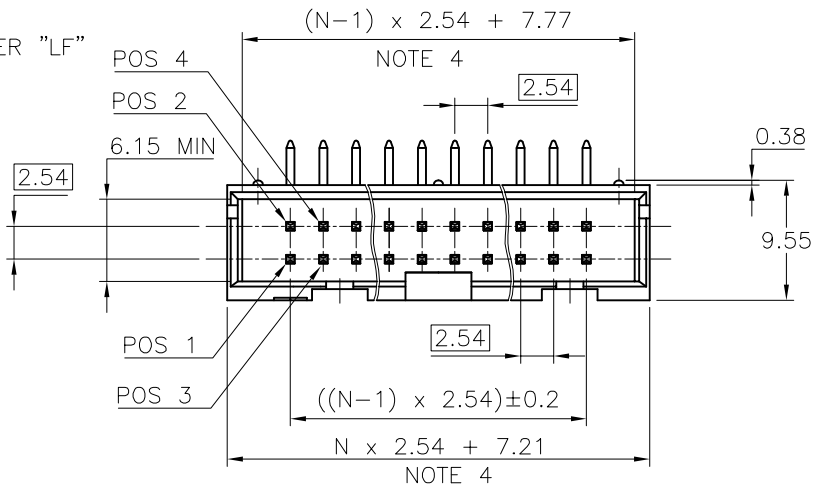
b - MANUFACTURING PROCESS COMPATIBILITY

- THE HOUSING WILL WITHSTAND EXPOSURE TO
260°C ±5°C SOLDER BATH TEMPERATURE FOR
5 SECONDS IN A WAVE SOLDER APPLICATION
WITH A 1.6mm MIN THICK CIRCUIT BOARD.

c - LABELLING:

- MEETS PACKAGING SPECS AS PER GS-14-920

d - LEGAL STATEMENT: SEE GS-22-008



mat'l. code SEE NOTES		surface ISO 1302	tolerance ISO 406 ISO 1101	projection mm	product family QUICKIE
ltr	ecn no	dr	date	tolerances unless otherwise specified	title SHR.LP.HEADER RA DR TMT
AJ	F06-0335	LMU	06.12.08	angles linear .X ±0.3 .XX ±0.13 .XXX ±0.05	scale 2.5:1
AK	F07-0198	LMU	07.05.30		
AL	F08-0146	YOV	08.04.11		
AM	F10-0258	LMU	10.12.15	dr D.LE 01.01.24	dwg no 75867
				enrg JM.C 01.01.24	sheet 1 of 2 A3
AG	F06-0229	LMU	06.07.18	chr JF.N 01.01.24	
AH	F06-0311	LMU	06.10.26	appd JM.C 01.01.24	type CUSTOMER Drawing
sheet index	revision sheet	AM	AH		
		1	2		



FCIconnect.com

Copyright FCI

CORE RANGE

PIN STYLE	Nbr OF POSITIONS	LEFT POLARIZATION	RIGHT POLARIZATION
30	2 x 2	NO	NO
31	2 x 3	NO	NO
32	2 x 4	NO	NO
01	2 x 5	NO	YES
02	2 x 7	NO	YES
03	2 x 8	YES	YES
04	2 x 10	YES	YES
05	2 x 13	YES	YES
33	2 x 15	YES	YES
06	2 x 17	YES	YES
07	2 x 20	YES	YES
08	2 x 25	YES	YES
09	2 x 30	YES	YES
10	2 x 32	YES	YES

PLATING :

1 = 0.76µm GOLD/GXT
(PdNi WITH GOLD FLASH) ON CONTACT AREA
3.81µm TIN-LEAD ON TAIL
UNDERPLATE : 1.27µm Ni MIN

- WHEN SUFFIX LETTER "LF" IS REQUIRED,
2µm MIN MATTE TIN OVER 1.27µm MIN
NICKEL IS PROVIDED INSTEAD OF TIN-LEAD

CATALOGUE RANGE

PIN STYLE	Nbr OF POSITIONS	LEFT POLARIZATION	RIGHT POLARIZATION
30	2 x 2	NO	NO
31	2 x 3	NO	NO
32	2 x 4	NO	NO
01	2 x 5	NO	YES
02	2 x 7	NO	YES
03	2 x 8	YES	YES
04	2 x 10	YES	YES
05	2 x 13	YES	YES
33	2 x 15	YES	YES
06	2 x 17	YES	YES
07	2 x 20	YES	YES
08	2 x 25	YES	YES
09	2 x 30	YES	YES
10	2 x 32	YES	YES

PLATING :

2 = 3.81µm TIN LEAD FULL PLATED
3 = 0.38µm GOLD/GXT
(PdNi WITH GOLD FLASH) ON CONTACT AREA
3.81µm TIN-LEAD ON TAIL
UNDERPLATE : 1.27µm Ni MIN

- WHEN SUFFIX LETTER "LF" IS REQUIRED,
2µm MIN MATTE TIN OVER 1.27µm MIN
NICKEL IS PROVIDED INSTEAD OF TIN-LEAD

APLLICATION SPECIFIC

PIN STYLE	Nbr OF POSITIONS	LEFT POLARIZATION	RIGHT POLARIZATION	OMIT PIN
13	2 x 17	YES	YES	5
14	2 x 20	YES	YES	19
34	2 x 5	NO	YES	5
35	2 x 10	YES	YES	19
36	2 x 20	YES	YES	10
37	2 x 20	YES	YES	11
38	2 x 20	YES	YES	20

PLATING :

1 = 0.76µm GOLD/GXT
(PdNi WITH GOLD FLASH) ON CONTACT AREA
3.81µm TIN-LEAD ON TAIL

2 = 3.81µm TIN LEAD FULL PLATED

3 = 0.38µm GOLD/GXT
(PdNi WITH GOLD FLASH) ON CONTACT AREA
3.81µm TIN-LEAD ON TAIL
UNDERPLATE : 1.27µm Ni MIN

- WHEN SUFFIX LETTER "LF" IS REQUIRED,
2µm MIN MATTE TIN OVER 1.27µm MIN
NICKEL IS PROVIDED INSTEAD OF TIN-LEAD

mat'l. code		surface <input checked="" type="checkbox"/> ISO 1302		tolerance <input checked="" type="checkbox"/> ISO 406 <input type="checkbox"/> ISO 1101		projection		product family QUICKIE	
ltr	ecn no	dr	date	tolerances unless otherwise specified		mm		title SHR.LP.HEADER RA DR TMT	
AB	F00492	LMU	00.09.04	angles	linear	scale N/A		dwg no 75867 sheet 2 of - size A3	
AC	F10120	DLE	01.01.24					type CUSTOMER Drawing	
AD	F04-0147	LMU	04.02.26						
AE	F04-0389	JCO	04.09.21	dr	D.LE	01.01.24			
AF	F06-0229	AH	06.07.18	engr	JM.C	01.01.24			
AG	F07-0198	LMU	07.05.30	chr	JF.N	01.01.24			
AH	F08-0146	YOY	08.04.11	appd	JM.C	01.01.24			
sheet index	revision sheet								