

8-Ch/Dual 4-Ch High-Performance CMOS Analog Multiplexers

DESCRIPTION

The DG408 is an 8 channel single-ended analog multiplexer designed to connect one of eight inputs to a common output as determined by a 3-bit binary address (A_0, A_1, A_2). The DG409 is a dual 4 channel differential analog multiplexer designed to connect one of four differential inputs to a common dual output as determined by its 2-bit binary address (A_0, A_1). Break-before-make switching action protects against momentary crosstalk between adjacent channels.

An on channel conducts current equally well in both directions. In the off state each channel blocks voltages up to the power supply rails. An enable (EN) function allows the user to reset the multiplexer/demultiplexer to all switches off for stacking several devices. All control inputs, address (A_x) and enable (EN) are TTL compatible over the full specified operating temperature range.

Applications for the DG408, DG409 include high speed data acquisition, audio signal switching and routing, ATE systems, and avionics. High performance and low power dissipation make them ideal for battery operated and remote instrumentation applications.

Designed in the 44 V silicon-gate CMOS process, the absolute maximum voltage rating is extended to 44 V. Additionally, single supply operation is also allowed. An epitaxial layer prevents latchup.

For additional information please see Technical Article TA201.

FEATURES

- Low on-resistance - $R_{DS(on)}$: 100 Ω
- Low charge injection - Q: 20 pC
- Fast transition time - t_{TRANS} : 160 ns
- Low power - I_{SUPPLY} : 10 μ A
- Single supply capability
- 44 V supply max. rating
- TTL compatible logic
- Material categorization: For definitions of compliance please see www.vishay.com/doc?99912



Note

* This datasheet provides information about parts that are RoHS-compliant and/or parts that are non-RoHS-compliant. For example, parts with lead (Pb) terminations are not RoHS-compliant. Please see the information/tables in this datasheet for details.

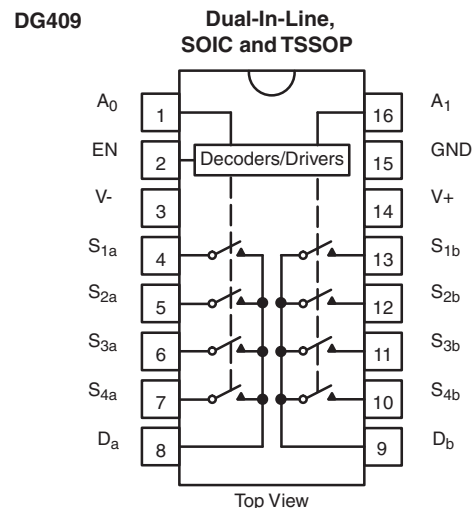
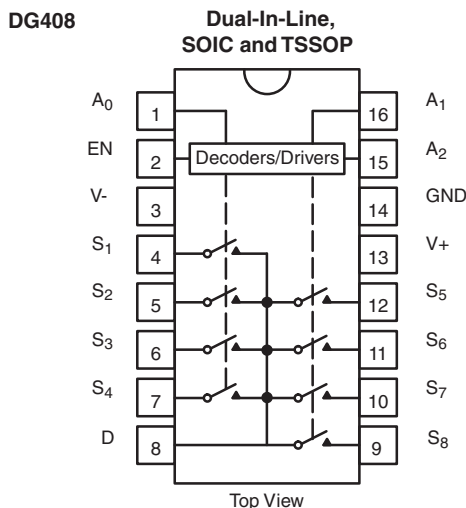
BENEFITS

- Reduced switching errors
- Reduced glitching
- Improved data throughput
- Reduced power consumption
- Increased ruggedness
- Wide supply ranges
 - Single supply: +5 V to 36 V
 - Dual supplies: ± 5 V to ± 20 V

APPLICATIONS

- Data acquisition systems
- Audio signal routing
- ATE systems
- Battery powered systems
- Single supply systems
- Medical instrumentation

FUNCTIONAL BLOCK DIAGRAM AND PIN CONFIGURATION





| TRUTH TABLE (DG408) | | | | |
|---------------------|----------------|----------------|----|-----------|
| A ₂ | A ₁ | A ₀ | EN | ON SWITCH |
| X | X | X | 0 | None |
| 0 | 0 | 0 | 1 | 1 |
| 0 | 0 | 1 | 1 | 2 |
| 0 | 1 | 0 | 1 | 3 |
| 0 | 1 | 1 | 1 | 4 |
| 1 | 0 | 0 | 1 | 5 |
| 1 | 0 | 1 | 1 | 6 |
| 1 | 1 | 0 | 1 | 7 |
| 1 | 1 | 1 | 1 | 8 |

| TRUTH TABLE (DG409) | | | |
|---------------------|----------------|----|-----------|
| A ₁ | A ₀ | EN | ON SWITCH |
| X | X | 0 | None |
| 0 | 0 | 1 | 1 |
| 0 | 1 | 1 | 2 |
| 1 | 0 | 1 | 3 |
| 1 | 1 | 1 | 4 |

Notes

- Logic "0" = $V_{AL} \leq 0.8\text{ V}$
- Logic "1" = $V_{AH} \geq 2.4\text{ V}$
- X = Do not care

| ORDERING INFORMATION (Commercial) | | | | |
|-----------------------------------|---------------|-----------------|--------------------|----------------------|
| PART | CONFIGURATION | TEMP. RANGE | PACKAGE | ORDERING PART NUMBER |
| DG408 | 8:1 x 1 | -40 °C to 85 °C | 16-pin plastic DIP | DG408DJ |
| | | | | DG408DJ-E3 |
| | | | 16-pin SOIC | DG408DY |
| | | | | DG408DY-E3 |
| | | | | DG408DY-T1 |
| | | | 16-pin TSSOP | DG408DY-T1-E3 |
| | | | | DG408DQ-E3 |
| | DG408DQ-T1-E3 | | | |
| DG409 | 4:1 x 2 | -40 °C to 85 °C | 16-pin plastic DIP | DG409DJ |
| | | | | DG409DJ-E3 |
| | | | 16-pin SOIC | DG409DY |
| | | | | DG409DY-E3 |
| | | | | DG409DY-T1 |
| | | | 16-pin TSSOP | DG409DY-T1-E3 |
| | | | | DG409DQ-E3 |
| | | | | DG409DQ-T1-E3 |

Note

- -T1 indicates Tape and Reel, -E3 indicates Lead-Free and RoHS Compliant, NO -E3 indicates standard Tin/Lead finish.

| ABSOLUTE MAXIMUM RATINGS | | | |
|---|---|--|------|
| PARAMETER | | LIMIT | UNIT |
| Voltages Referenced to V- | V+ to V- ^e | 44 | V |
| | GND to V- | -25 | |
| Digital Inputs ^a , V _S , V _D | | (V-) - 2 to (V+) + 2 or 20 mA, whichever occurs first | |
| Current (any terminal) | | 30 | mA |
| Peak Current, S or D (pulsed at 1 ms, 10 % duty cycle max.) | | 100 | |
| Storage Temperature | (DJ, DY suffix) | -65 to 125 | °C |
| Power Dissipation (Package) ^b | 16-pin plastic DIP ^c | 450 | mW |
| | 16-pin narrow SOIC and TSSOP ^d | 600 | |

Notes

- Signals on S_x, D_x or IN_x exceeding V+ or V- will be clamped by internal diodes. Limit forward diode current to maximum current ratings.
- All leads soldered or welded to PC board.
- Derate 6 mW/°C above 75 °C.
- Derate 7.6 mW/°C above 75 °C.
- Also applies when V- = GND.



| SPECIFICATIONS ^a | | | | | | | | |
|---|---------------------------|---|------|--------------------|-------------------|-----------------------------|-------------------|---------------|
| PARAMETER | SYMBOL | TEST CONDITIONS UNLESS OTHERWISE SPECIFIED | | TEMP. ^b | TYP. ^c | D SUFFIX -40 °C to 85 °C | | UNIT |
| | | $V_+ = 15\text{ V}, V_- = -15\text{ V}$ | | | | MIN. ^d | MAX. ^d | |
| | | $V_{AL} = 0.8\text{ V}, V_{AH} = 2.4\text{ V}^f$ | | | | | | |
| Analog Switch | | | | | | | | |
| Analog Signal Range ^e | V_{ANALOG} | | | Full | - | -15 | 15 | V |
| Drain-Source On-Resistance | $R_{DS(on)}$ | $V_D = \pm 10\text{ V}, I_S = -10\text{ mA}$ | Room | 40 | - | 100 | Ω | |
| | | | Full | - | - | 125 | | |
| $R_{DS(on)}$ Matching Between Channels ^g | $\Delta R_{DS(on)}$ | $V_D = \pm 10\text{ V}$ | Room | - | - | 15 | | |
| Source Off Leakage Current | $I_{S(off)}$ | $V_S = \pm 10\text{ V}, V_D = \pm 10\text{ V}, V_{EN} = 0\text{ V}$ | Room | - | -0.5 | 0.5 | nA | |
| | | | Full | - | -5 | 5 | | |
| DG408 | Drain Off Leakage Current | $V_D = \pm 10\text{ V}, V_S = \pm 10\text{ V}, V_{EN} = 0\text{ V}$ | Room | - | -1 | 1 | | |
| DG408 | | | Full | - | -20 | 20 | | |
| DG409 | | | Room | - | -1 | 1 | | |
| DG409 | | | Full | - | -10 | 10 | | |
| DG408 | Drain On Leakage Current | $V_S = V_D = \pm 10\text{ V}$ sequence each switch on | Room | - | -1 | 1 | | |
| DG408 | | | Full | - | -20 | 20 | | |
| DG409 | | | Room | - | -1 | 1 | | |
| DG409 | | | Full | - | -10 | 10 | | |
| Digital Control | | | | | | | | |
| Logic High Input Voltage | V_{INH} | | | Full | - | 2.4 | - | V |
| Logic Low Input Voltage | V_{INL} | | | Full | - | - | 0.8 | |
| Logic High Input Current | I_{AH} | $V_A = 2.4\text{ V}, 15\text{ V}$ | | Full | - | -10 | 10 | μA |
| Logic Low Input Current | I_{AL} | $V_{EN} = 0\text{ V}, 2.4\text{ V}, V_A = 0\text{ V}$ | | Full | - | -10 | 10 | |
| Logic Input Capacitance | C_{in} | $f = 1\text{ MHz}$ | | Room | 8 | - | - | pF |
| Dynamic Characteristics | | | | | | | | |
| Transition Time | t_{TRANS} | see figure 2 | | Full | 160 | - | 250 | ns |
| Break-Before-Make Interval | t_{OPEN} | see figure 4 | | Room | - | 10 | - | |
| Enable Turn-On Time | $t_{ON(EN)}$ | see figure 3 | Room | 115 | - | 150 | | |
| | | | Full | - | - | - | | |
| Enable Turn-Off Time | $t_{OFF(EN)}$ | | Room | 105 | - | 150 | | |
| Charge Injection | Q | $C_L = 10\text{ nF}, V_S = 0\text{ V}$ | | Room | 20 | - | - | pC |
| Off Isolation ^h | OIRR | $V_{EN} = 0\text{ V}, R_L = 1\text{ k}\Omega, f = 1\text{ MHz}$ | | Room | -75 | - | - | pF |
| Source Off Capacitance | $C_{S(off)}$ | $V_{EN} = 0\text{ V}, V_S = 0\text{ V}, f = 1\text{ MHz}$ | | Room | 3 | - | - | |
| DG408 | Drain Off Capacitance | $V_{EN} = 0\text{ V}, V_D = 0\text{ V}, f = 1\text{ MHz}$ | Room | 26 | - | - | | |
| DG409 | | | Room | 14 | - | - | | |
| DG408 | Drain On Capacitance | $V_{EN} = 0\text{ V}, V_D = 0\text{ V}, f = 1\text{ MHz}$ | Room | 37 | - | - | | |
| DG409 | | | Room | 25 | - | - | | |
| Power Supplies | | | | | | | | |
| Positive Supply Current | I+ | $V_{EN} = V_A = 0\text{ V or } 5\text{ V}$ | | Full | 10 | - | 75 | μA |
| Negative Supply Current | I- | | Full | 1 | -75 | - | | |
| Positive Supply Current | I+ | $V_{EN} = V_A = 0\text{ V or } 5\text{ V}$ | | Room | 0.2 | - | 0.5 | mA |
| Negative Supply Current | I- | | Full | - | - | 2 | | |
| | | | | Full | - | -500 | - | μA |



| SPECIFICATIONS ^a (Single Supply) | | | | | | | | | |
|---|----------------------|---|--|------|-----------------------------|-------------------|------|-------------------|-------------------|
| PARAMETER | SYMBOL | TEST CONDITIONS UNLESS OTHERWISE SPECIFIED | | | D SUFFIX -40 °C to 85 °C | | UNIT | | |
| | | V ₊ = 12 V, V ₋ = 0 V | | | TEMP. ^b | TYP. ^c | | MIN. ^d | MAX. ^d |
| | | V _{AL} = 0.8 V, V _{AH} = 2.4 V ^f | | | | | | | |
| Analog Switch | | | | | | | | | |
| Drain-Source On-Resistance ^{e,f} | R _{DS(on)} | V _D = 3 V, 10 V, I _S = -1 mA | | Room | 90 | - | - | Ω | |
| Dynamic Characteristics | | | | | | | | | |
| Switching Time of Multiplexer ^e | t _{TRANS} | V _{S1} = 8 V, V _{S8} = 0 V, V _{IN} = 2.4 V | | Room | 180 | - | - | ns | |
| Enable Turn-On Time ^e | t _{ON(EN)} | V _{INH} = 2.4 V, V _{INL} = 0 V, V _{S1} = 5 V | | Room | 180 | - | - | | |
| Enable Turn-Off Time ^e | t _{OFF(EN)} | | | Room | 120 | - | - | | |
| Charge Injection ^e | Q | C _L = 1 nF, V _S = 0 V, R _S = 0 | | Room | 5 | - | - | pC | |

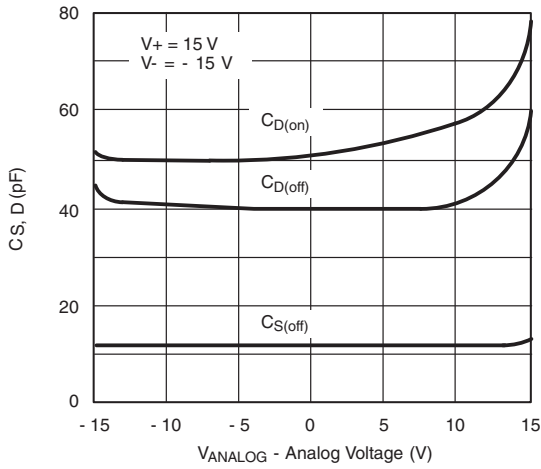
Notes

- a. Refer to PROCESS OPTION FLOWCHART.
- b. Room = 25 °C, Full = as determined by the operating temperature suffix.
- c. Typical values are for DESIGN AID ONLY, not guaranteed nor subject to production testing.
- d. The algebraic convention whereby the most negative value is a minimum and the most positive a maximum, is used in this datasheet.
- e. Guaranteed by design, not subject to production test.
- f. V_{IN} = input voltage to perform proper function.
- g. ΔR_{DS(on)} = R_{DS(on)} max. - R_{DS(on)} min.
- h. Worst case isolation occurs on channel 4 due to proximity to the drain pin.

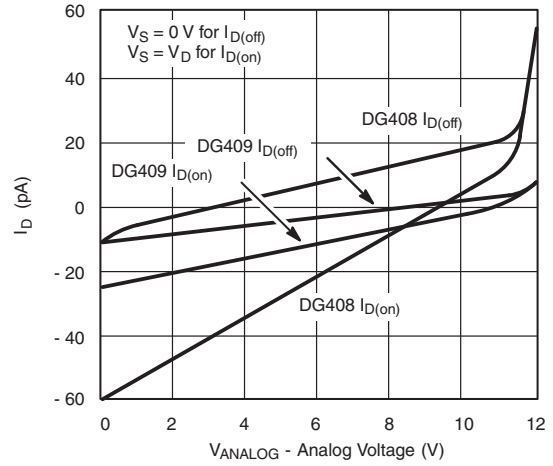
Stresses beyond those listed under "Absolute Maximum Ratings" may cause permanent damage to the device. These are stress ratings only, and functional operation of the device at these or any other conditions beyond those indicated in the operational sections of the specifications is not implied. Exposure to absolute maximum rating conditions for extended periods may affect device reliability.



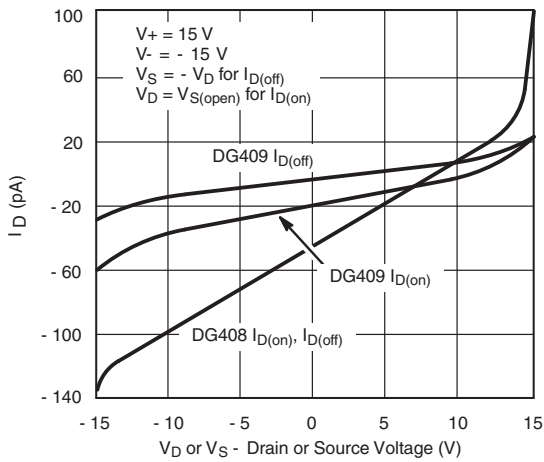
TYPICAL CHARACTERISTICS (25 °C, unless otherwise noted)



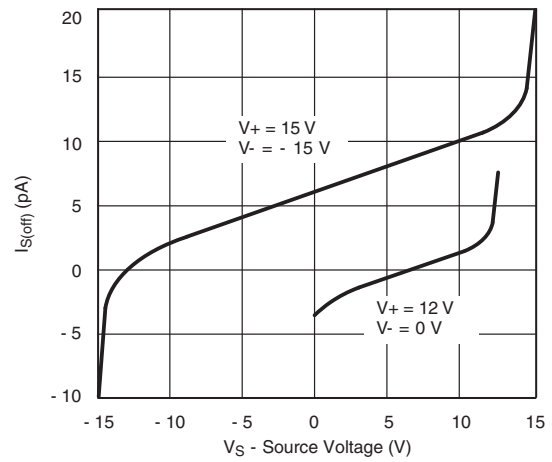
Source/Drain Capacitance vs. Analog Voltage



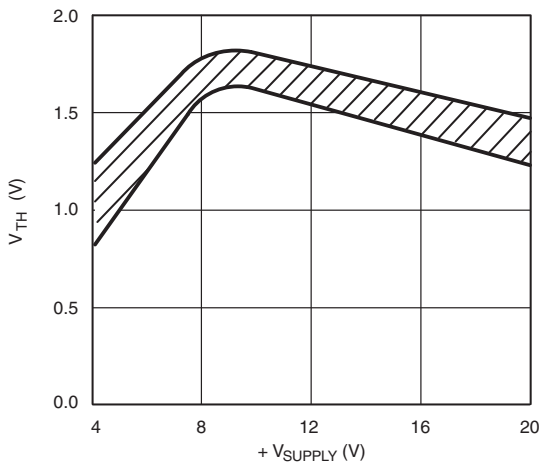
Drain Leakage Current vs. Source/Drain Voltage (Single 12 V Supply)



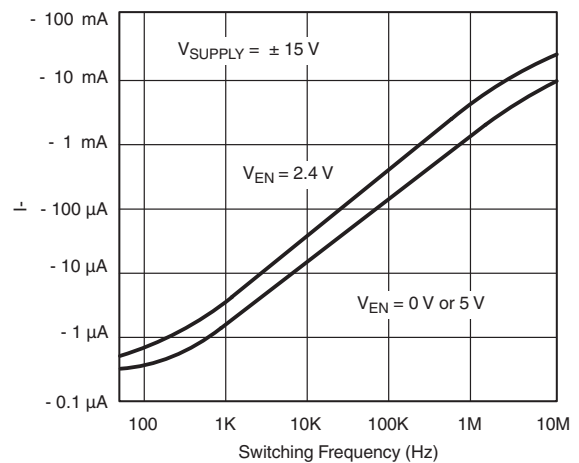
Drain Leakage Current vs. Source/Drain Voltage



Source Leakage Current vs. Source Voltage



Input Switching Threshold vs. Supply Voltage



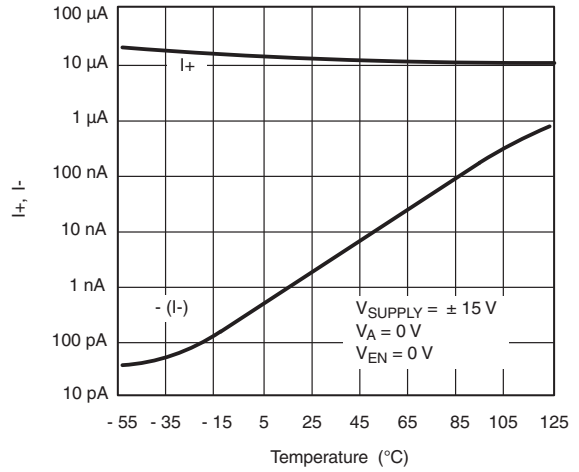
Negative Supply Current vs. Switching Frequency



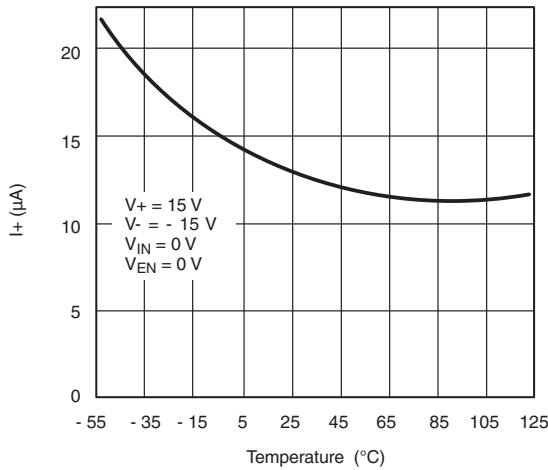
TYPICAL CHARACTERISTICS (25 °C, unless otherwise noted)



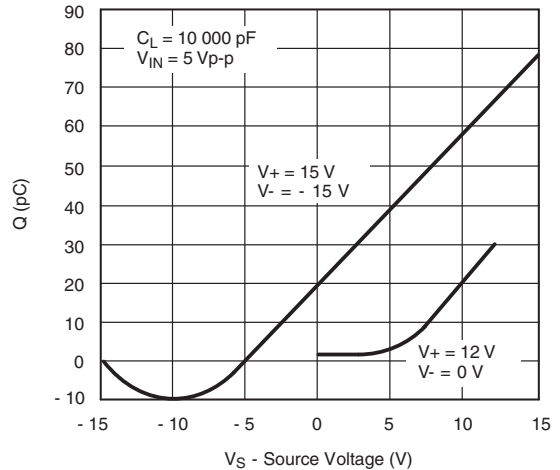
Positive Supply Current vs. Switching Frequency



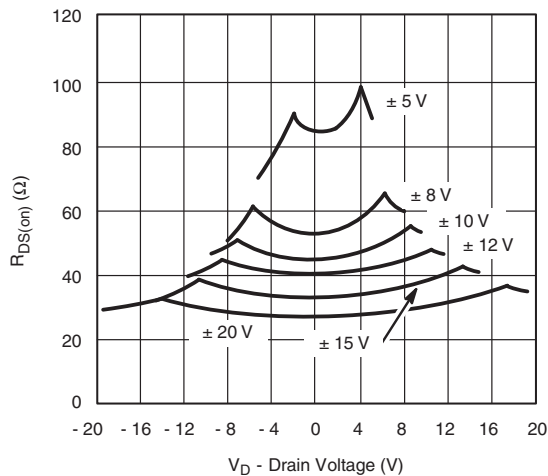
I_{SUPPLY} vs. Temperature



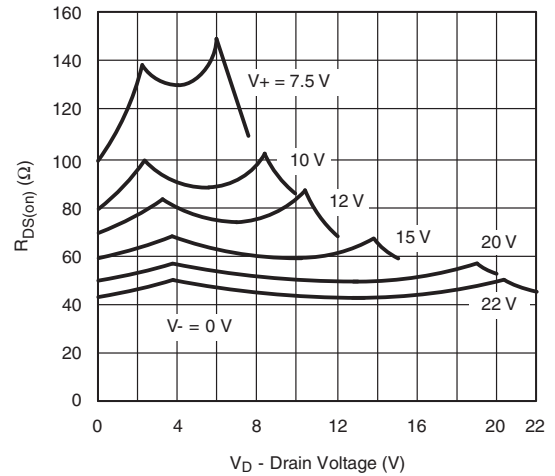
Positive Supply Current vs. Temperature (DG408)



Charge Injection vs. Analog Voltage



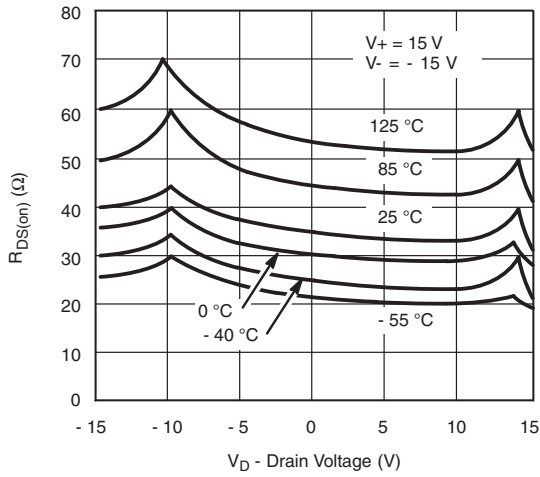
R_{DS(on)} vs. V_D and Supply



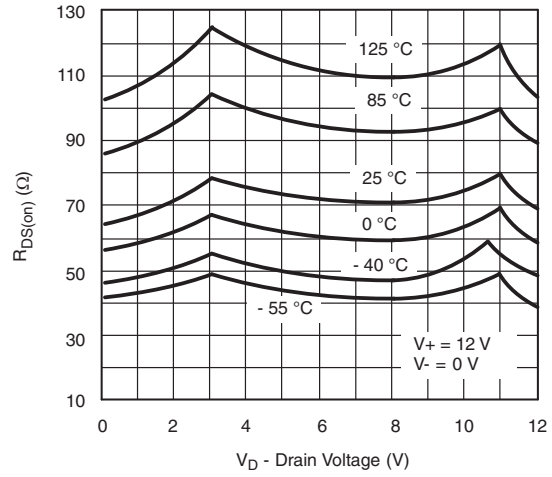
R_{DS(on)} vs. V_D and Supply (Single Supply)



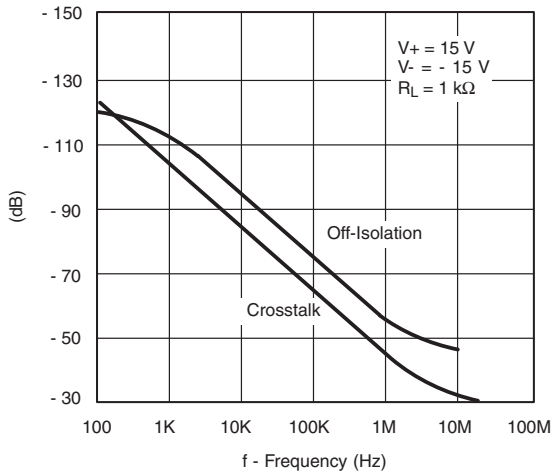
TYPICAL CHARACTERISTICS (25 °C, unless otherwise noted)



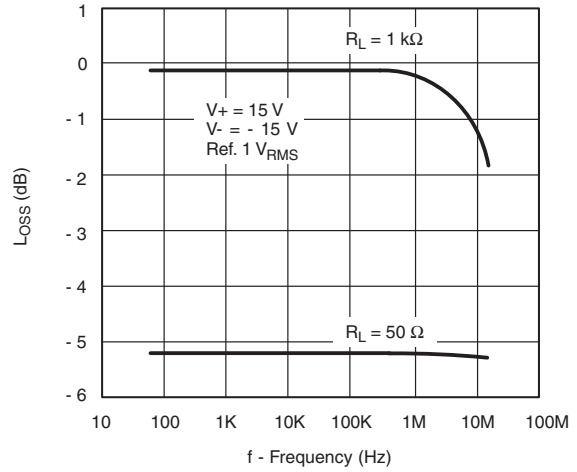
$R_{DS(on)}$ vs. V_D and Temperature



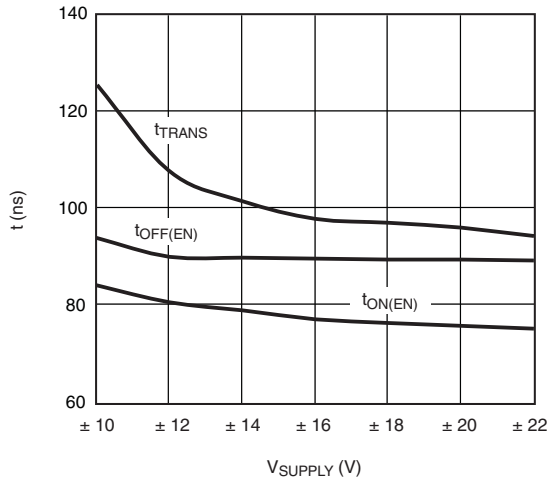
$R_{DS(on)}$ vs. V_D and Temperature (Single Supply)



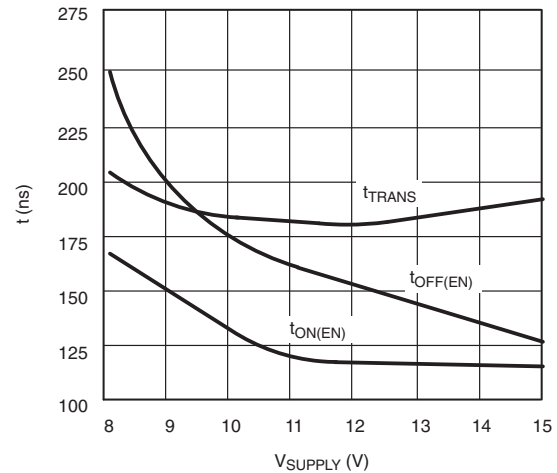
Off Isolation and Crosstalk vs. Frequency



Insertion Loss vs. Frequency



Switching Time vs. Bipolar Supply



Switching Time vs. Single Supply

SCHEMATIC DIAGRAM (Typical Channel)

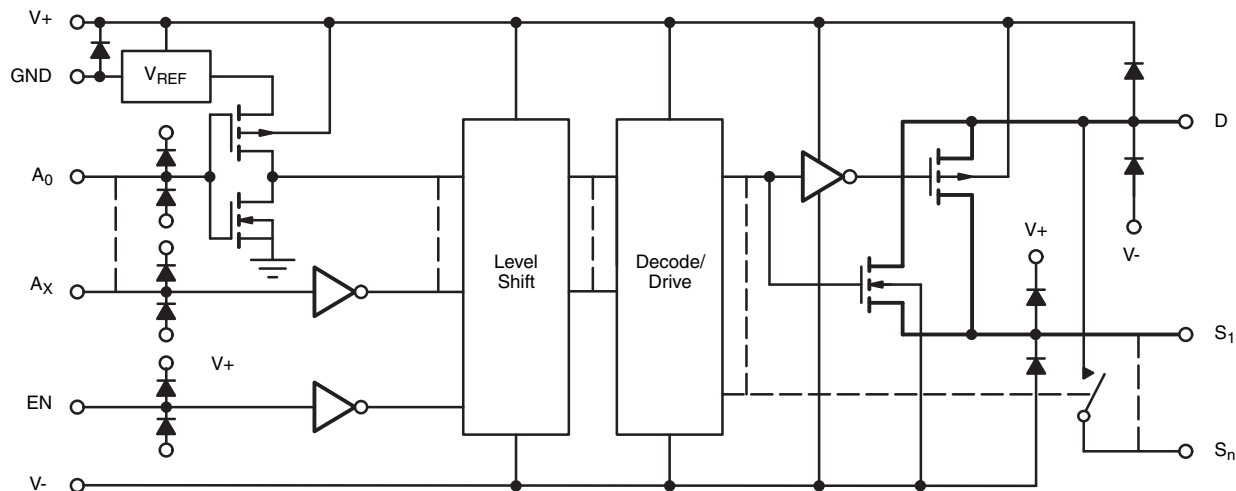


Fig. 1

TEST CIRCUITS

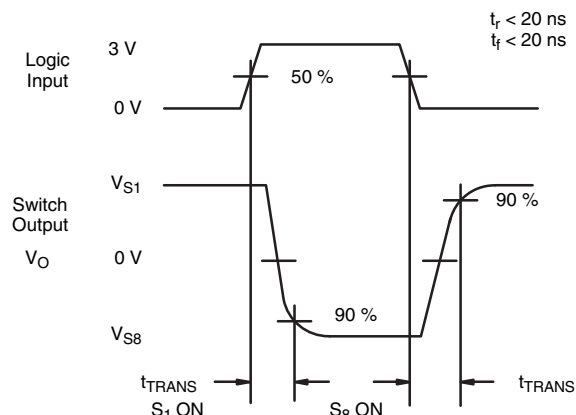
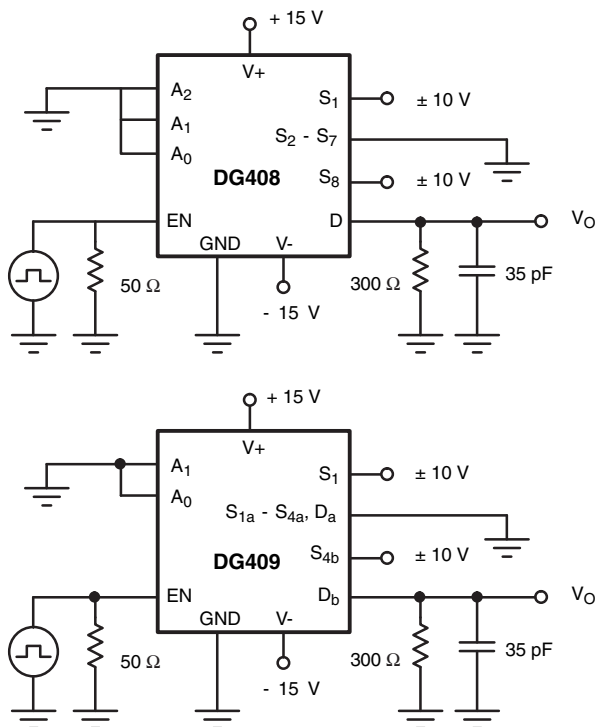


Fig. 2 - Transition Time

TEST CIRCUITS

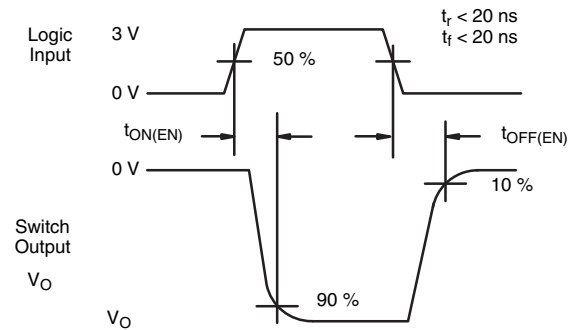
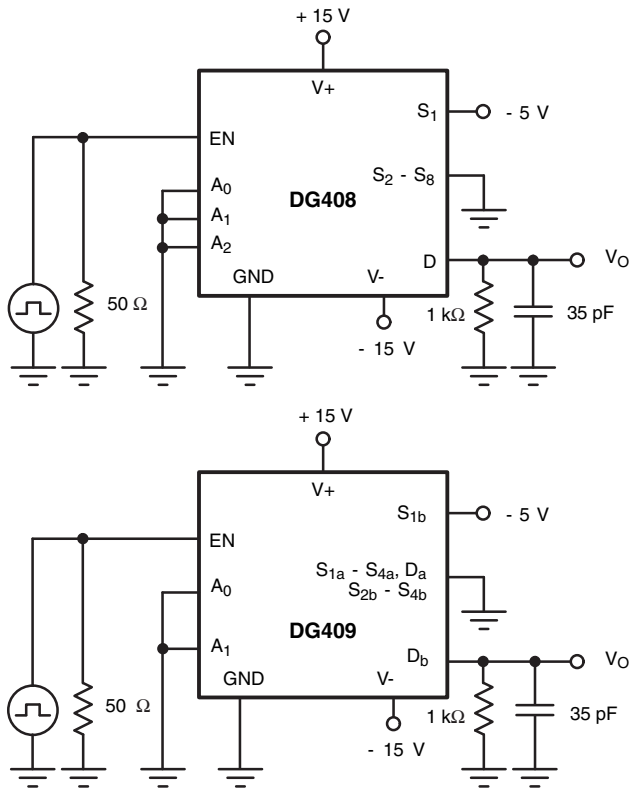


Fig. 3 - Enable Switching Time

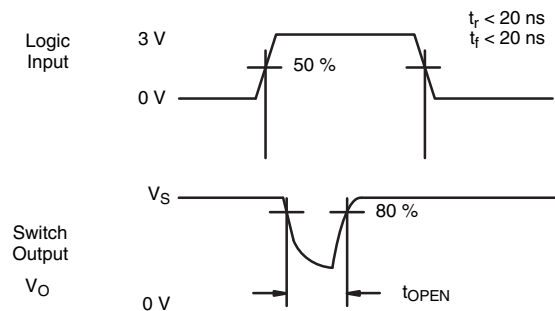
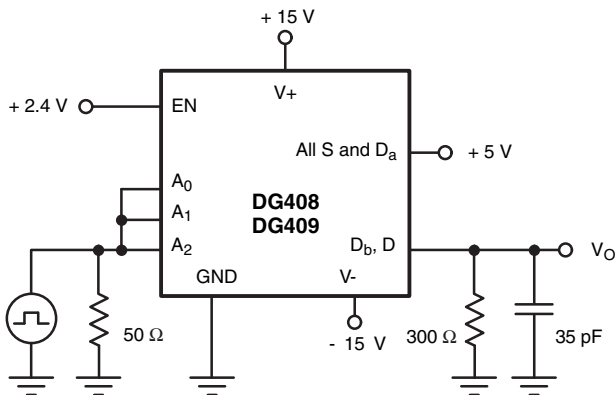
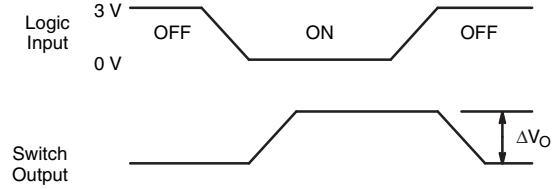
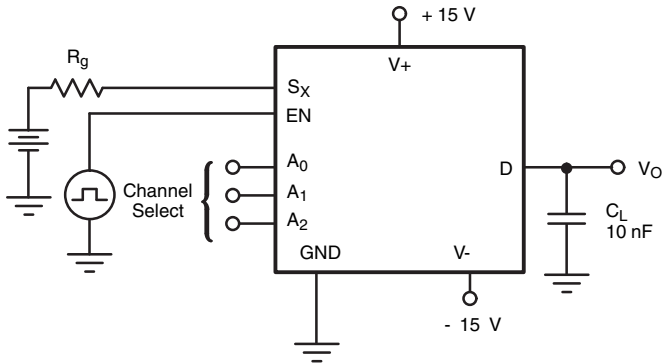


Fig. 4 - Break-Before-Make Interval

TEST CIRCUITS



ΔV_O is the measured voltage due to charge transfer error Q , when the channel turns off.

$$Q = C_L \times \Delta V_O$$

Fig. 5 - Charge Injection

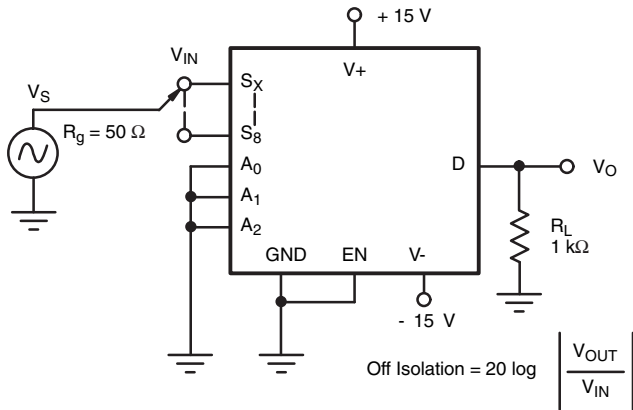


Fig. 6 - Off Isolation

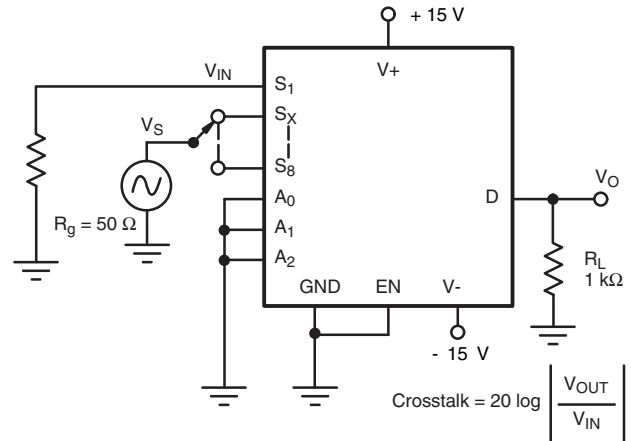


Fig. 7 - Crosstalk

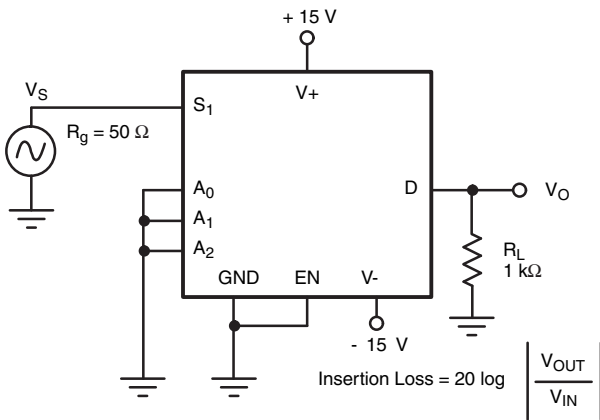


Fig. 8 - Insertion Loss

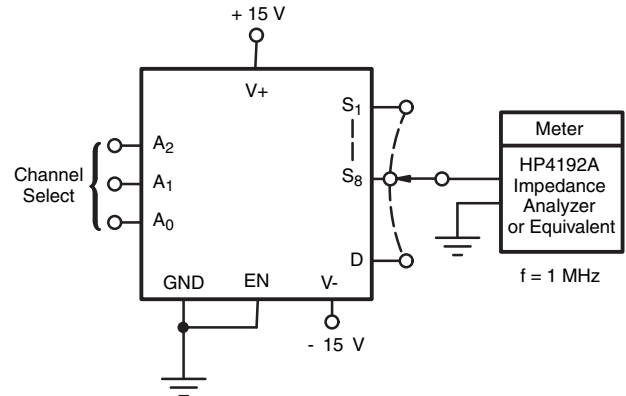


Fig. 9 - Source Drain Capacitance

APPLICATION HINTS

Overvoltage Protection

A very convenient form of overvoltage protection consists of adding two small signal diodes (1N4148, 1N914 type) in series with the supply pins (see figure 10). This arrangement effectively blocks the flow of reverse currents. It also floats the supply pin above or below the normal V+ or V- value. In this case the overvoltage signal actually becomes the power

supply of the IC. From the point of view of the chip, nothing has changed, as long as the difference $V_S - (V_-)$ does not exceed + 44 V. The addition of these diodes will reduce the analog signal range to 1 V below V+ and 1 V above V-, but it preserves the low channel resistance and low leakage characteristics.

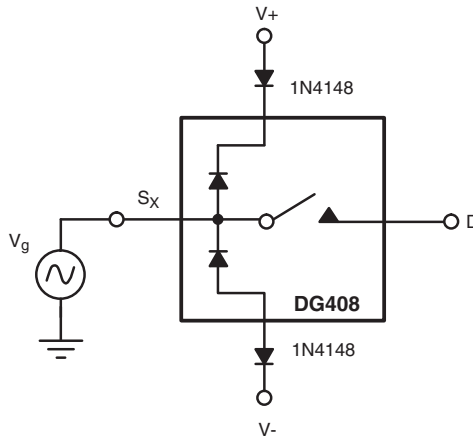


Fig. 10 - Overvoltage Protection Using Blocking Diodes

8-Channel Sequential Multiplexer/Demultiplexer

Differential 4-Channel Sequential Multiplexer/Demultiplexer



Fig. 11

Vishay Siliconix maintains worldwide manufacturing capability. Products may be manufactured at one of several qualified locations. Reliability data for Silicon Technology and Package Reliability represent a composite of all qualified locations. For related documents such as package/tape drawings, part marking, and reliability data, see www.vishay.com/ppg?70062.



SOIC (NARROW): 16-LEAD
JEDEC Part Number: MS-012



| Dim | MILLIMETERS | | INCHES | |
|----------------|-------------|-------|-----------|-------|
| | Min | Max | Min | Max |
| A | 1.35 | 1.75 | 0.053 | 0.069 |
| A ₁ | 0.10 | 0.20 | 0.004 | 0.008 |
| B | 0.38 | 0.51 | 0.015 | 0.020 |
| C | 0.18 | 0.23 | 0.007 | 0.009 |
| D | 9.80 | 10.00 | 0.385 | 0.393 |
| E | 3.80 | 4.00 | 0.149 | 0.157 |
| e | 1.27 BSC | | 0.050 BSC | |
| H | 5.80 | 6.20 | 0.228 | 0.244 |
| L | 0.50 | 0.93 | 0.020 | 0.037 |
| ∅ | 0° | 8° | 0° | 8° |

ECN: S-03946—Rev. F, 09-Jul-01
DWG: 5300



PDIP: 16-LEAD



| Dim | MILLIMETERS | | INCHES | |
|----------------------|-------------|-------|--------|-------|
| | Min | Max | Min | Max |
| A | 3.81 | 5.08 | 0.150 | 0.200 |
| A₁ | 0.38 | 1.27 | 0.015 | 0.050 |
| B | 0.38 | 0.51 | 0.015 | 0.020 |
| B₁ | 0.89 | 1.65 | 0.035 | 0.065 |
| C | 0.20 | 0.30 | 0.008 | 0.012 |
| D | 18.93 | 21.33 | 0.745 | 0.840 |
| E | 7.62 | 8.26 | 0.300 | 0.325 |
| E₁ | 5.59 | 7.11 | 0.220 | 0.280 |
| e₁ | 2.29 | 2.79 | 0.090 | 0.110 |
| e_A | 7.37 | 7.87 | 0.290 | 0.310 |
| L | 2.79 | 3.81 | 0.110 | 0.150 |
| Q₁ | 1.27 | 2.03 | 0.050 | 0.080 |
| S | 0.38 | 1.52 | .015 | 0.060 |

ECN: S-03946—Rev. D, 09-Jul-01
DWG: 5482



CERDIP: 16-LEAD

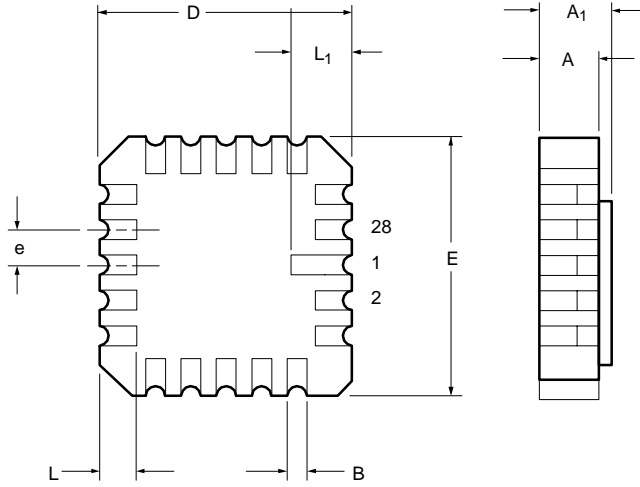


| Dim | MILLIMETERS | | INCHES | |
|----------------|-------------|-------|-----------|-------|
| | Min | Max | Min | Max |
| A | 4.06 | 5.08 | 0.160 | 0.200 |
| A ₁ | 0.51 | 1.14 | 0.020 | 0.045 |
| B | 0.38 | 0.51 | 0.015 | 0.020 |
| B ₁ | 1.14 | 1.65 | 0.045 | 0.065 |
| C | 0.20 | 0.30 | 0.008 | 0.012 |
| D | 19.05 | 19.56 | 0.750 | 0.770 |
| E | 7.62 | 8.26 | 0.300 | 0.325 |
| E ₁ | 6.60 | 7.62 | 0.260 | 0.300 |
| e ₁ | 2.54 BSC | | 0.100 BSC | |
| e _A | 7.62 BSC | | 0.300 BSC | |
| L | 3.18 | 3.81 | 0.125 | 0.150 |
| L ₁ | 3.81 | 5.08 | 0.150 | 0.200 |
| Q ₁ | 1.27 | 2.16 | 0.050 | 0.085 |
| S | 0.38 | 1.14 | 0.015 | 0.045 |
| ∞ | 0° | 15° | 0° | 15° |

ECN: S-03946—Rev. G, 09-Jul-01
DWG: 5403

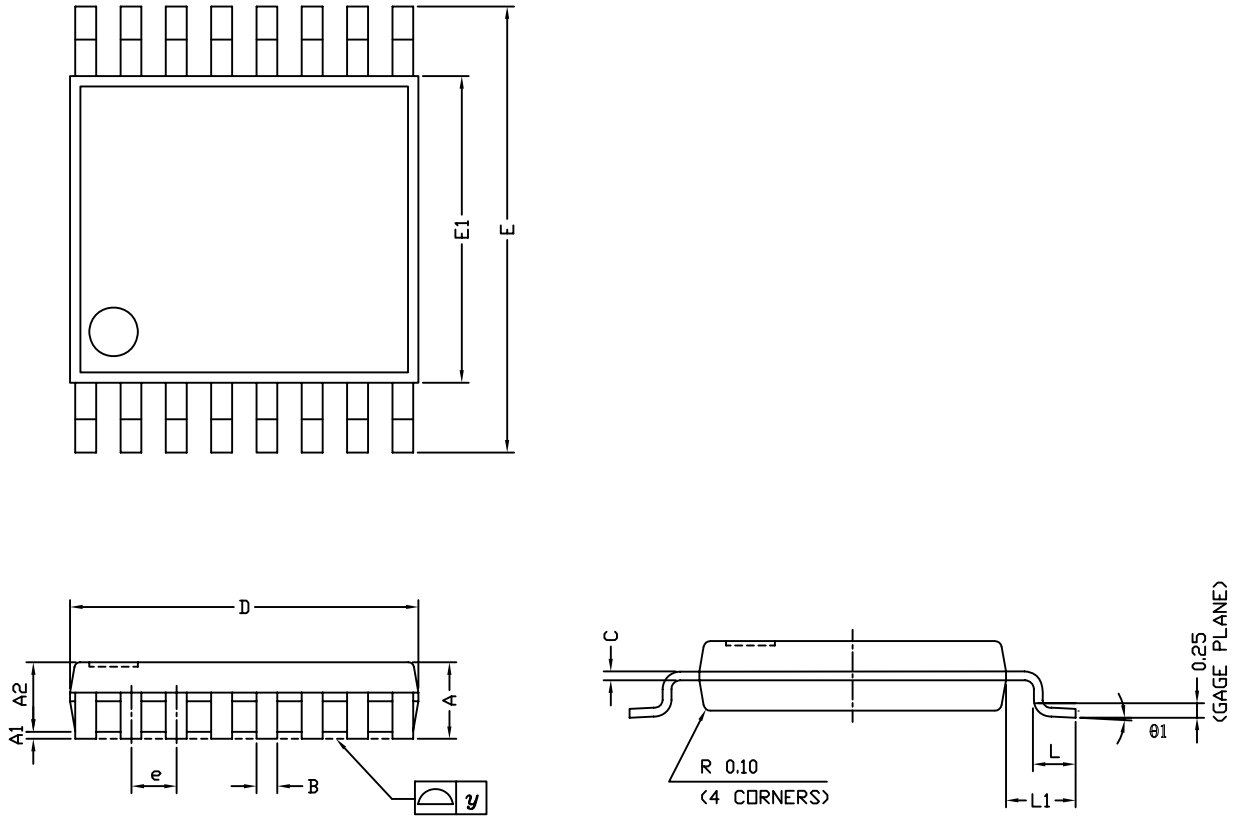


20-LEAD LCC



| Dim | MILLIMETERS | | INCHES | |
|---|-------------|------|-----------|-------|
| | Min | Max | Min | Max |
| A | 1.37 | 2.24 | 0.054 | 0.088 |
| A₁ | 1.63 | 2.54 | 0.064 | 0.100 |
| B | 0.56 | 0.71 | 0.022 | 0.028 |
| D | 8.69 | 9.09 | 0.342 | 0.358 |
| E | 8.69 | 9.09 | 0.442 | 0.358 |
| e | 1.27 BSC | | 0.050 BSC | |
| L | 1.14 | 1.40 | 0.045 | 0.055 |
| L₁ | 1.96 | 2.36 | 0.077 | 0.093 |
| ECN: S-03946—Rev. B, 09-Jul-01 DWG: 5321 | | | | |

TSSOP: 16-LEAD

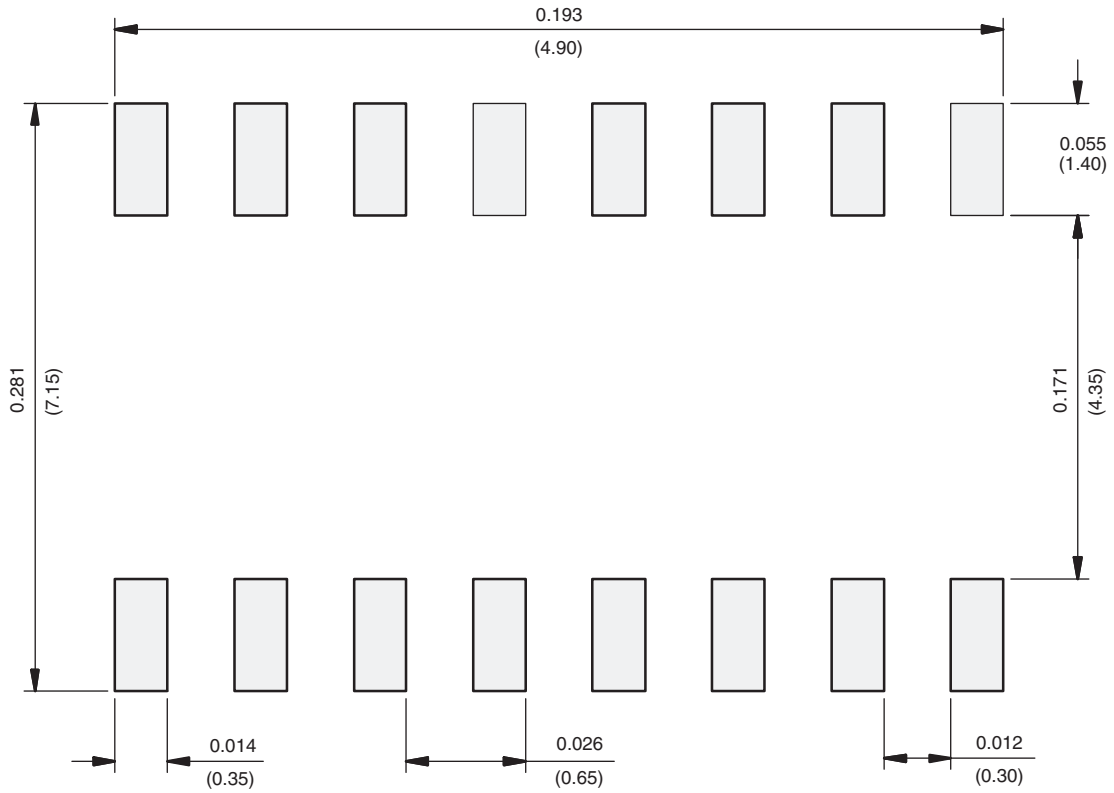


| Symbols | DIMENSIONS IN MILLIMETERS | | |
|---------|---------------------------|-------|------|
| | Min | Nom | Max |
| A | - | 1.10 | 1.20 |
| A1 | 0.05 | 0.10 | 0.15 |
| A2 | - | 1.00 | 1.05 |
| B | 0.22 | 0.28 | 0.38 |
| C | - | 0.127 | - |
| D | 4.90 | 5.00 | 5.10 |
| E | 6.10 | 6.40 | 6.70 |
| E1 | 4.30 | 4.40 | 4.50 |
| e | - | 0.65 | - |
| L | 0.50 | 0.60 | 0.70 |
| L1 | 0.90 | 1.00 | 1.10 |
| y | - | - | 0.10 |
| theta 1 | 0° | 3° | 6° |

ECN: S-61920-Rev. D, 23-Oct-06
 DWG: 5624

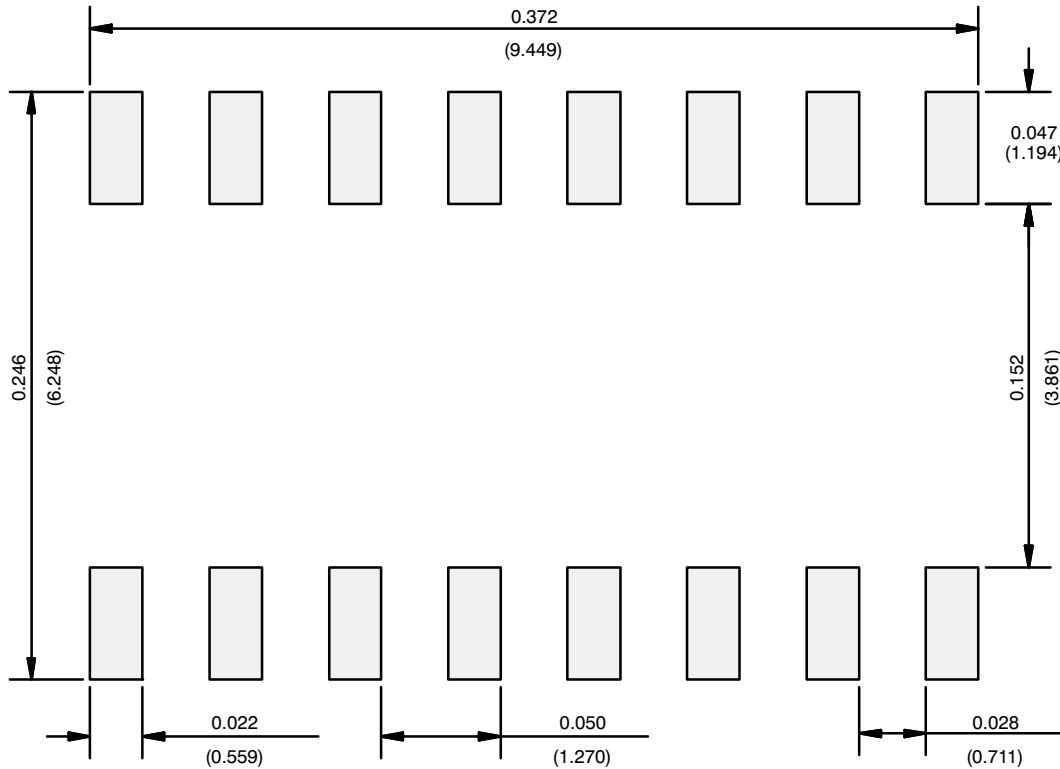


RECOMMENDED MINIMUM PAD FOR TSSOP-16



Recommended Minimum Pads
Dimensions in inches (mm)

RECOMMENDED MINIMUM PADS FOR SO-16



Recommended Minimum Pads
Dimensions in Inches/(mm)

[Return to Index](#)



Disclaimer

ALL PRODUCT, PRODUCT SPECIFICATIONS AND DATA ARE SUBJECT TO CHANGE WITHOUT NOTICE TO IMPROVE RELIABILITY, FUNCTION OR DESIGN OR OTHERWISE.

Vishay Intertechnology, Inc., its affiliates, agents, and employees, and all persons acting on its or their behalf (collectively, "Vishay"), disclaim any and all liability for any errors, inaccuracies or incompleteness contained in any datasheet or in any other disclosure relating to any product.

Vishay makes no warranty, representation or guarantee regarding the suitability of the products for any particular purpose or the continuing production of any product. To the maximum extent permitted by applicable law, Vishay disclaims (i) any and all liability arising out of the application or use of any product, (ii) any and all liability, including without limitation special, consequential or incidental damages, and (iii) any and all implied warranties, including warranties of fitness for particular purpose, non-infringement and merchantability.

Statements regarding the suitability of products for certain types of applications are based on Vishay's knowledge of typical requirements that are often placed on Vishay products in generic applications. Such statements are not binding statements about the suitability of products for a particular application. It is the customer's responsibility to validate that a particular product with the properties described in the product specification is suitable for use in a particular application. Parameters provided in datasheets and/or specifications may vary in different applications and performance may vary over time. All operating parameters, including typical parameters, must be validated for each customer application by the customer's technical experts. Product specifications do not expand or otherwise modify Vishay's terms and conditions of purchase, including but not limited to the warranty expressed therein.

Except as expressly indicated in writing, Vishay products are not designed for use in medical, life-saving, or life-sustaining applications or for any other application in which the failure of the Vishay product could result in personal injury or death. Customers using or selling Vishay products not expressly indicated for use in such applications do so at their own risk. Please contact authorized Vishay personnel to obtain written terms and conditions regarding products designed for such applications.

No license, express or implied, by estoppel or otherwise, to any intellectual property rights is granted by this document or by any conduct of Vishay. Product names and markings noted herein may be trademarks of their respective owners.

Material Category Policy

Vishay Intertechnology, Inc. hereby certifies that all its products that are identified as RoHS-Compliant fulfill the definitions and restrictions defined under Directive 2011/65/EU of The European Parliament and of the Council of June 8, 2011 on the restriction of the use of certain hazardous substances in electrical and electronic equipment (EEE) - recast, unless otherwise specified as non-compliant.

Please note that some Vishay documentation may still make reference to RoHS Directive 2002/95/EC. We confirm that all the products identified as being compliant to Directive 2002/95/EC conform to Directive 2011/65/EU.

Vishay Intertechnology, Inc. hereby certifies that all its products that are identified as Halogen-Free follow Halogen-Free requirements as per JEDEC JS709A standards. Please note that some Vishay documentation may still make reference to the IEC 61249-2-21 definition. We confirm that all the products identified as being compliant to IEC 61249-2-21 conform to JEDEC JS709A standards.