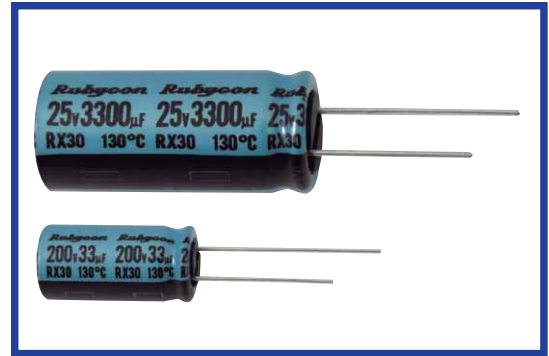


RX30 SERIES
Load Life : 130°C 1000~4000 hours.
◆FEATURES

- For Electronic Ballast of CFL, For Power Supply.
- RoHS compliance


◆SPECIFICATIONS

Items	Characteristics		
Category Temperature Range	-40~+130°C	-25~+130°C	
Rated Voltage Range	10~100V.DC	200,400V.DC	
Capacitance Tolerance	±20%(20°C,120Hz)		
Leakage Current(MAX)	I=0.01CV or 3µA whichever is greater. (After 2 minutes application of rated voltage)	CV≤1000	
		CV>1000	
		I=0.1CV+40µA (1 minute) I=0.03CV+15µA (5 minutes)	
		I=0.04CV+100µA (1 minute) I=0.02CV+25µA (5 minutes)	
	I=Leakage Current(µA) C=Capacitance(µF) V=Rated Voltage(V)		
Dissipation Factor(MAX) (tanδ)	Rated Voltage (V) 10 16 25 35 50 63 100 200 400 (20°C,120Hz)		
	tanδ 0.20 0.16 0.14 0.12 0.10 0.09 0.08 0.15 0.20		
	When capacitance is over 1000µF, tanδ shall be added 0.02 to the listed value with increase of every 1000µF.		
Endurance	After life test with rated ripple current at conditions stated in the table below at 130°C, the capacitors shall meet the following requirements.		
		10~100WV	200,400WV
	Capacitance Change	Within ±30% of the initial value.	Within ±20% of the initial value.
	Dissipation Factor	Not more than 300% of the specified value.	Not more than 200% of the specified value.
	Leakage Current		
	Not more than the specified value.		
	Case Size	Life Time (hrs)	
		10~100WV	200,400WV
	φD=6.3	-	1000
	φD=8, 10	2000	2000
	φD≥12.5	4000	-
Low Temperature Stability Impedance Ratio(MAX)	Rated Voltage (V) 10 16 25 35 50 63 100 200 400 (120Hz)		
	Z(-25°C)/Z(20°C) 3 2 2 2 2 2 2 3 6		
	Z(-40°C)/Z(20°C) 6 4 3 3 3 3 3 - -		

◆MULTIPLIER FOR RIPPLE CURRENT
10WV~100WV

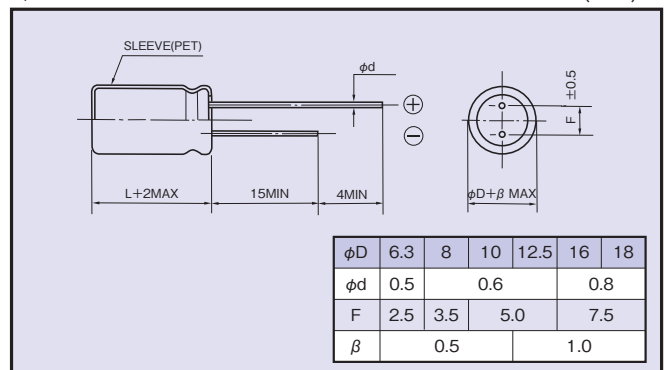
Frequency (Hz)		60(50)	120	1k	10k	100k≤
Coefficient	4.7µF	0.35	0.42	0.60	0.80	1.00
	10~33µF	0.45	0.55	0.75	0.90	1.00
	47~330µF	0.60	0.70	0.85	0.95	1.00
	470~1500µF	0.65	0.75	0.90	0.98	1.00
	2200~4700µF	0.75	0.80	0.95	1.00	1.00

200WV,400WV

Frequency (Hz)		120	1k	10k	100k≤
Coefficient	1~5.6µF	0.20	0.40	0.80	1.00
	6.8~15µF	0.30	0.60	0.90	1.00
	22~33µF	0.50	0.80	0.90	1.00

◆DIMENSIONS

(mm)


◆PART NUMBER

□□□	RX30	□□□□□	M	□□□	□□	D×L
Rated Voltage	Series	Capacitance	Capacitance Tolerance	Option	Lead Forming	Case Size

◆OPTION

	Code
PET Sleeve	Blank

◆STANDARD SIZE

Rated Voltage (V·DC)	capacitance (μF)	Size φD×L(mm)	Rated ripple current (mA r.m.s./130°C, 100kHz)	Impedance (Ω MAX)
				20°C, 100kHz
10 (1A)	330	8×11.5	360	0.22
	470	10×12.5	620	0.15
	1000	10×20	960	0.073
	2200	12.5×25	1430	0.040
	3300	16×25	1900	0.038
	4700	16×31.5	2300	0.034
16 (1C)	330	8×11.5	360	0.22
	470	10×12.5	620	0.15
	1000	10×20	960	0.073
	2200	12.5×25	1430	0.040
	3300	16×31.5	2300	0.034
	4700	16×35.5	2550	0.031
25 (1E)	220	8×11.5	360	0.22
	330	10×12.5	620	0.15
	470	10×16	800	0.10
	1000	12.5×20	1100	0.055
	2200	16×31.5	2300	0.034
35 (1V)	100	8×11.5	360	0.22
	220	10×12.5	620	0.15
	330	10×16	800	0.10
	470	10×20	960	0.073
	1000	12.5×25	1430	0.040
50 (1H)	2200	16×35.5	2550	0.031
	3300	18×35.5	2800	0.028
	4.7	8×11.5	100	0.85
	10	8×11.5	200	0.60
	22	8×11.5	260	0.35
63 (1J)	33	8×11.5	300	0.28
	47	8×11.5	300	0.28
	100	10×12.5	520	0.18
	220	10×20	890	0.082
	330	12.5×20	1000	0.065
	470	12.5×25	1200	0.051
	1000	16×31.5	2180	0.037
	2200	18×40	2800	0.029
	33	8×11.5	250	0.40
	47	10×12.5	400	0.27
100 (2A)	100	10×16	450	0.20
	220	12.5×20	820	0.10
	330	12.5×25	1000	0.072
	470	16×25	1500	0.069
	1000	16×31.5	1850	0.056
	1500	18×40	2350	0.043
	4.7	8×11.5	100	1.3
	10	8×11.5	200	1.0
22	8×11.5	220	0.67	
33	10×12.5	260	0.45	
47	10×16	330	0.33	
100	12.5×20	670	0.17	
220	16×25	1100	0.13	
330	16×31.5	1300	0.10	
470	18×31.5	1600	0.092	

Rated Voltage (V·DC)	capacitance (μF)	Size φD×L(mm)	Rated ripple current (mA r.m.s./130°C, 100kHz)
200 (2D)	4.7	6.3×11	100
		8×11.5	120
	5.6	8×11.5	130
		8×16	180
	6.8	8×11.5	130
		8×16	180
	10	8×16	200
		8×20	240
	15	8×16	200
		8×20	240
22	8×20	300	
	10×16	240	
33	10×20	320	
400 (2G)	1	6.3×11	60
		8×11.5	65
	1.5	8×11.5	75
		8×16	80
	1.8	8×11.5	75
		8×16	85
	2.2	8×11.5	75
		8×16	90
	8×20	8×20	110
		2.7	8×16
	8×20		115
	3.3	8×16	100
		8×20	120
	4.7	8×20	120
10×16		125	
5.6	10×16	130	
	10×20	145	
6.8	10×20	150	