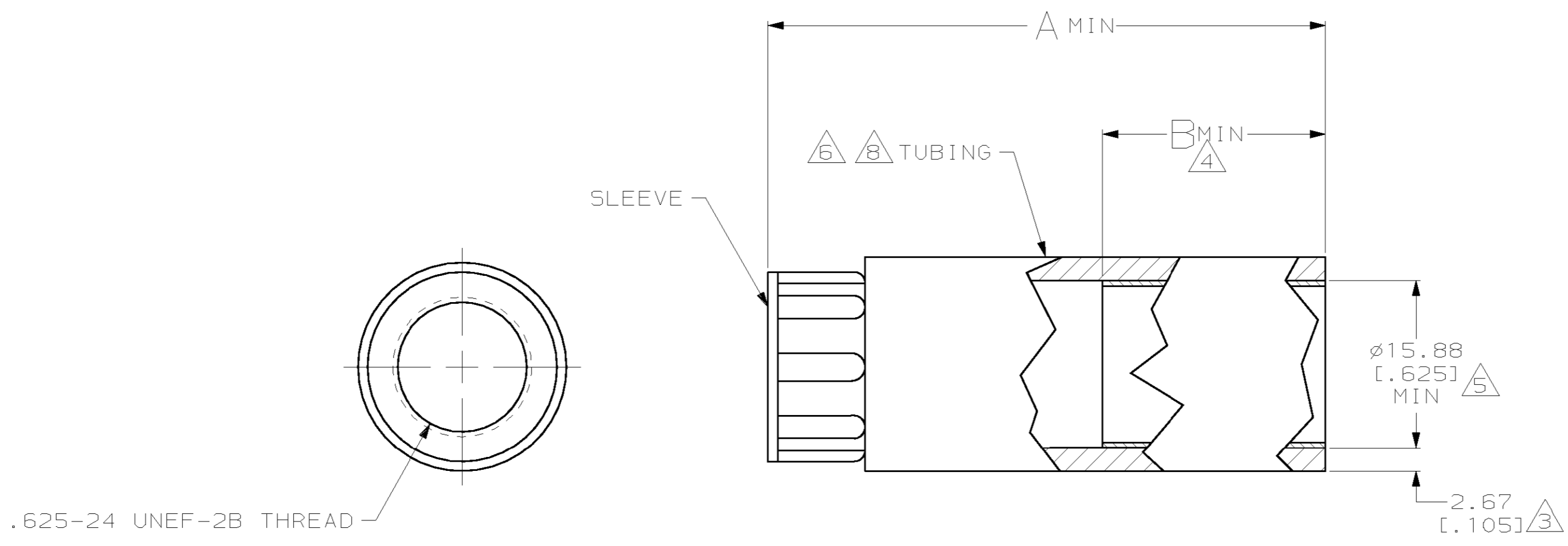


THIS DRAWING IS UNPUBLISHED. RELEASED FOR PUBLICATION .19
 BY AMP INCORPORATED. ALL RIGHTS RESERVED.

LOC	DIST	REVISIONS			
P	LTR	DESCRIPTION	DATE	DWN	APVD
FT	0				
	T	REVISED EC 0G3B-0020-99	07 SEP 99	-	-
	U	REVISED EC 0G3B-0067-99	07 SEP 99	SW	MC



- 1 POLYOLEFIN, BLACK.
- 2 NYLON, BLACK.
- 3 NOMINAL WALL THICKNESS, PRIOR TO HEAT SHRINKING.
- 4 LENGTH OF SEALANT.
- 5 EXPANDED INSIDE DIAMETER.
- 6 6.35[.250] MAXIMUM RECOVERED INSIDE DIAMETER.
- 7. ASSEMBLY WILL PASS 0.0703 KG PER SQUARE CENTIMETER [ONE POUND PER SQUARE INCH] WATER PRESSURE TEST.
- 8 121°C[250°F] SHRINK TEMPERATURE.
- 9. -55°C TO 110°C[-67°F TO 230°F] OPERATING TEMPERATURE.
- 10. THIS PART WILL ACCOMMODATE $\phi 6.35$ - $\phi 15.24$ [$\phi .250$ - $\phi .600$] CABLE RANGE.

17.8 [.70]	41.1 [1.62]	54010-2
25.4 [1.00]	63.5 [2.50]	54010-1
B	A	PART NUMBER

THIS DRAWING IS A CONTROLLED DOCUMENT.		DWN C. REIFSNYDER 09 APR 96	AMP Incorporated Harrisburg, PA 17105-3608	
DIMENSIONS: mm		CHK R. STONE 15 APR 95	AMP	
TOLERANCES UNLESS OTHERWISE SPECIFIED:		APVD T. A. WETZEL 03 MAY 96	NAME	
0 PLC ±-		PRODUCT SPEC		
1 PLC ±-		APPLICATION SPEC		
2 PLC ±-		WEIGHT		
3 PLC ±-		SIZE		
4 PLC ±-		CAGE CODE		
ANGLES ±-		DRAWING NO		
FINISH -		RESTRICTED TO		
MATERIAL	TUBING: 1	A2 00779 C- 54010		
SLEEVE: 2	CUSTOMER DRAWING			
SCALE 2:1		SHEET 1 OF 1		REV U

54010