



Designers' Choice

# PC SCREW TERMINALS

## LOW PROFILE - PC SCREW TERMINALS

These easy to mount screw terminals are ideally suited for high density packaging and are available unassembled or with the screw installed and captivated. They are a practical alternative to PC screw type edge connectors, barrier blocks, terminal boards and terminal strips.

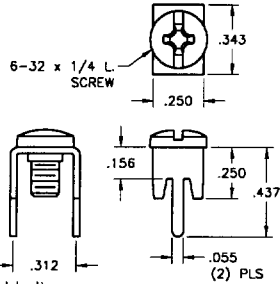
### PRINCIPAL FEATURES

- Low profile
- Stable, no-rock design
- Easily mounts in pre-drilled or stamped holes
- Accepts 12-22 AWG solid or stranded wire, scrimp type terminals or lugs
- Space saving and time saving
- Combination drive, binding head screw

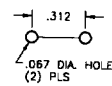


### SPECIFICATIONS

**Rated:** 15 Amps  
**Terminal:**  
 .032 Brass, Tin Plate  
**Binding Head Screw:**  
 Brass, Nickel Plate



Mounting Detail



**CAT. NO. 8198**  
 (Screw Supplied Unassembled)  
**CAT. NO. 7778**  
 (Screw Installed & Captivated)

A practical, low-cost alternative to PC screw type edge connectors, barrier blocks, terminal boards and terminal strips. Supplied unassembled or with screw installed and captivated.

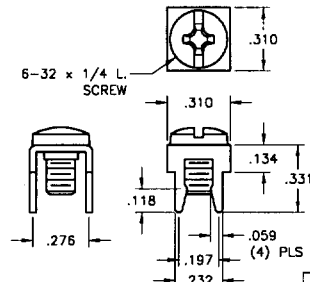
### PRINCIPAL FEATURES

- Low profile
- Stable, no-rock design with exclusive anti-rotational feature
- Ideally suited for high-density packaging
- Space saving and time saving
- Combination drive, binding head screw

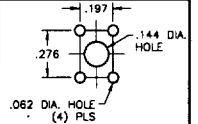


### SPECIFICATIONS

**Rated:** 15 Amps  
**Terminal:**  
 .032 Brass, Tin Plate  
**Binding Head Screw:**  
 Brass, Nickel Plate



Mounting Detail



**CAT. NO. 8195**  
 (Screw Supplied Unassembled)  
**CAT. NO. 7775**  
 (Screw Installed & Captivated)

## 30 AMP - PC SCREW TERMINALS

A practical, low-cost alternative to PC screw type edge connectors, barrier blocks, terminal boards and terminal strips. Supplied unassembled or with screw installed and captivated.

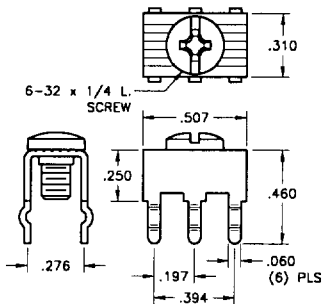
### PRINCIPAL FEATURES

- Compact, heavy duty design
- Six snap-in legs for total stability
- Serrated top surface secures connection
- Combination drive, binding head screw

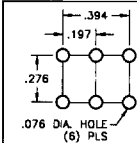


### SPECIFICATIONS

**Rated:** 30 Amps  
**Terminal:**  
 .032 Brass, Tin Plate  
**Binding Head Screw:**  
 Brass, Nickel Plate



Mounting Detail



**CAT. NO. 8197**  
 (Screw Supplied Unassembled)  
**CAT. NO. 8199**  
 (Screw Installed & Captivated)

### HEAVY DUTY

This heavy duty screw terminal has been designed to carry 30 Amps, while maintaining a space saving compact profile, making it ideal for high density packaging.

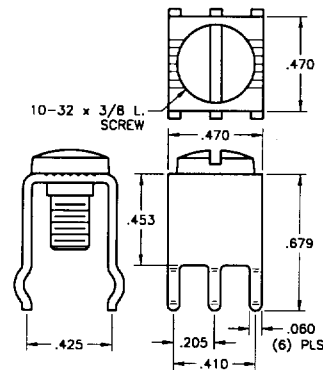
### PRINCIPAL FEATURES

- Compact, heavy duty design
- Six snap-in legs for total stability
- Serrated top surface secures connection

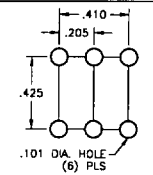


### SPECIFICATIONS

**Rated:** 30 Amps  
**Terminal:**  
 .045 Brass, Tin Plate  
**Screw:** Stainless Steel



Mounting Detail



**CAT. NO. 8196**  
 (Screw Supplied Unassembled)

## CUSTOM PC SCREW TERMINALS

Keystone is fully integrated to meet your total design & production needs.

Manufacturing custom designs & modifications of standard items is our specialty.

Quotations on special PC screw terminals furnished promptly upon receipt of sample, sketch, print or CAD drawings.