

FEATURES AND SPECIFICATIONS

Features and Benefits

- Positive latching to mating headers or plugs
- Fully isolated contacts
- Fully polarized to mating headers and plugs
- Integral pull tabs for ease in unmating

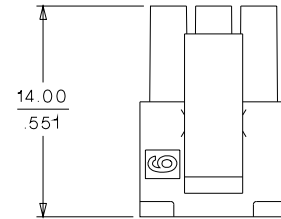
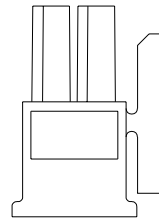
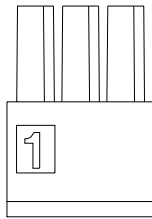
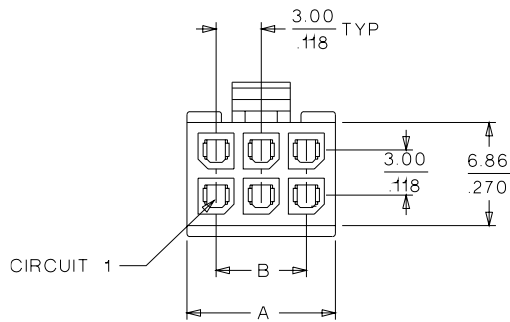
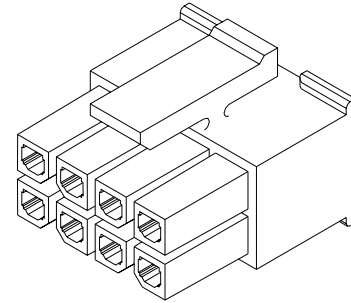
Physical

Housing: Polyester, UL 94V-0
 Contact: Phosphor Bronze
 Plating: Tin or Gold

molex® 3.00mm (.118") Pitch Micro-Fit 3.0™ Wire-to-Wire Receptacle

43025

Dual Row



ORDERING INFORMATION AND DIMENSIONS

Circuits	Order No.	Dimension	
		A	B
2	• 43025-0200	3.85 (.152)	
4	• 43025-0400	6.85 (.270)	3.00 (.118)
6	• 43025-0600	9.85 (.388)	6.00 (.236)
8	• 43025-0800	12.85 (.506)	9.00 (.354)
10	• 43025-1000	15.85 (.624)	12.00 (.472)
12	• 43025-1200	18.85 (.742)	15.00 (.591)
14	• 43025-1400	21.85 (.860)	18.00 (.709)
16	• 43025-1600	24.85 (.978)	21.00 (.827)
18	• 43025-1800	27.85 (1.096)	24.00 (.945)
20	• 43025-2000	30.85 (1.215)	27.00 (1.063)
22	• 43025-2200	33.85 (1.333)	30.00 (1.181)
24	• 43025-2400	36.85 (1.451)	33.00 (1.299)

• US Standard Product, available through Molex franchised distributors

PCB and Wire Connectors



FEATURES AND SPECIFICATIONS

Features and Benefits

- 4 points of contact for optimum reliability
- Box-type spring contact for high normal force
- Locking tang secures terminal in housing

Reference Information

Product Specification: PS-43045/PS-43650
 Packaging: Bag or reel
 UL File No.: E29179
 CSA File No.: LR19980
 TUV License No.: R95107
 Use With: 43025 and 43645 receptacles
 Designed In: Millimeters

Electrical

Voltage: 250V
 Current: 5.0A max.
 Contact Resistance: 10mΩ max.

Mechanical

Contact Insertion Force: 1.5kgf max. (3.30 lb)
 Contact Retention to Housing: 2.5kgf min. (5.50 lb)
 Crimping Pull-Out Force:

Wire Gauge (AWG)	Kgf min. (lb)
20	6.0 (13.2)
22	4.5 (9.9)
24	3.6 (7.9)
26	2.7 (5.9)
28	1.8 (3.9)
30	1.4 (3.0)

Mating Force: 1.0kgf max. (2.2 lb) per contact

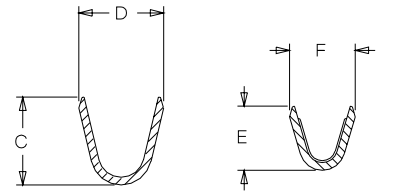
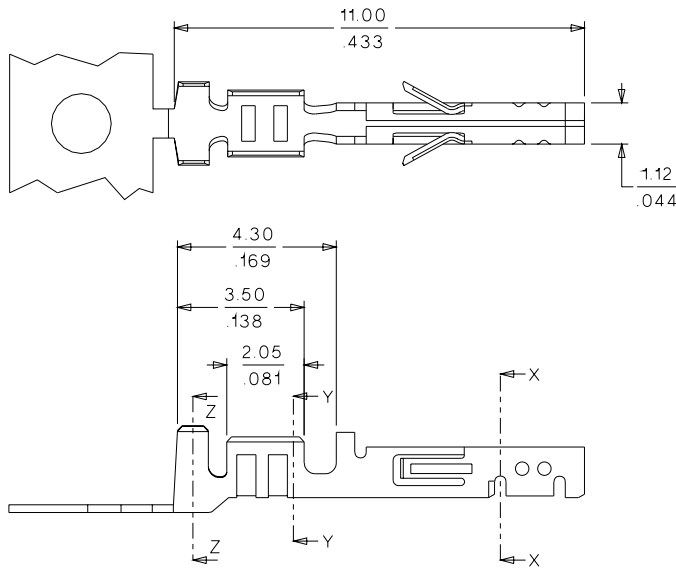
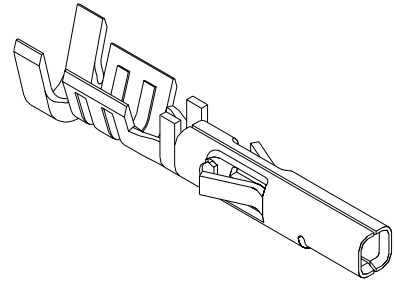
Normal Force: 375gf max. (0.32 lb)

Physical

Contact: Phosphor Bronze
 Plating: Tin or Gold

molex® 3.00mm (.118") Pitch Micro-Fit 3.0™ Terminal

43030 Female



SECTION Z-Z

SECTION Y-Y



SECTION X-X

ORDERING INFORMATION AND DIMENSIONS

Wire Size AWG	Plating	Order No.		Dimension			
		Reel	Bag	C	D	E	F
20-24	Tin	• 43030-0001	• 43030-0007	2.29 (.090)	2.54 (.100)	1.91 (.075)	2.08 (.082)
26-30	Tin	• 43030-0004	• 43030-0010	1.91 (.075)	2.10 (.083)	1.47 (.058)	1.65 (.065)
20-24	15µm Gold	• 43030-0002	• 43030-0008	2.29 (.090)	2.54 (.100)	1.91 (.075)	2.08 (.082)
26-30	15µm Gold	• 43030-0005	• 43030-0011	1.91 (.075)	2.10 (.083)	1.47 (.058)	1.65 (.065)
20-24	30µm Gold	• 43030-0003	• 43030-0009	2.29 (.090)	2.54 (.100)	1.91 (.075)	2.08 (.082)
26-30	30µm Gold	• 43030-0006	• 43030-0012	1.91 (.075)	2.10 (.083)	1.47 (.058)	1.65 (.065)

• US Standard Product, available through Molex franchised distributors