

Features

1 or 2 Pole 16 A Step relays for direct 35 mm rail mounting

- 17.4 mm wide
- Test button with mechanical indicators
- Choice of 6 switching sequences
- AC coils and DC coils
- Identification label
- Possible to connect illuminated push buttons with the additional part 026.00
- 35 mm rail (EN 50022) mount
- Cadmium free contact material

20.21



- Single phase switch 1 NO (SPST-NO)
- 35 mm rail mount

20.22, 24, 26, 28

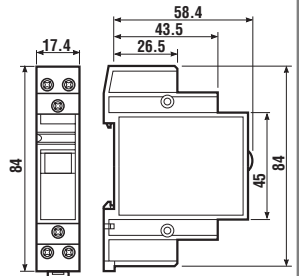
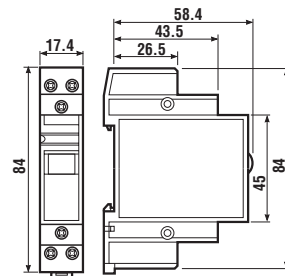
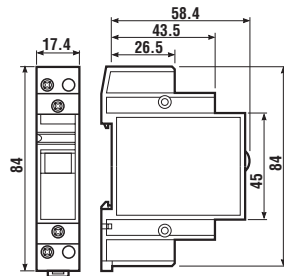
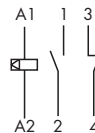
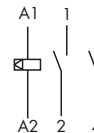


- Double phase switch
- 35 mm rail mount

20.23



- Double phase switch 1NO+1NC (SPST-NO+SPST-NC)
- 35 mm rail mount



Contact specification

Contact configuration		1 NO (SPST-NO)	2 NO (DPST-NO)	1NO+1NC (SPST-NO+SPST-NC)
Rated current/Maximum peak current	A	16/30	16/30	16/30
Rated voltage/Maximum switching voltage V AC		250/400	250/400	250/400
Rated load AC1	VA	4,000	4,000	4,000
Rated load AC15 (230 V AC)	VA	750	750	750
Nominal lamp rating: incandescent (230 V)	W	2,000	2,000	2,000
compensated fluorescent (230 V)	W	750	750	750
uncompensated fluorescent (230 V)	W	1,000	1,000	1,000
halogen (230 V)	W	2,000	2,000	2,000
Minimum switching load	mW (V/mA)	1,000 (10/10)	1,000 (10/10)	1,000 (10/10)
Standard contact material		AgNi	AgNi	AgNi

Coil specification

Nominal voltage (U _N)	V AC (50/60 Hz)	8 - 12 - 24 - 48 - 110 - 120 - 230 - 240		
	V DC	12 - 24 - 48 - 110	12 - 24 - 48 - 110	12 - 24 - 48 - 110
Rated power AC/DC	VA (50 Hz)/W	6.5/5	6.5/5	6.5/5
Operating range	AC	(0.85...1.1)U _N (50 Hz)/(0.9...1.1)U _N (60 Hz)		
	DC	(0.9...1.1)U _N	(0.9...1.1)U _N	(0.9...1.1)U _N

Technical data

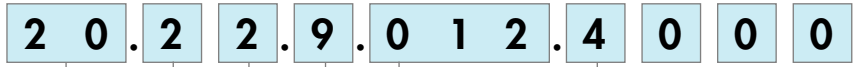
Mechanical life	cycles	300 · 10 ³	300 · 10 ³	300 · 10 ³
Electrical life at rated load in AC1	cycles	100 · 10 ³	100 · 10 ³	100 · 10 ³
Minimum/Maximum impulse duration		0.1s/1h (according to EN60669)	0.1s/1h (according to EN60669)	0.1s/1h (according to EN60669)
Insulation between coil and contacts (1.2/50 μs)	kV	4	4	4
Ambient temperature range	°C	-40...+40	-40...+40	-40...+40
Protection category		IP 20	IP 20	IP 20

Approvals (according to type)



Ordering information

Example: 20 series relay, 35 mm rail (EN 50022) mount, double phase switch, 2 NO (DPST-NO) 16 A contacts, coil rated at 12 V DC, AgSnO₂ contacts.



- Series** _____
- Type** _____
2 = 35 mm rail (EN 50022) mount
- No. of poles** _____
1 = Single phase switch 1 NO (SPST-NO)
2 = Double phase switch 2 NO (DPST-NO)
3 = Double phase switch 1 NC+1 NO (SPST-NO+SPST-NC)
4 = 4 sequence double phase switch 2 NO (DPST-NO)
6 = 3 sequence double phase switch 2 NO (DPST-NO)
8 = 4 sequence double phase switch 2 NO (DPST-NO)

- Contact material**
0 = AgNi standard
4 = AgSnO₂
- Coil voltage**
see coil specifications
- Coil version**
8 = AC (50/60 Hz)
9 = DC

Technical data

Insulation						
Dielectric strength						
between supply and contacts	V AC	3,500				
between open contacts	V AC	2,000				
between adjacent contacts	V AC	2,000				
Other data						
Power lost to the environment						
with rated current and coil deenergised	W	1.3 (20.21, 20.23, 20.28)		2.6 (20.22, 20.24, 20.26)		
Screw torque	Nm	0.8				
Max. wire size		Coil terminals		Contact terminals		
		solid cable	stranded cable	solid cable	stranded cable	
		mm ²	1x4 / 2x2.5	1x2.5 / 2x2.5	1x6 / 2x4	1x4 / 2x2.5
		AWG	1x12 / 2x14	1x14 / 2x14	1x10 / 2x12	1x12 / 2x14

If the coil is operated for a prolonged period of time, adequate ventilation of the relays must be provided - suggested gap of 9 mm between adjacent relays.

Coil specifications

DC version data

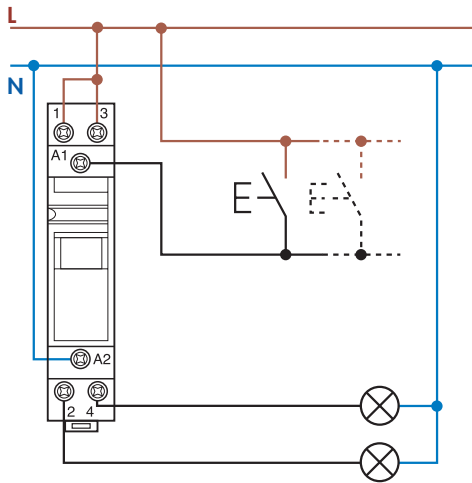
Nominal voltage U _N V	Coil code	Operating range		Resistance R Ω	Consumption I at U _N mA
		U _{min} V	U _{max} V		
12	9.012	10.8	13.2	27	440
24	9.024	21.6	26.4	105	230
48	9.048	43.2	52.8	440	110
110	9.110	99	121	2,330	47

AC version data

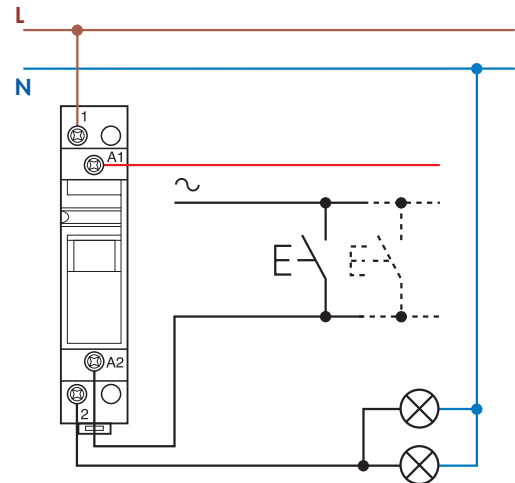
Nominal voltage U _N V	Coil code	Operating range		Resistance R Ω	Consumption I at U _N (50 Hz) mA
		U _{min} V	U _{max} V		
8	8.008	6.8	8.8	4	800
12	8.012	10.2	13.2	7.5	550
24	8.024	20.4	26.4	27	275
48	8.048	40.8	52.8	106	150
110	8.110	93.5	121	590	64
120	8.120	102	132	680	54
230	8.230	195.5	253	2,500	28
240	8.240	204	264	2,700	27.5

Type	Number of steps	Sequences			
		1	2	3	4
20.21	2				
20.22	2				
20.23	2				
20.24	4				
20.26	3				
20.28	4				

Wiring diagrams



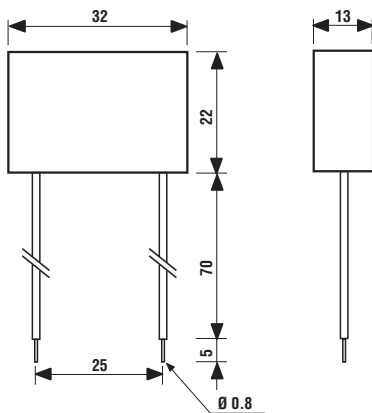
Example: 230 V AC supply voltage.



Example: 24 V AC supply voltage.

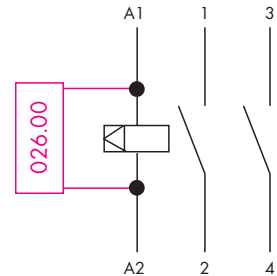
Accessories

Module for illuminated push-buttons



Type 026.00

Sealed version, 7.5 cm insulated and flexible terminals.



Example of wiring diagram of type 026.00

This module is necessary if using up to a maximum of 15 illuminated push-buttons (1.5 mA max, 230 V AC) in the switching input circuit. It must be connected in parallel to the coil of the relay (see diagram).



020.24

Sheet of marker tags, plastic, 24 tags, 9x17 mm

020.24