

Small, compact Thermostat KTO 011 / KTS 011



- Large setting range
- Small size
- Simple to mount
- High switching performance

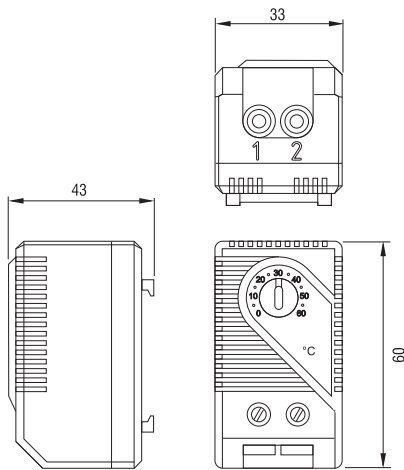
KTO 011: Thermostat (normally closed); contact breaker for regulating heaters.

KTS 011: Thermostat (normally open); contact maker for regulating of filter fans and heat exchangers or for switching signal devised when temperature limit has been exceeded.



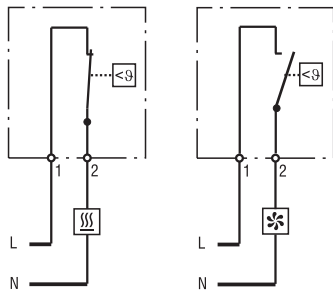
Technical Data

| | |
|--|---|
| Switch temperature difference | 7K (± 4K tolerance) |
| Sensor element | thermostatic bimetal |
| Contact type | snap-action contact |
| Service life | > 100,000 cycles |
| Max. Switching capacity | 250VAC, 10 (2) A 120VAC, 15 (2) A |
| Connection | DC 30W 2-pole terminal, clamping torque 0.5Nm max.: rigid wire 2.5mm ² stranded wire (with wire end ferrule) 1.5mm ² |
| Mounting | clip for 35mm DIN rail, EN60715 (or for exit filter EF 118 Series) |
| Casing | plastic according to UL94 V-0, light grey |
| Dimensions | 60 x 33 x 43mm |
| Weight | approx. 40g |
| Fitting position | variable |
| Operating / Storage temperature | -45 to +80°C (-49 to +176°F) |
| Operating / Storage humidity | max. 90 % RH (non-condensing) |
| Protection type | IP20 |

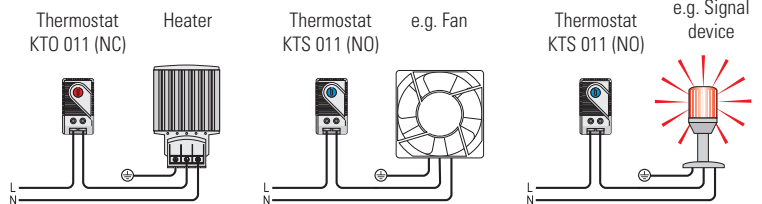
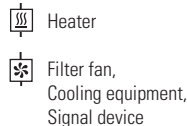


Thermostat KTO 011 (NC)

Thermostat KTS 011 (NO)



Connection diagrams



Examples of connection

| Setting range | Art. No. Contact Breaker (NC) | Art. No. Contact Maker (NO) | Approvals |
|---------------|-------------------------------|-----------------------------|---------------------------|
| 0 to +60°C | 01140.0-00 | 01141.0-00 | VDE |
| -10 to +50°C | 01142.0-00 | 01143.0-00 | VDE + UL File No. E164102 |
| +20 to +80°C | 01159.0-00 | 01158.0-00 | VDE + UL File No. E164102 |
| +32 to +140°F | 01140.9-00 | 01141.9-00 | VDE + UL File No. E164102 |
| +14 to +122°F | 01142.9-00 | 01143.9-00 | VDE + UL File No. E164102 |
| 0 to +60°C | 01146.9-00 | 01147.9-00 | VDE + UL File No. E164102 |