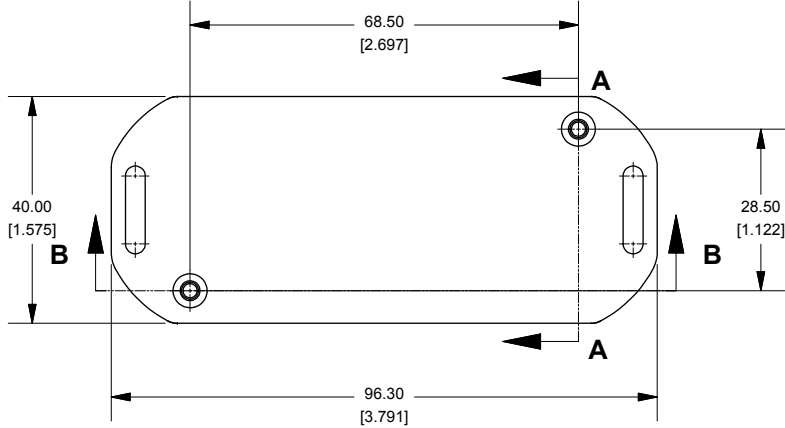
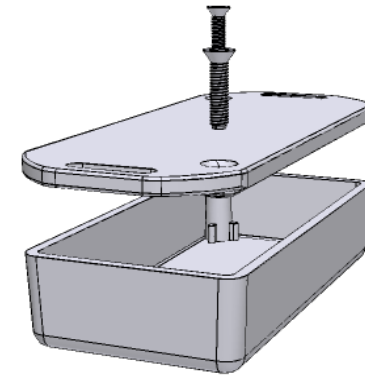
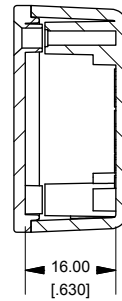


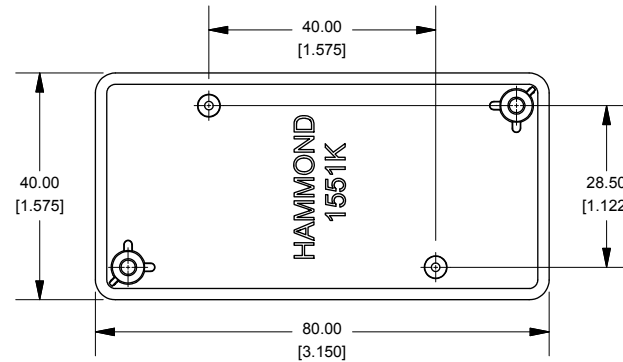
### Top View of Assembly



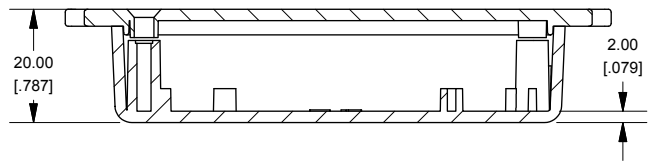
### SECTION A-A End View of Assembly



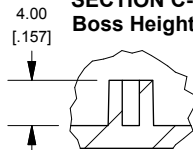
### Top View Looking Inside Box



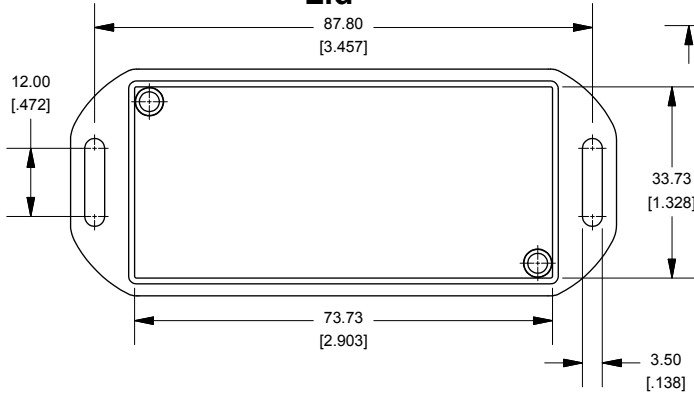
### SECTION B-B Side View of Assembly



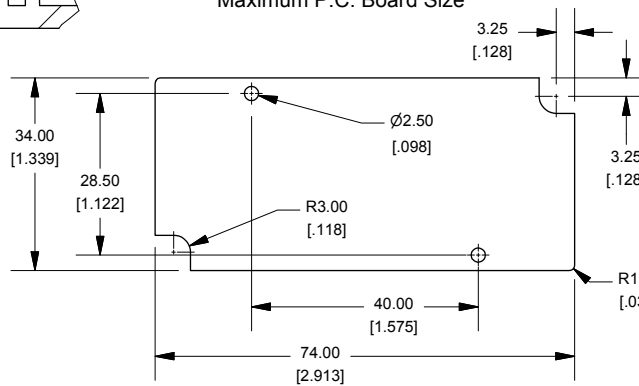
### SECTION C-C Boss Heights



### Lid



### Maximum P.C. Board Size



### NOTE

Purchased assembly includes lid and box made from GP ABS material and cover screws.

### 1551KFL

#### 1551KFL Enclosure

Black Enclosure - RAL 9011 - UL94 - HB	1551KFLBK
Gray Enclosure - RAL 7035 - UL94 - HB	1551KFLGY
Translucent Blue - UL94 - HB	B02887

#### ACCESSORIES

Recommended Screw Torque: 15-20 ozf.in (10-15 cN.m)

Black Enclosure Cover Screws (Pkg 100) [#4 X 1/2" Self Tapping]	1591TS100BK
Grey Enclosure Cover Screws (Pkg 100) [#4 X 1/2" Self Tapping]	1591TS100
P.C. Board Screws (Pkg 100) [#2 x 3/16" Self Tapping]	1551ATS100

