

Features

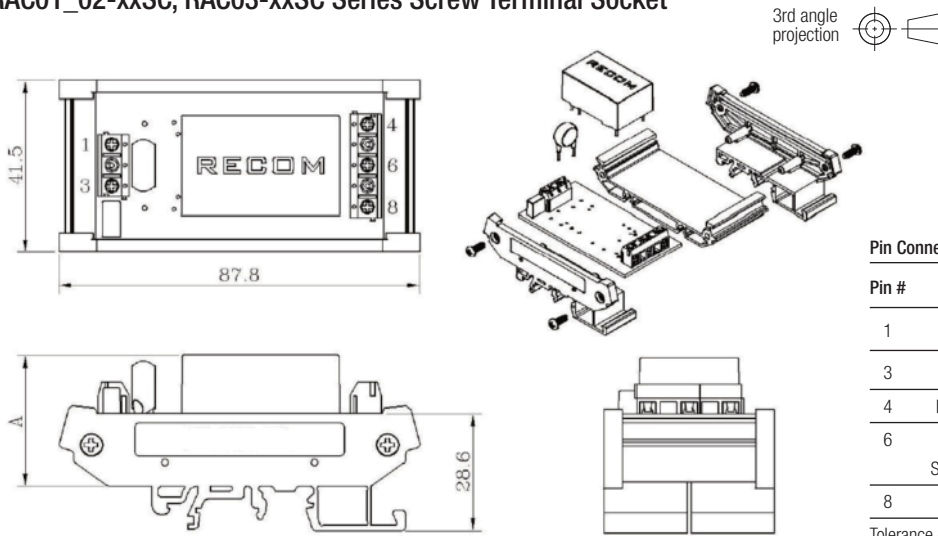
- DIN Rail Mounting Kit for AC/DC Converter Modules
- Faciliate Easy Installation
- Universal PCB with Pre-Mounted Fuse and Terminal Blocks
- Suitable for any RECOM AC/DC Module up to 10W
- For Industrial Control, Automation and Systems Monitoring Applications

Selection Guide

Part Number	Specification
RAC-DIN	suitable for any AC/DC Power Module from 1W to 10W (single & dual Outputs)

Package Style

RAC01_02-xxSC, RAC03-xxSC Series Screw Terminal Socket



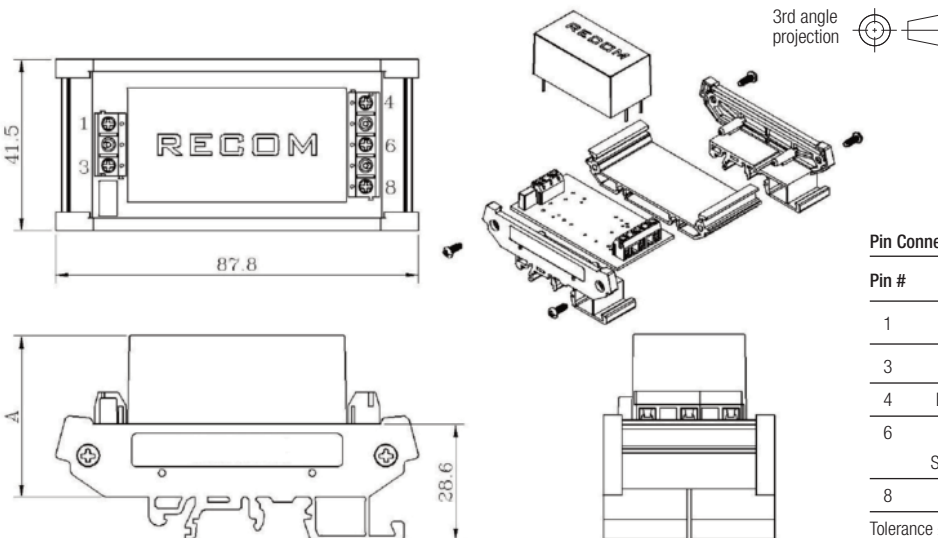
Pin Connections

Pin #	
1	VAC in (N)
3	VAC in (L)
4	Dual -VDC out
6	Dual Com
	Single -VDC out
8	+VDC out

Tolerance ± 0.5mm

A: RAC01_02-xxSC Series = 32.8mm
 RAC03-xxSC Series = 31.5mm

RAC04C-xxS(D)H, RAC05_06-xxSC, RAC10-xxS(D)C Series Screw Terminal Module Option



Pin Connections

Pin #	
1	VAC in (N)
3	VAC in (L)
4	Dual -VDC out
6	Dual Com
	Single -VDC out
8	+VDC out

Tolerance ± 0.5mm

A: RAC04-xxS(D)C Series = 32.2mm
 RAC05_06-xxSC Series = 31.5mm
 RAC10-xxS(D)C Series = 38.6mm

POWERLINE

Mounting Bracket



Removable DIN-Rail Mounting Bracket



RAC-DIN

Description

RECOM has introduced this DIN-rail mounting kit to make the mounting of low power AC/DC-modules in electrical cabinets quick, easy and safe. The kit consists of a universal PCB with pre-mounted fuse and terminal blocks, an MOV surge protection device for the 1W and 2W modules and a clip-on mounting bracket suitable for all standard 35mm DIN rails. The mounting kit can be used with any RECOM AC/DC module up to 10W, including the 277VAC input versions.

The discrete layout of the printed circuit board allows easy access to all components. Converters up to 3 watts are supplied with a varistor (MOV-Metal Oxide Varistor) that offers additional protection against over voltage if required. Converters with higher power ratings have these varistors already incorporated.