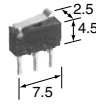
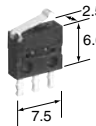


## FEATURES

- Superminiature type, light-weight snap action switch  
PC board terminal type (0.2g)



- Solder terminal type with mounting holes (0.3g)



mm

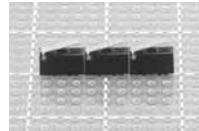
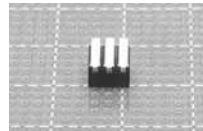
## TYPICAL APPLICATIONS

- Compact visual equipment  
Camera, portable VCR
- Small-sized audio equipment  
Cassette tape recorder, Car stereo
- Office automation equipment  
Light pen for personal computer, floppy disc apparatus, printer, computer

- Mechanical life of 300,000 operations minimum

Stainless steel plated silver or gold is used for actuating spring

- Switches can be mounted close together in any directions



Compliance with RoHS Directive

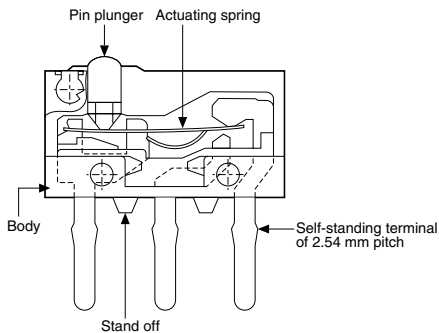
## ORDERING INFORMATION

Ex. AV 4 4 0 4 61

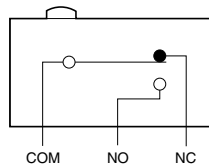
Product Name	Terminals	Actuators	Operating force, max. (by pin plunger)	Contacts
FU	0: Solder terminal with mounting holes (1.65 mm dia.) 4: PC board straight terminal 5: PC board angle terminal 6: PC board reverse angle terminal	0: Pin plunger 2: Hinge lever 4: Simulated roller lever	4: 0.98 N	Nil: Ag plate contact 61: Au plate contact

## CONSTRUCTION

PC board straight terminal type



## CONTACT ARRANGEMENT



## PRODUCT TYPES

Type of contacts	Actuator	Operating force, Max.	Type No.			
			PC board terminal			Solder terminal with mounting holes
			Straight terminal	Angle terminal	Reverse angle terminal	
Silver plated contact type	Pin plunger	0.98 N	AV4404	AV4504	AV4604	AV4004
	Hinge lever	0.25 N	AV4424	AV4524	AV4624	AV4024
	Simulated roller lever	0.29 N	AV4444	AV4544	AV4644	AV4044
Gold plated contact type	Pin plunger	0.98 N	AV440461	AV450461	AV460461	AV400461
	Hinge lever	0.25 N	AV442461	AV452461	AV462461	AV402461
	Simulated roller lever	0.29 N	AV444461	AV454461	AV464461	AV404461

## SPECIFICATIONS

### 1. Contact rating

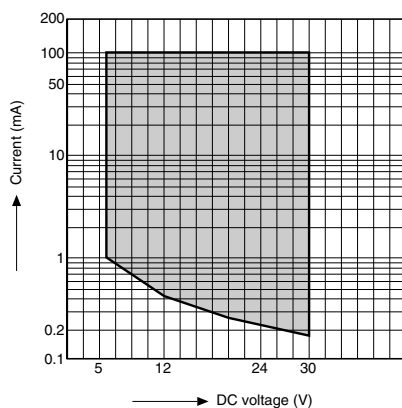
Type of contact	Resistive load ( $\cos\phi \approx 1$ )
Silver plated contact	0.5A 30V DC
Gold plated contact	0.1A 30V DC

### 2. Characteristics

Items		Characteristics	
Life	Mechanical	Min. $3 \times 10^5$ operations (at 60 cpm)	
	Electrical	Silver plated contact	Min. $2 \times 10^4$ operations (0.5A 30V DC; at 20 cpm)
		Gold plated contact	Min. $2 \times 10^5$ operations (0.1A 30V DC; at 20 cpm)
Insulation resistance		Min. 100 M $\Omega$ (250V DC by insulation resistance meter)	
Voltage withstand	Between non-continuous terminals	500V AC for 1 min.	
	Between each terminal and other exposed metal parts	500V AC for 1 min.	
	Between each terminal and ground	500V AC for 1 min.	
Vibration resistance	Pin plunger type	10 to 55 Hz at single amplitude of 0.75mm (contact opening: max. 1 msec.)	
	Lever type	10 to 55 Hz at single amplitude of 0.15mm (contact opening: max. 1 msec.)	
Shock resistance	Pin plunger type	Min. 294m/s <sup>2</sup> (contact opening: max. 1 msec.)	
	Lever type	Min. 147m/s <sup>2</sup> (contact opening: max. 1 msec.)	
Contact resistance (initial value)		Max. 200 m $\Omega$ (by YHP4328A)	
Allowable operation speed		0.1mm/s to 500mm/s (pin plunger type)	
Mechanical max. switching frequency		60 operations/min.	
Ambient temperature		-25 to +80°C (Not freezing below 0°C)	
Unit weight		PC board terminal type: Approx. 0.2g Solder terminal with mounting holes type: Approx. 0.3g	

## DATA

Gold plate contact type  
Range of low-level current and voltage  
(Reference only)



# AV4

## DIMENSIONS

The CAD data of the products with a **CAD Data** mark can be downloaded from: <http://panasonic-electric-works.net/ac>

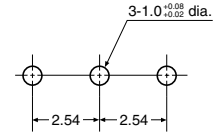
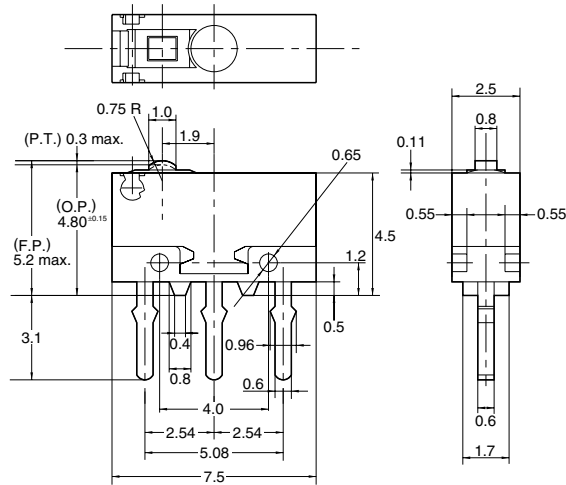
### 1. PC board terminal

Straight terminal  
Pin plunger type

mm General tolerance:  $\pm 0.15$

PC board pattern

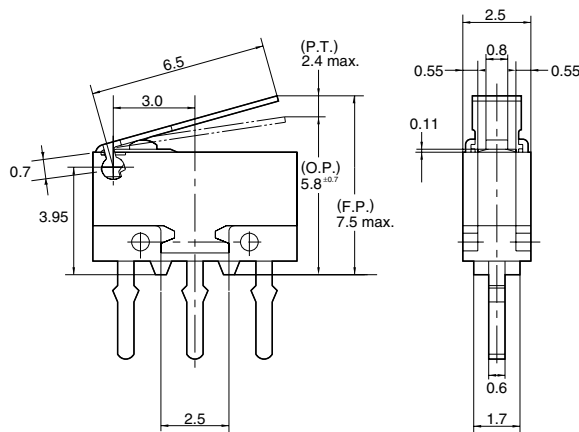
**CAD Data**



Pretravel	0.3 max.
Movement Differential	0.1 max.
Overtravel	0.1 min.
Operating Position	4.8±0.15
Free Position	5.2 max.

### Hinge lever type

**CAD Data**

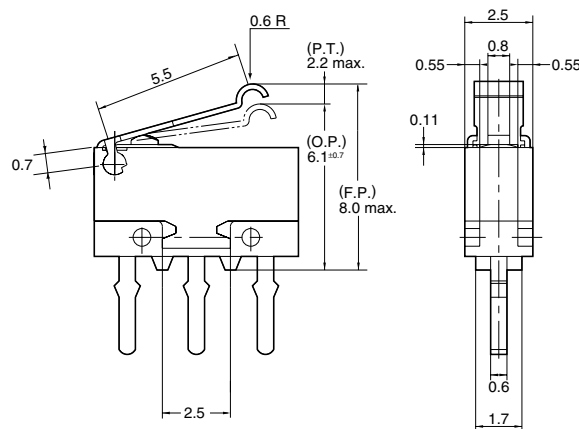


Pretravel	2.4 max.
Movement Differential	0.7 max.
Overtravel	0.4 min.
Operating Position	5.8±0.7
Free Position	7.5 max.

Note: All other dimensions are the same as those of pin plunger type.

### Simulated roller lever type

**CAD Data**

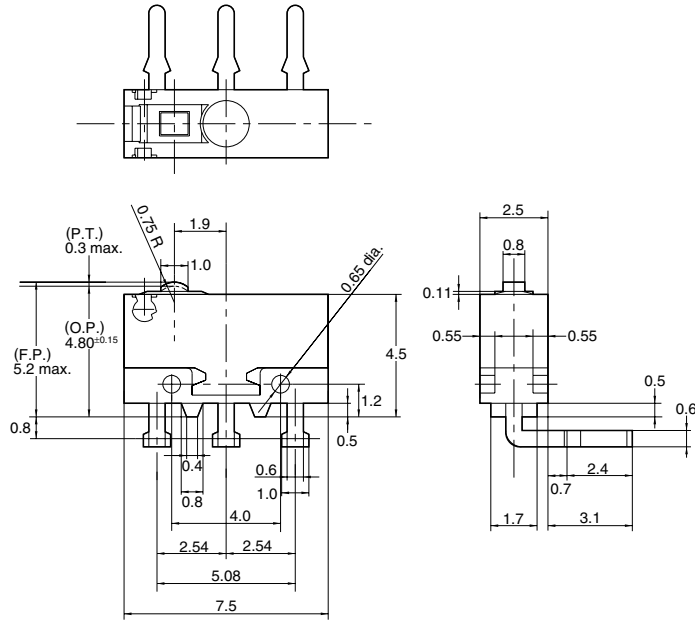
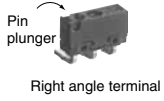


Pretravel	2.2 max.
Movement Differential	0.7 max.
Overtravel	0.3 min.
Operating Position	6.1±0.7
Free Position	8.0 max.

Note: All other dimensions are the same as those of pin plunger type.

**2. Angle terminal**  
Right angle terminal  
Pin plunger type

**CAD Data**

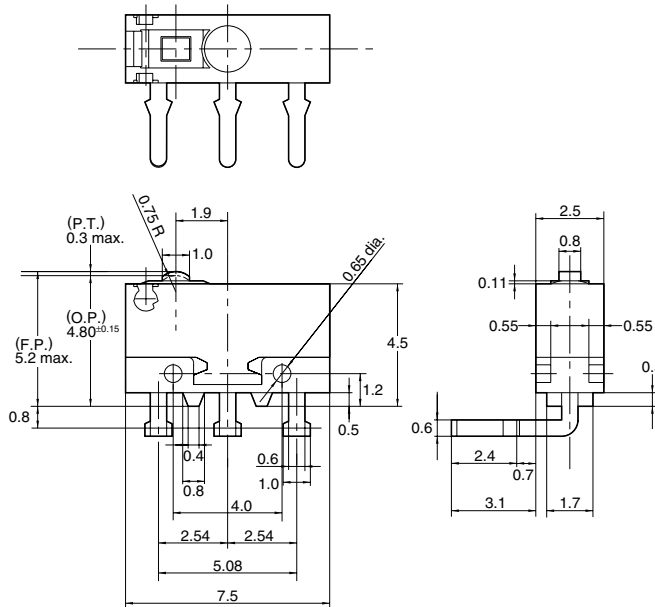
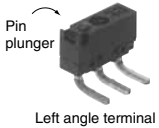


Pretravel	0.3 max.
Movement Differential	0.1 max.
Overtravel	0.1 min.
Operating Position	4.8±0.15
Free Position	5.2 max.

Note: All other dimensions of hinge lever type and simulated roller lever type are the same as those of straight terminal types.

**Left angle terminal**  
Pin plunger type

**CAD Data**



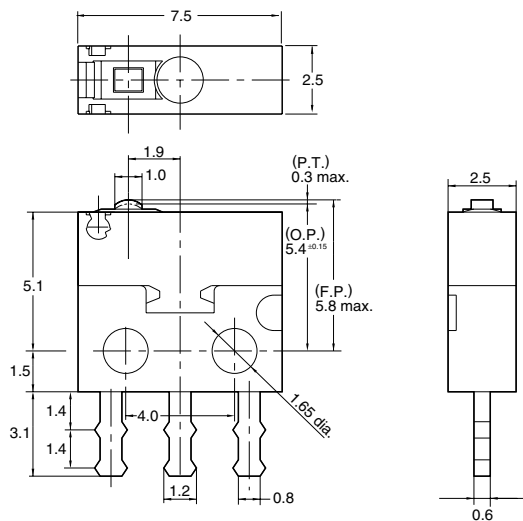
Pretravel	0.3 max.
Movement Differential	0.1 max.
Overtravel	0.1 min.
Operating Position	4.8±0.15
Free Position	5.2 max.

Note: All other dimensions of hinge lever type and simulated roller lever type are the same as those of straight terminal types.

**3. Solder terminal with mounting holes**

Pin plunger type

**CAD Data**



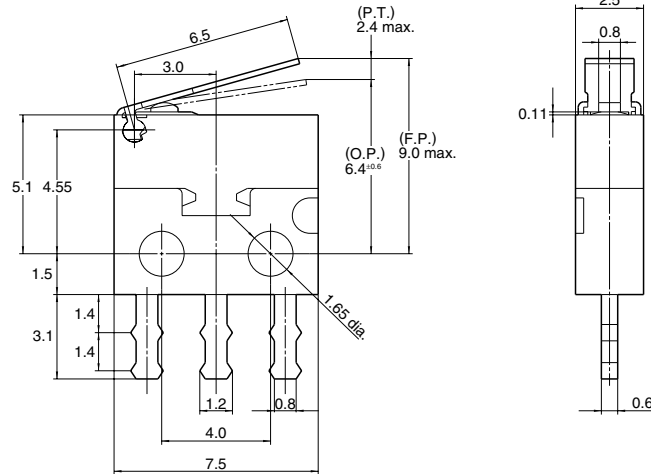
Pretravel	0.3 max.
Movement Differential	0.1 max.
Overtravel	0.1 min.
Operating Position	5.4±0.15
Free Position	5.8 max.

# AV4

Hinge lever type

mm General tolerance:  $\pm 0.15$

## CAD Data

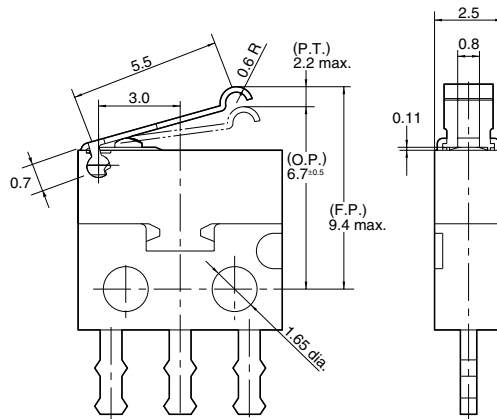


Pretravel	2.4 max.
Movement Differential	0.7 max.
Overtravel	0.4 min.
Operating Position	$6.4 \pm 0.6$
Free Position	9.0 max.

Note: All other dimensions are the same as those of pin plunger type.

Simulated roller lever type

## CAD Data



Pretravel	2.2 max.
Movement Differential	0.7 max.
Overtravel	0.3 min.
Operating Position	$6.7 \pm 0.5$
Free Position	9.4 max.

Note: All other dimensions are the same as those of pin plunger type.

## NOTES

### 1. Mounting

- 1) After mounting and wiring, the insulation distance between ground and each terminal should be confirmed as sufficient.
- 2) When the operation object is in the free position, force should not be applied to the actuator or to the pin plunger. Also force should be applied to the pin plunger from vertical direction to the switch.
- 3) In setting the movement after operation, the over-travel should be set within the range of the specified O.T. value.
- 4) In fastening the switch body, use the M1.4 screw, with tightening torque of not more than 0.098 N-m.

### 2. Soldering

- 1) Manual soldering should be accomplished within 5 seconds with max. 350°C iron. Care should be taken not to apply force to the terminals during soldering.
- 2) Terminal portion must not be moved within 1 minute after soldering. Also no tensile strength of lead wires should be applied to the terminals.
- 3) When using the angle terminal type, insert an insulation separator between the switch body and the printed circuit board (Insulation separator 0.2 to 0.4mm thick) to prevent the soldering flux from flowing under the PC board.

### 3. Cleaning

As AV4 switch is not completely sealed construction, avoid cleaning.

### 4. Selection of switch

When specifying AV4 switches, allow  $\pm 20\%$  to the listed operating characteristics.

### 5. Avoid using and keeping switches in the following conditions:

- In corrosive gases
- In a dusty environment
- Where silicon atmosphere prevails

### 6. When switching low-level circuits (max. 100 mA), gold plate contact types are recommended.

### 7. When using the lever type, avoid applying force from the reverse and side direction of actuating.