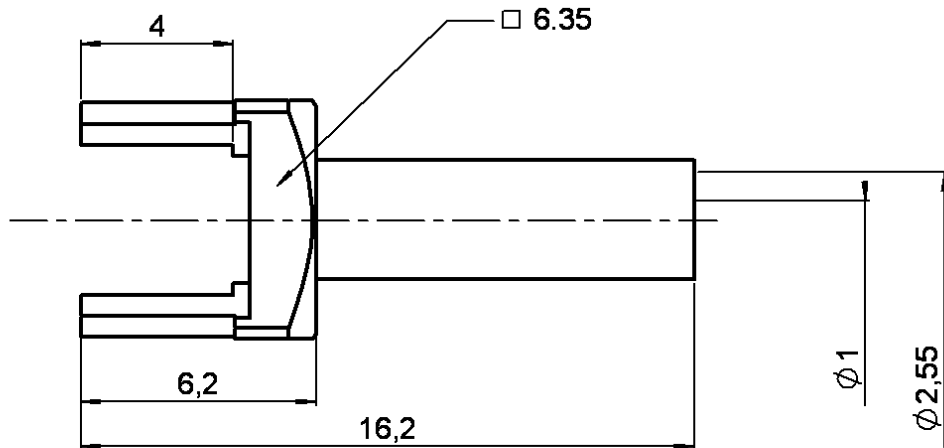


**STRAIGHT CRIMP DIELECTRIC FEEDTROUGHES**

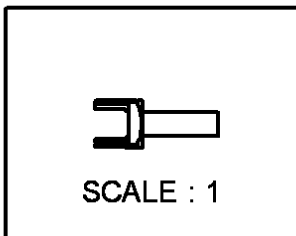
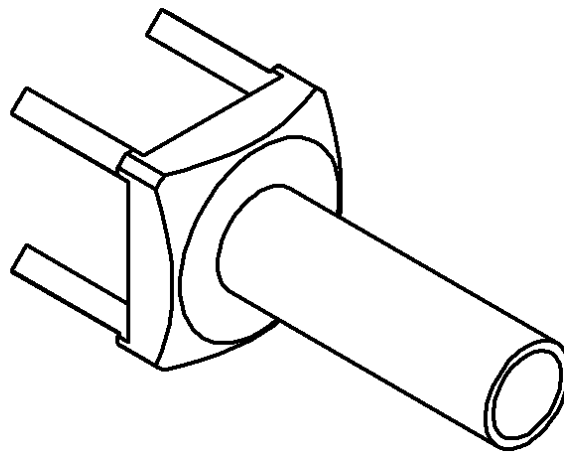
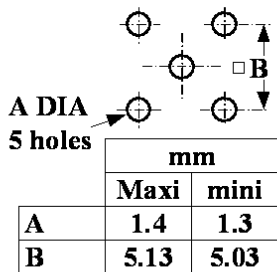
**R280.282.000**

**P.C.B CABLE 2/50**

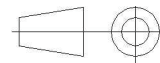
Series : ACC-COAX



**PANEL CUT OUT**



All dimensions are in mm.



COMPONENTS	MATERIALS	PLATING ( $\mu\text{m}$ )
BODY	BRASS	NICKEL 2
CENTER CONTACT	-	-
OUTER CONTACT	-	-
INSULATOR	-	-
GASKET	-	-
OTHERS PARTS	BRASS	NICKEL 2
-	-	-
-	-	-

Issue : 0116 E

In the effort to improve our products, we reserve the right to make changes judged to be necessary.



**STRAIGHT CRIMP DIELECTRIC FEEDTROUGHES**

**R280.282.000**

**P.C.B CABLE 2/50**

Series : ACC-COAX

**PACKAGING**

Standard	Unit	Other
<b>100</b>	<b>'W' option</b>	<b>Contact us</b>

**SPECIFICATION**

**4T 201128/00 - -**

**ELECTRICAL CHARACTERISTICS**

Impedance	<b>50</b>	$\Omega$
Frequency	<b>0 - 3</b>	GHz
VSWR	<b>+ 0.000</b>	x F(GHz) Maxi
Insertion loss	<b>.</b>	$\sqrt{F}$ (GHz) dB Maxi
RF leakage	<b>- (</b>	- F(GHz)) dB Maxi
Voltage rating	<b>750</b>	Veff Maxi
Dielectric withstanding voltage	<b>2000</b>	Veff mini
Insulation resistance		M $\Omega$ mini

**CABLE ASSEMBLY**

Stripping	a	b	c	d	e	f
mm	4.00	7.00	12.0	0.00	0.00	0.00

Assembly instruction : **Crimp 11**

Recommended cable(s)  
 KX 21  
 RG 178 LC  
 P513064  
 RG 178 FTX

Characteristics indicated on this data sheet are those that can be achieved with the highest performance cable. Intrinsic limitations of the cable may diminish the performance of the assembly

Cable retention

- pull off N mini  
 - torque N.cm

**MECHANICAL CHARACTERISTICS**

Center contact retention		
Axial force – Mating end		N mini
Axial force – Opposite end		N mini
Torque		N.cm mini

Recommended torque		
Mating		N.cm
Panel nut		N.cm
Clamp nut		N.cm
A/F clamp nut	<b>0.000</b>	mm

Mating life	<b>0</b>	Cycles mini
Weight	<b>0.000</b>	g

**TOOLING**

Part Number	Description	Hexagon
R282.211.000	CRIMPING TOOL	2.67

**OTHER CHARACTERISTICS**

-

**ENVIRONMENTAL**

Operating temperature	<b>-55/+155</b>	$^{\circ}$ C
Hermetic seal		Atm.cm3/s
Panel leakage		

Issue : 0116 E

In the effort to improve our products, we reserve the right to make changes judged to be necessary.

