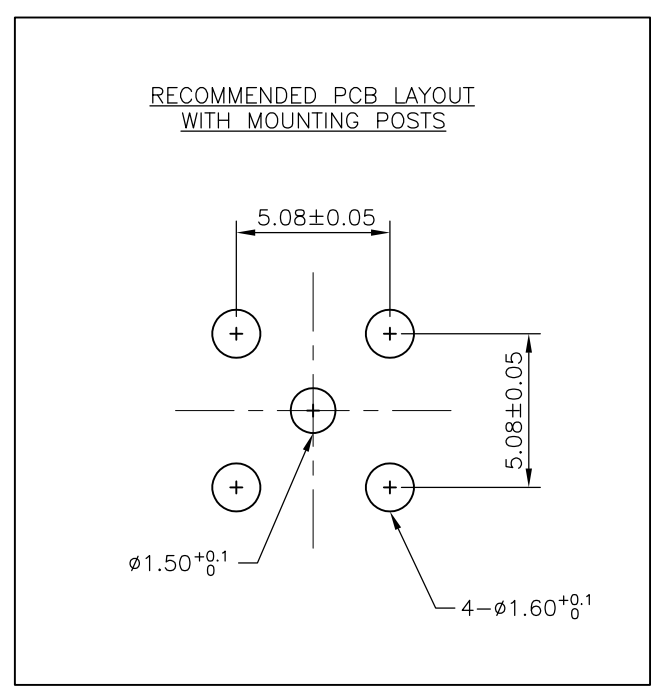
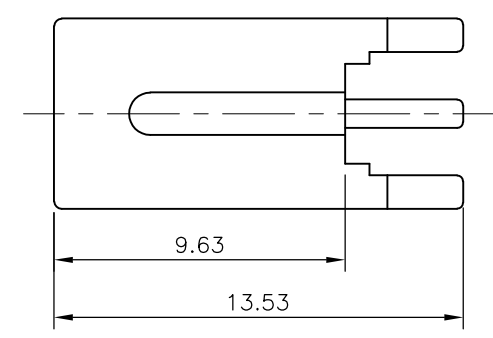
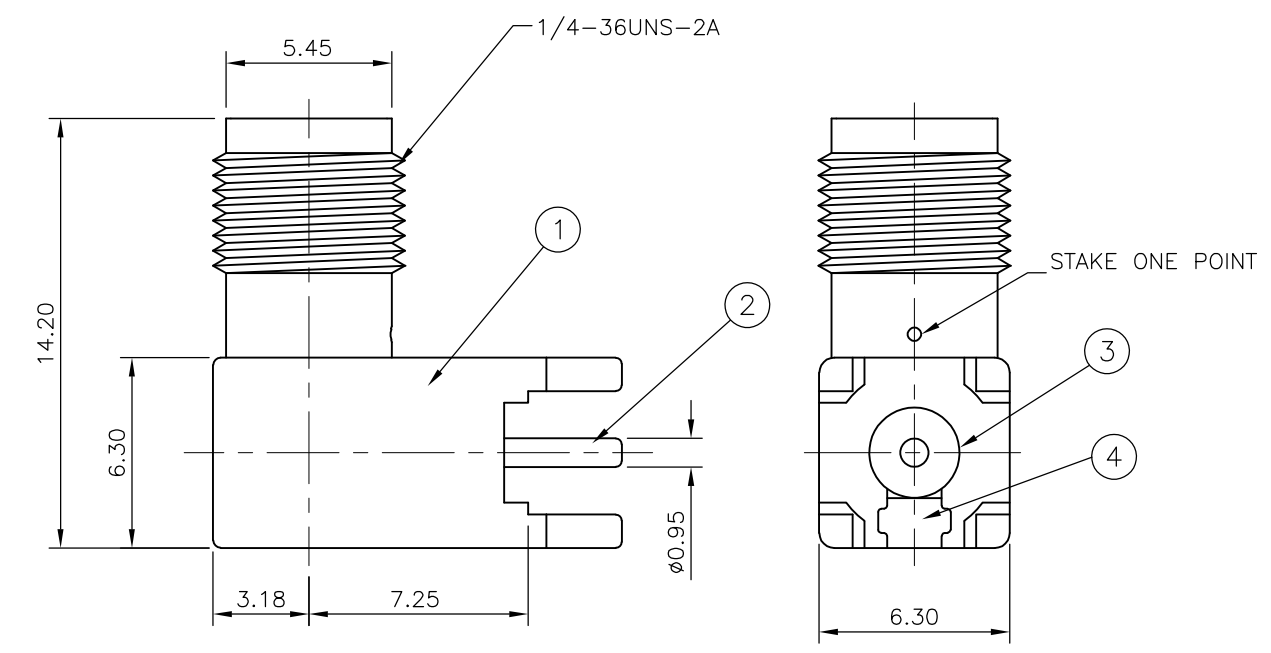


THIS DRAWING IS UNPUBLISHED. RELEASED FOR PUBLICATION JUNE ,2004.
 © COPYRIGHT 2004 By - ALL RIGHTS RESERVED.

LOC		DIST		REVISIONS			
E	B	P	LTR	DESCRIPTION	DATE	DWN	APVD
			D	REVISED PER ECO-14-006564	23MAY2014	RZ	MY

NOTES

- 1 SINGLE PACK IN ACCORDANCE WITH TE SPEC 107-3275
- 2 100 TRAY PACK IN ACCORDANCE WITH TE SPEC 107-3275
- 3 Au PLATING
- 4. FOR TECHNICAL DATA REFER TO YOUR LOCAL TE CONNECTIVITY SALES OFFICE
- 5. ALL DIMENSIONS ARE NOMINAL FOR REFERENCE ONLY UNLESS OTHERWISE STATED



QTY	QTY PER ASSY	MATERIAL	DESCRIPTION	ITEM
1	1	ZINC ALLOY	CAP	4
1	1	PTFE	INSULATOR	3
1	1	BERYLLIUM COPPER	CONTACT	2
1	1	ZINC ALLOY	BODY	1
5	15			0

THIS DRAWING IS A CONTROLLED DOCUMENT.		DWN ANSON MA 17MAR09	TE Connectivity				
DIMENSIONS: mm		CHK RITA ZUO 17MAR09				NAME	
TOLERANCES UNLESS OTHERWISE SPECIFIED:		APVD BOB ZHAO 17MAR09				SMA RIGHT ANGLE PCB SOCKET DIE CAST	
0 PLC ± 0.5 1 PLC ± 0.3 2 PLC ± 0.2 3 PLC ± - 4 PLC ± - ANGLES ± -		PRODUCT SPEC 108-112000	SIZE	CAGE CODE	DRAWING NO	RESTRICTED TO	
MATERIAL SEE TABLE		FINISH -	WEIGHT -	A3	00779	C-1814400	-
CUSTOMER DRAWING			SCALE NTS	SHEET 1 OF 1	REV D		