

# storm SF6000 Series Keypad



## Compact numeric data entry for use where panel space is limited

- Impact resistant  
20J BS EN 60068-2-75: 1997)
- Weather resistant (IP65)
- Suitable for use by those with mobility or sensory impairment
- Permanent, high contrast, laser engraved keytop graphics (engraved and infilled metal keys)
- Raised tactile symbols on coloured function keys and 'home pip' on the 5 key
- Rugged, reliable and responsive data entry featuring Storm's patented switch technology
- Available with black polymer keys, illuminated polymer keys or metal keys
- Small footprint – overall dimensions: 106.5 x 88.5 x 31 mm (including contact connections)
- Can be sanitised using most commonly used cleaning agents



[www.storm-interface.com](http://www.storm-interface.com)

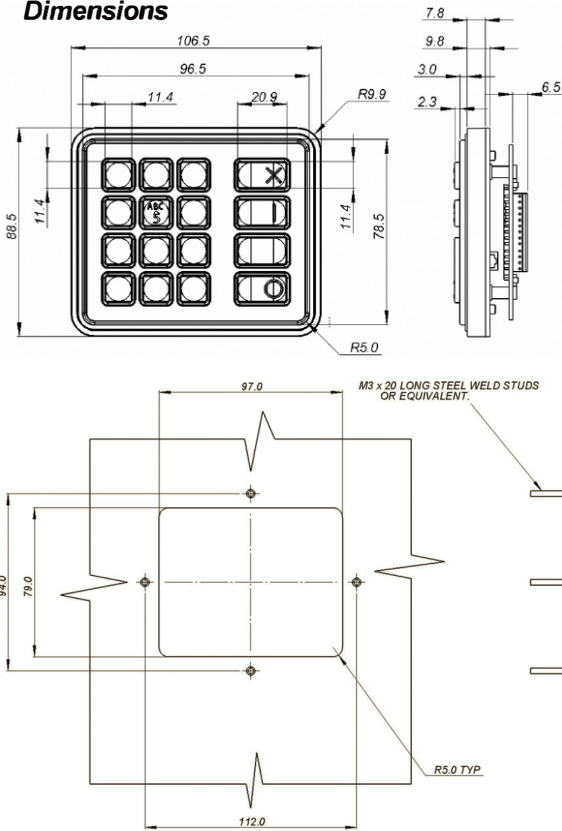
Storm Interface products include technology protected by international patents and design registration. All rights reserved.



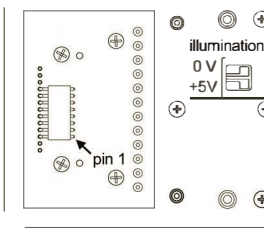
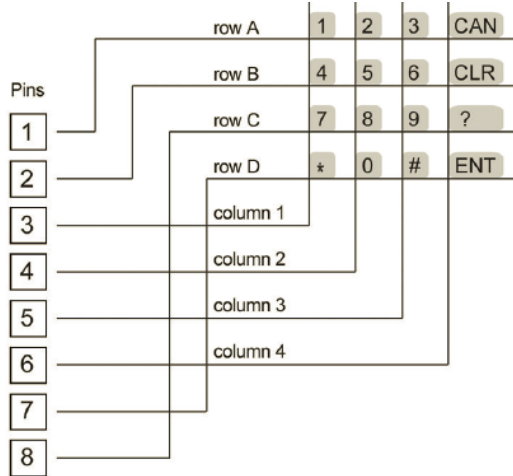
# Small Footprint – SF6000 Series Keypad



## Dimensions



## Connection Details



### Keypad connector

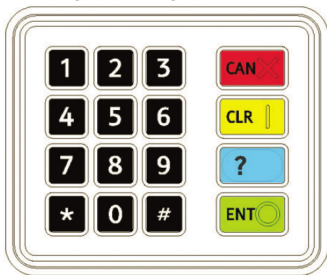
8-position, 0.1" pitch, gold plated right angle pins w/friction lock mates with: **Molex 22013087**

### Illumination connector

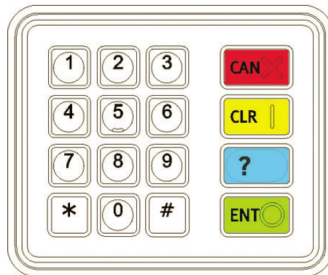
2-position, disconnectable mates with: **JST PHR-2**



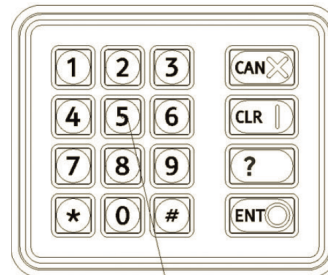
## Keypad Layouts



All other keys are black polymer, laser marked white.



All other keys are metal, engraved and infilled black



5 Key has central homepip

All keys are translucent white marked with black characters

**Red Polymer Key**  
with raised cross

**Yellow Polymer Key**  
with raised vertical bar

**Blue Polymer Key**  
no raised feature

**Green Polymer Key**  
with raised circle

**Red Illumination**  
with raised cross

**Yellow Illumination**  
with raised vertical bar

**Blue Illumination**  
no raised feature

**Green Illumination**  
with raised circle

## Electrical

Keypad Operating Voltage	24V DC (max)
Keypad Operating Current	50mA (max)
Contact Resistance	100 ohms (max)
Illumination Voltage	5V DC (separate connector)

## Mechanical

Minimum Operational Life	4 million cycles/key
Keytop Travel	1.5 mm
Actuation Force	150 gm

## Environmental

Operating Temperature	-20°C to 60°C
Vandal Resistant	20J BS EN 60068-2-75: 1997
Weather Resistant	IP65 (where mounted to a suitable enclosure – panel mount gasket included)

## Ordering Details

Part No.	Description
8616-21002[x]	Laser Engraved polymer Keys
8616-31002[x]	Engraved Metal Keys
8616-41002[x]	Illuminated Polymer Keys
8600-MK000[x]	Under Panel Mount Kit
4200-003	RS-232 Encoder (Requires connection via a cable which Storm does not supply)

Whilst every effort is made to ensure details are correct at time of print, specifications are subject to change without notice.



860-LIT 01 Rev 2  
Dec 2007



FM 39602



Storm is a trademark of Keymat Technology Ltd  
Storm Interface is a trading name of Keymat Technology Ltd  
Storm Interface products include technology protected by international patents and design registration. All rights reserved.