



RADIALL[®]
Fibre Optic Components

TECHNICAL DATA SHEET

F 709 023 XXX

Titre: ST2 MULTIMODE PLUG $\varnothing 128 \mu\text{m}$ CERAMIC FERRULE CABLE $\varnothing 2.7$ to 3

Series
F709

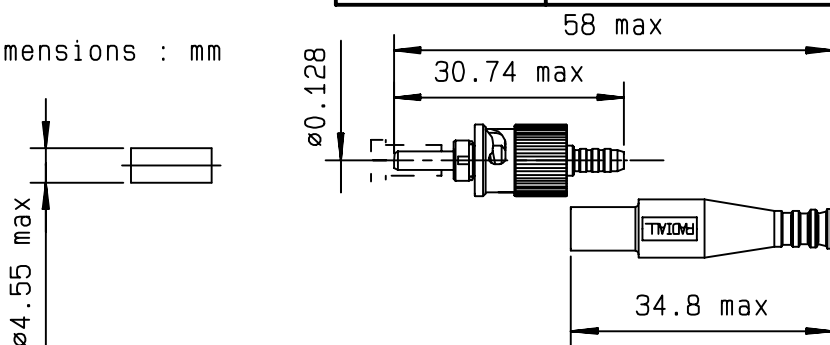
Issue:
03-17-99

Page
1/1

PACKAGING :	SINGLE	F 709 023 000
	PACK OF 100	F 709 023 200
	PACK OF 1000	F 709 023 201

mm to inch : 0.03937

Dimensions : mm



- BOOT :**
- COLOUR BLACK
 - INFLAMMABILITY : V1 (UL94)
 - MATERIAL IN ACCORDANCE WITH BELLCORE GR 326 CORE Issue 2, par. 3.3.1
- BODY :**
- BRASS
 - NICKEL PLATED

GENERAL

- TYPE :**
- IEC 1754-2 Type BFOC/2.5 - "ST2"
 - Ceramic Zirconia ferrule 20 mm pre-radius
 - Bayonet latching system
- FIBRE :** - Multimode 62.5/125
- CABLE :** - Cable $\varnothing 2.7$ to 3 mm (Hex. 3.84)
- WIRING :** ASSEMBLY PROCEDURE 503 08 390
- For a tight cable $\varnothing 2$ with aramid strength member and a coated fiber $\varnothing 0.9$:
----- See procedure F709PC02
 - For a loose cable $\varnothing 3$ with aramid strength member, a tube $\varnothing 0.6/1$ and a coated fiber $\varnothing 0.25$:-----See procedure F709PC30

CHARACTERISTICS

(Depending on fibre or cable construction)

- OPTICAL:** Typical insertion loss (IEC 1300-3-4, Methode B or CECC 86000 Methode 7) with adaptor F709730000 at 850 nm (LED).
- Typical : 0.25 dB
 - Standard deviation : 0.08 dB
 - Reproducibility ; 0.05 dB
- Return loss (IEC 61300-3-6 Methode B or CECC Methode 3, OTDR) :
- >30 dB (PC)
- MECHANICAL :**
- Mating life : 500 mating cycles
 - Fibre retention : 5 N
 - Cable retention : 100 N
 - Vibrations : 10-55Hz, 1.5 mm
- ENVIRONMENTAL:-** Climatic category : 25/70/4 0.2 dB

CREATION					
N° : EPF 9752	06/04/00	Change of protective cap	Lahera R		
Name : CAUSSE C	03-17-99	ASSEMBLY PROCEDURE REFERENCE	VALENCIA		
Date : 10-23-98	10-23-98	First issue	VALENCIA		
Verif. : VALENCIA	Issue	Revisions	Name	Approved	

Mouser Electronics

Authorized Distributor

Click to View Pricing, Inventory, Delivery & Lifecycle Information:

Radial:

[F709023000](#) [F709023200](#)