



Waterproof Fiber Optic Duplex LC Connector

Technical Features

Built to protect 10G fiber LC/LC connections in harsh industrial and outdoor environments

Duplex LC female pass-thru to female duplex LC connectors

Mounts case side to enclosure or panel (FA05LC1/FA05LC2)

With dust cap protects jack when not to use

With gasket seals protection

IP68 waterproof resists dust and endures immersion in 1.5 m of water up to 60 min

Housing material: PA66

Sealing ring: Silicon

Black color, RAL9005

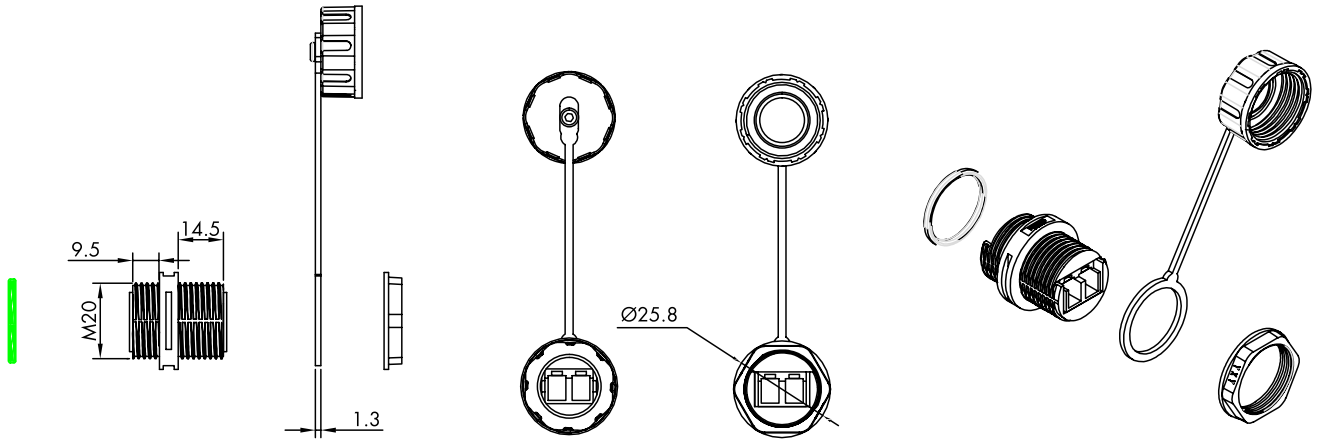
Art no.	Product Contents	EAN Code
FA05LC1	Fiber optic duplex LC connector with dust cap	4052792070125
FA05LC2	Fiber optic duplex LC connector with cable gland and dust cap	4052792070132
FA05LC3	Fiber optic duplex LC connector with 2x cable glands	4052792070149

Packaging Information

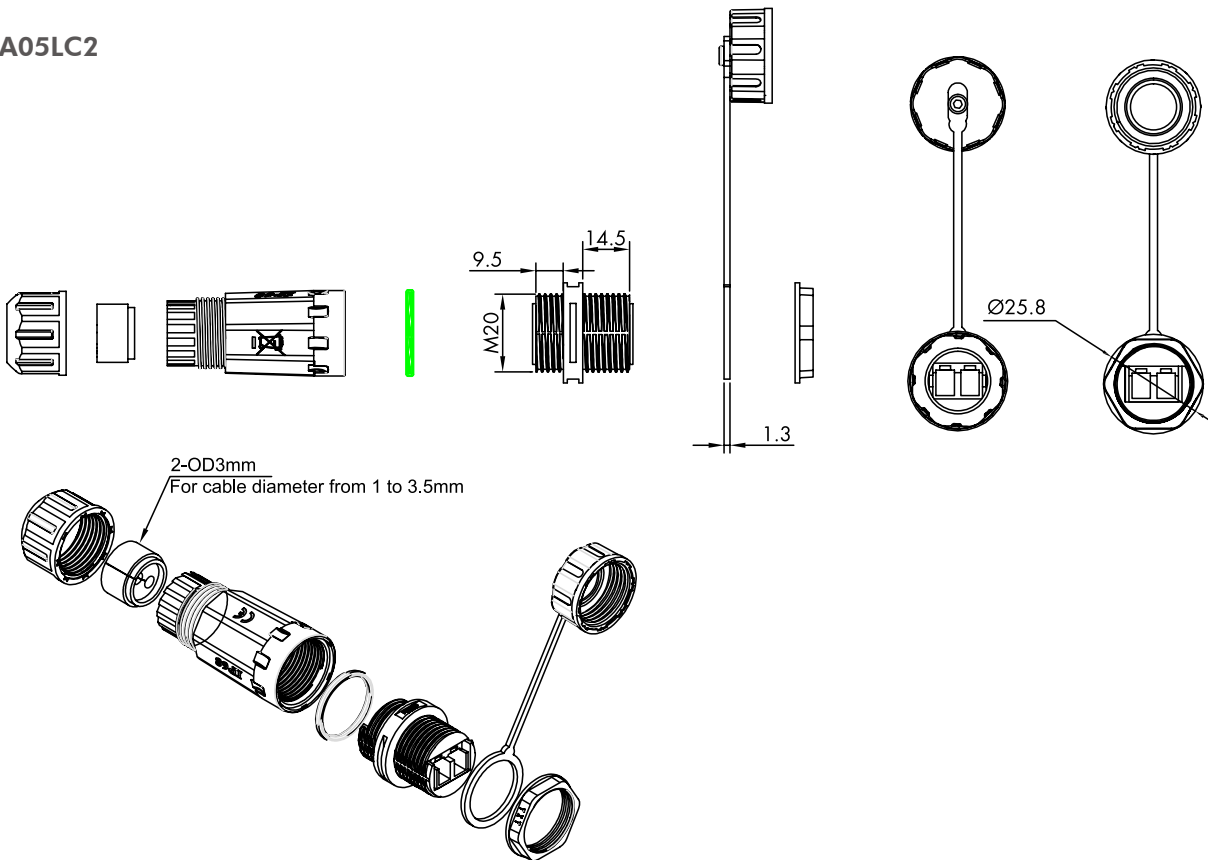
Art. no.	Packing Dimension	Packing Weight	Carton Dimension	Carton Q'ty	Carton Weight
FA05LC1	80 x 100 mm	0.0144 kg	mm	pcs	kg
FA05LC2	100 x 190 mm	0.0279 kg	mm	pcs	kg
FA05LC3	100 x 190 mm	0.0379 kg	mm	pcs	kg

Technical Drawings

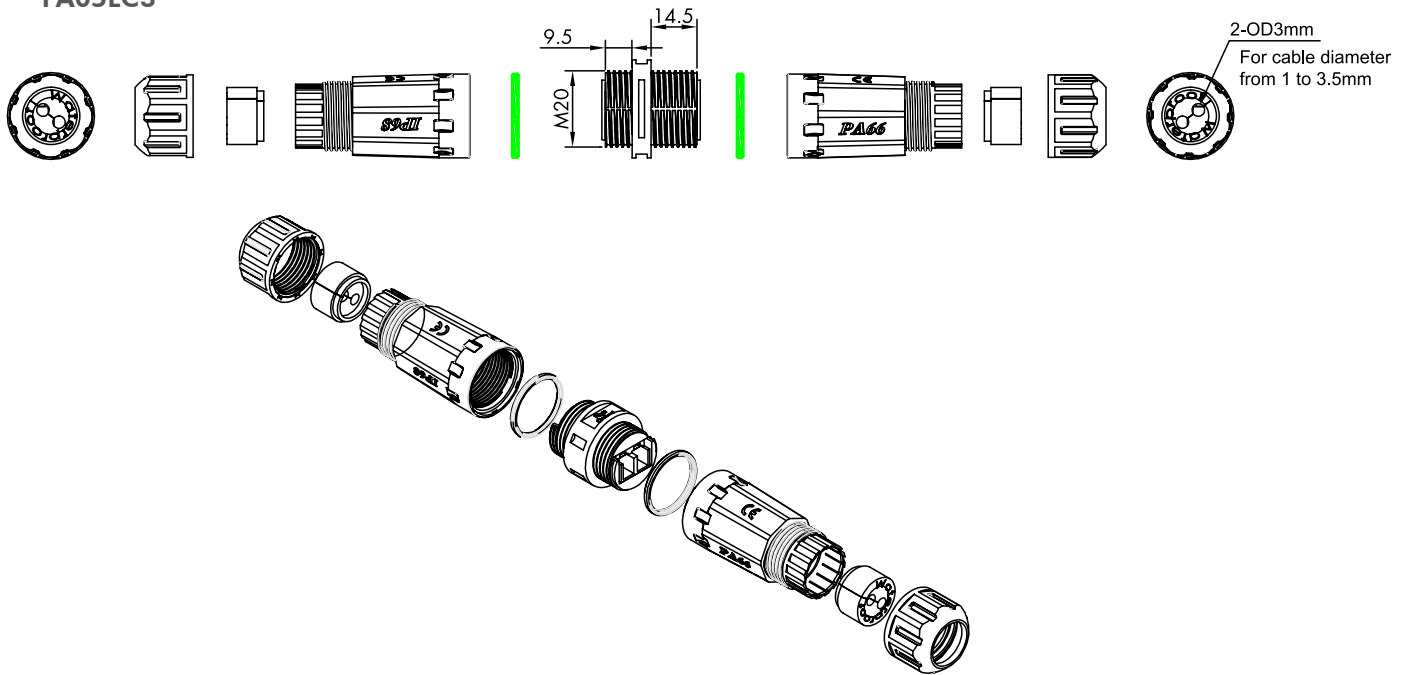
FA05LC1



FA05LC2



FA05LC3



Pictures

FA05LC1



FA05LC2



FA05LC3

