



## Waterproof Fiber Optic Simplex SC Connector

### Technical Features

Built to protect 10G fiber SC/SC connections in harsh industrial and outdoor environments

Simplex SC female pass-thru to female simplex SC connectors

Mounts case side to enclosure or panel (FA05SX1/FA05SX2)




With gasket seals protection

IP68 waterproof resists dust and endures immersion in 1.5 m of water up to 60 min

Housing material: PA66

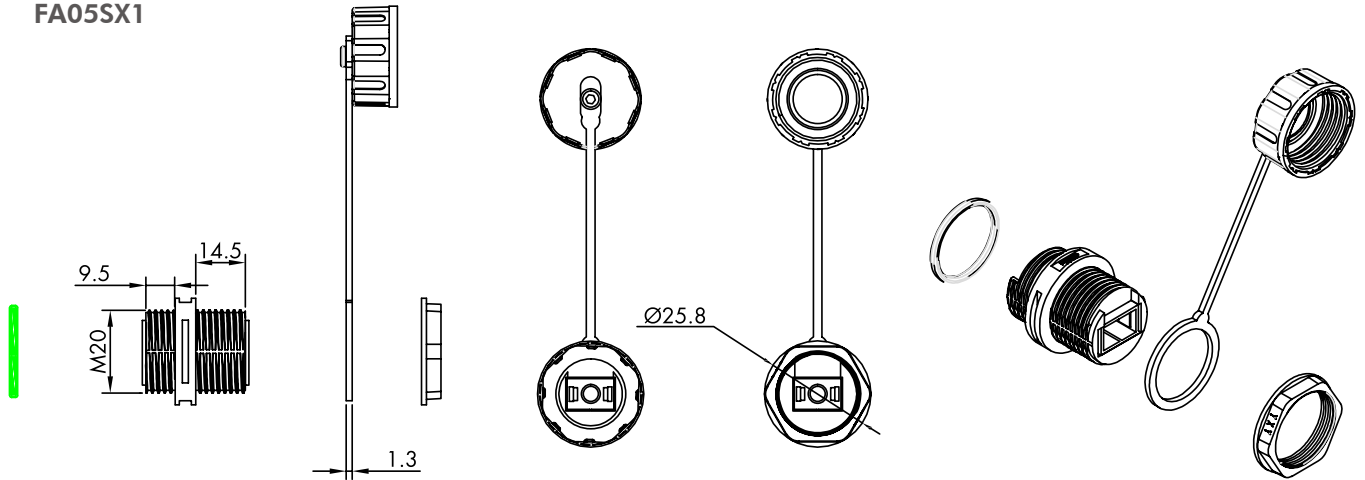
Sealing ring: Silicon

Black color, RAL9005

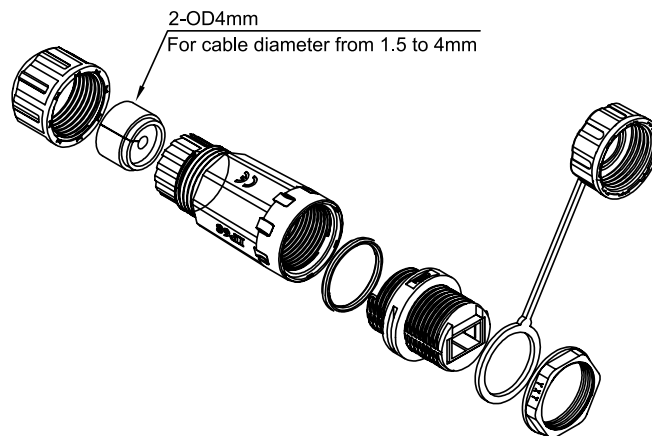
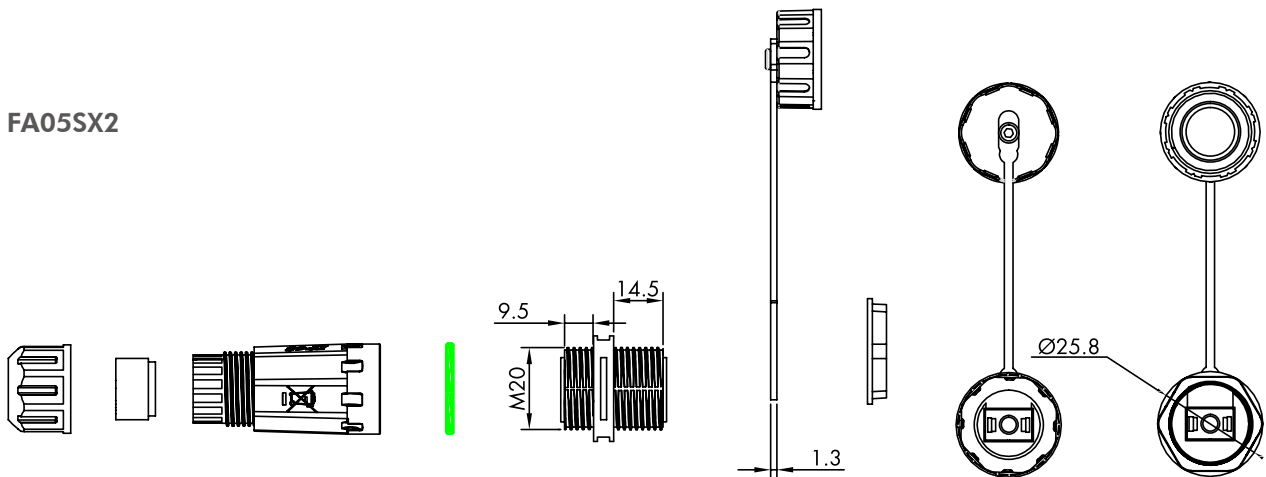
Art no.	Product Contents	EAN Code	Picture
FA05SX1	Fiber optic Simplex SC connector with dust cap	4052792070187	
FA05SX2	Fiber optic Simplex SC connector with cable gland and dust cap	4052792070194	
FA05SX3	Fiber optic Simplex SC connector with 2x cable glands	4052792070200	

## Technical Drawings

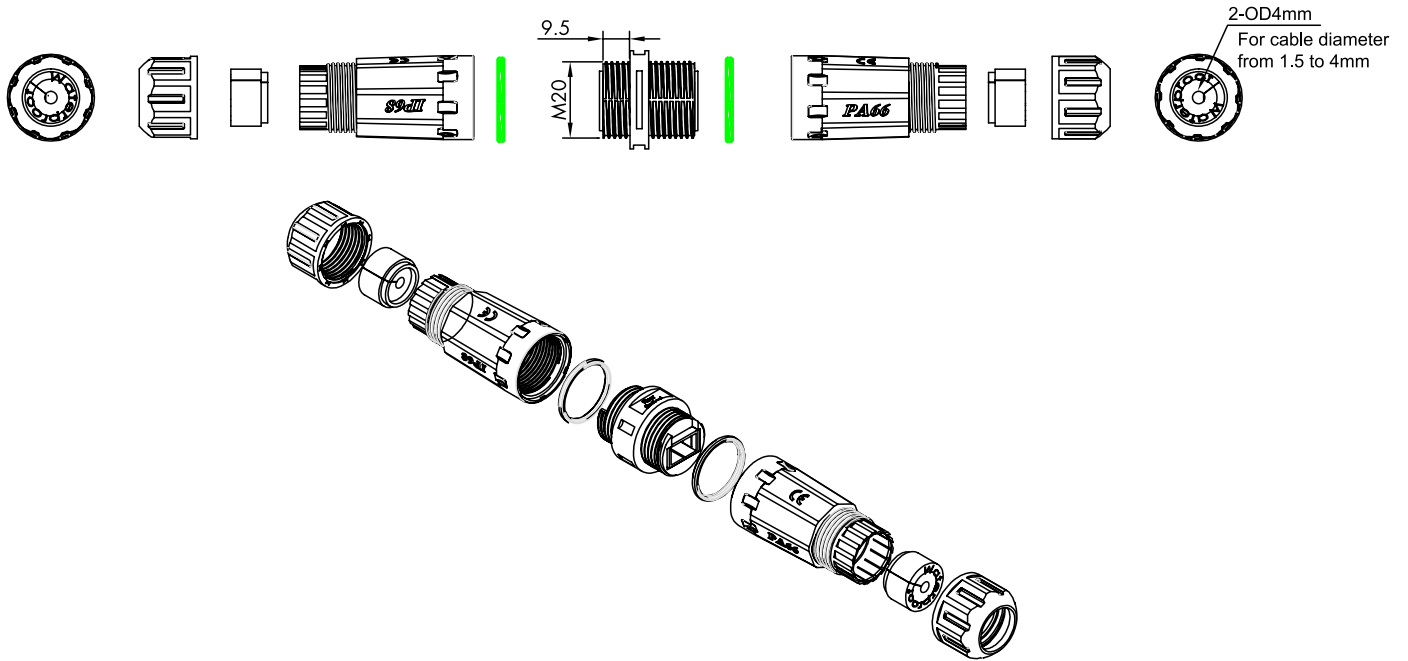
FA05SX1



FA05SX2



## FA05SX3



### Packaging Information

Art. no.	Packing Dimension	Packing Weight	Carton Dimension	Carton Q'ty	Carton Weight
FA05SX1	80 x 100 mm	0.0149 kg	mm	pcs	kg
FA05SX2	100 x 190 mm	0.029 kg	mm	pcs	kg
FA05SX3	100 x 190 mm	0.0378 kg	mm	pcs	kg