



CAT.6A S/FTP PIMF Patch Cable

Technical Features

Cat.7 600 MHz 10 Gigabit raw cable

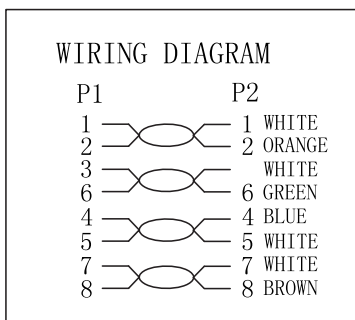
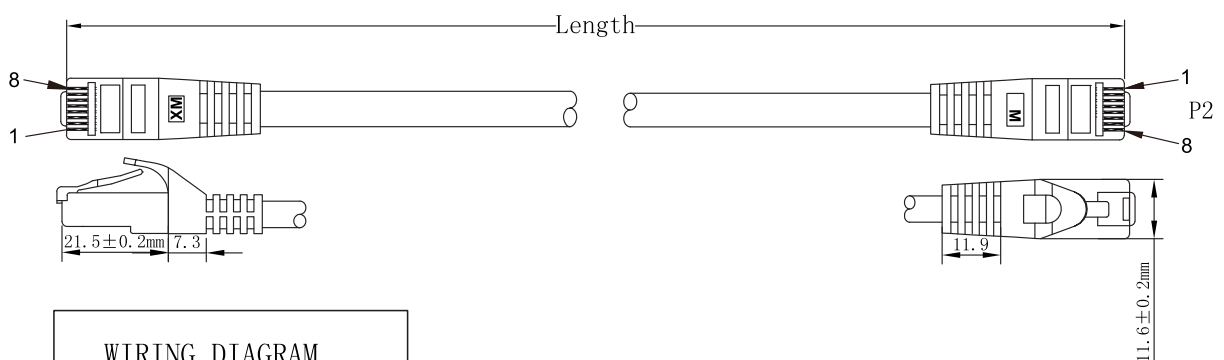
S/FTP AWG 26/7 Cu, pairs in metal foil

Cat.6A RJ45 Plug, gold plated

LSZH Halogen free jacket

ISO/IEC11801, EN50173-1, TIA/EIA568B-2.1

Technical Drawings



www.logilink.de



RoHS
compliant



Made in China

* The specifications and pictures are subject to change without notice.
*All trade names referenced are the registered trademark of their respective owners.

Length	White	EAN Code
0.25 m	CQ4011S	4052792032109
0.50 m	CQ4021S	4052792032123
1.00 m	CQ4031S	4052792032130
1.50 m	CQ4041S	4052792033175
2.00 m	CQ4051S	4052792032154
3.00 m	CQ4061S	4052792032161
5.00 m	CQ4071S	4052792032178
7.50 m	CQ4081S	4052792032185
10.00 m	CQ4091S	4052792032192
15.00 m	CQ4101S	4052792032208
20.00 m	CQ4111S	4052792032215
30.00 m	CQ4121S	4052792032222
50.00 m	CQ4141S	4052792032239



Length	Grey	EAN Code	Black	EAN Code
0.25 m	CQ4012S	4052792032246	CQ4013S	4052792032376
0.50 m	CQ4022S	4052792032253	CQ4023S	4052792032383
1.00 m	CQ4032S	4052792032260	CQ4033S	4052792032390
1.50 m	CQ4042S	4052792033182	CQ4043S	4052792033212
2.00 m	CQ4052S	4052792032284	CQ4053S	4052792032413
3.00 m	CQ4062S	4052792032291	CQ4063S	4052792032420
5.00 m	CQ4072S	4052792032307	CQ4073S	4052792032437
7.50 m	CQ4082S	4052792032314	CQ4083S	4052792032444
10.00 m	CQ4092S	4052792032321	CQ4093S	4052792032451
15.00 m	CQ4102S	4052792033205	CQ4103S	4052792033229
20.00 m	CQ4112S	4052792032345	CQ4113S	4052792033236
30.00 m			CQ4123S	4052792044942
50.00 m			CQ4143S	4052792044959

Length	Orange	EAN Code	Purple	EAN Code
0.25 m	CQ4018S	4052792032550	CQ4019S	4052792032468
0.50 m	CQ4028S	4052792032567	CQ4029S	4052792032475
1.00 m	CQ4038S	4052792032574	CQ4039S	4052792032482
1.50 m	CQ4048S	4052792033243	CQ4049S	4052792033298
2.00 m	CQ4058S	4052792032598	CQ4059S	4052792032505
3.00 m	CQ4068S	4052792032604	CQ4069S	4052792032512
5.00 m	CQ4078S	4052792032611	CQ4079S	4052792032529
7.50 m	CQ4088S	4052792032628	CQ4089S	4052792032536
10.00 m	CQ4098S	4052792032635	CQ4099S	4052792032543
15.00 m	CQ4108S	4052792033250	CQ4109S	4052792033274
20.00 m	CQ4118S	4052792033267	CQ4119S	4052792033281

Package Contents

CAT.6A S/FTP PIMF Patch Cable x 1

Packaging Informations

Packing Dimension	120 x 160mm (0.25-0.5m)/140 x 180mm (1-1.5m)/160 x 200mm (2-3m)/180 x 230mm (5-7.5m)/200 x 240mm (10-15m)/220 x 260mm (20m)
Packing Weight	0.02kg (0.25m)/0.03kg (0.5m)/0.05kg (1m)/0.07kg (1.5m)/0.08kg (2m)/0.11kg (3m)/0.18kg (5m)/0.28kg (7.5m)/0.35kg (10m)/0.52kg (15m)/0.68kg (20m)
Carton Dimension	360 x 360 x 300mm (7.5m)/400 x 300 x 200mm (20m)/400 x 300 x 220mm (0.25m,15m)/450 x 300 x 230mm (1.5m)/450 x 300 x 250mm (1m,2m,3m)/450 x 300 x 270mm (5m,10m)/450 x 300 x 290mm (0.5m)
Carton Q'ty	260pcs (0.25m)/300pcs (0.5m)/180pcs (1m)/120pcs (1.5m)/100pcs (2m)/80pcs (3m)/50pcs (5m)/40pcs (7.5m)/30pcs (10m)/15pcs (15m)/10pcs (20m)
Carton Weight	5.7kg (0.25m)/9.2 (0.5m)/8.6kg (1m)/8kg (1.5m)/8.4kg (2m)/9.1kg (3m)/9.5kg (5m)/11kg (7.5m)/10.8kg (10m)/8.1kg (15m)/7.3kg (20m)

www.logilink.de



RoHS
compliant



Made in China

* The specifications and pictures are subject to change without notice.
*All trade names referenced are the registered trademark of their respective owners.