



Keystone Coupler USB3.1 Type-C

Part no.: NK0032

Technical Features

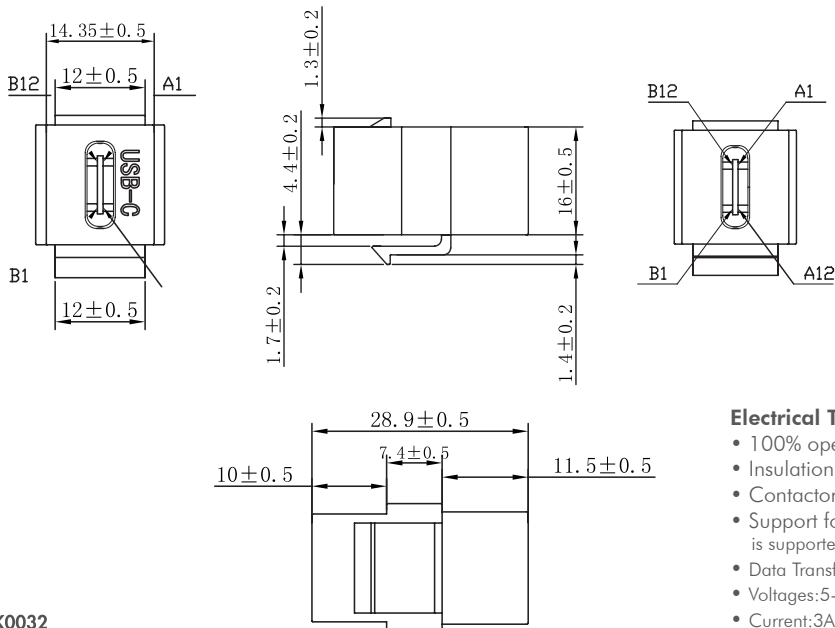
USB3.1 Gen 2 Type C female to female adapter

Suitable for standard keystone panels and outlets

Nickel-plated contact, thermoplastic housing

Color: Black

Technical Drawings



PIN OUT

A1 A12 B1 B12	—	A1 A12 B1 B12
A4 A9 B4 B9	—	A4 A9 B4 B9
A5	—	A5
B5	—	B5
A6 B6	—	A6 B6
A7 B7	—	A7 B7
A2	—	B11
A3	—	B10
B11	—	A2
B10	—	A3
B2	—	A11
B3	—	A10
A11	—	B2
A10	—	B3
A8	—	B8
B8	—	A8

Electrical Test:

- 100% open short & miss wire test
- Insulation resistance: DC 300V 10MΩ Min
- Contactor resistance: 3Ω Max
- Support for data and video transmission (only TYPE C single-sided output is supported)
- Data Transfer: 10Gbps
- Voltages: 5-20V
- Current: 3A
- Support: 3840 x 2160@60Hz

NK0032



4 052792 054163

Made in China

www.logilink.com



RoHS
compliant

*The specifications and pictures are subject to change without prior notice.
*All trade names referenced are the registered trademarks of their respective owners.

Package Contents

Keystone Coupler USB3.1 Type-C x 1

Packaging Informations

Packing Dimension	100 x 70mm
Packing Weight	0.007kg
Carton Dimension	280 x 265 x 220mm
Carton Q'ty	250pcs
Carton Weight	2.2kg



NK0032



4 052792 054163

Made in China

www.logilink.com



RoHS
compliant

*The specifications and pictures are subject to change without prior notice.
*All trade names referenced are the registered trademarks of their respective owners.