

LogiLink®



Gigabit PoE+ Splitter

Art. No.: POE005

The POE005 PoE splitter is a cost effective and easy install solution for end devices such as wireless access points, IP cameras and VoIP phones that don't natively support PoE, but rather require DC power input of 5V, 9V or 12V. It receives PoE power on a network cable from a PoE switch or injector, and splits signals into the separate Ethernet and DC power sources. One cable provides the DC power, and the other cable provides the Ethernet signal. Users can select from 5VDC, 9VDC and 12VDC power for their device by a selectable switch on the device.

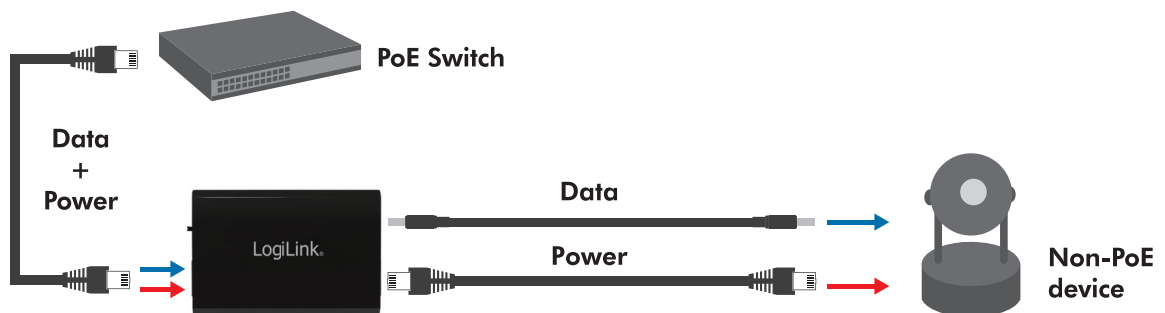
The PoE splitter is typically located near the end device. It has two 10/100/1000 RJ-45 ports. One port is for PoE IN, which is network connected to a remote PoE switch or injector. The other port is for LAN OUT to provide the Ethernet signal to the end device. The POE005 also has a DC 2.1 to Micro-USB adapter included for connecting 5V powered router and Raspberry PI.

Features:

- » Easily to install a non-PoE device to where a power outlet is not available
- » Supports IEEE802.3at Gigabit port
- » Splits a Gigabit PoE signal into individual power and data sources
- » Set the output power to either 5V, 9V, or 12V
- » Use this compact device with Logilink PoE switches or injectors



Connection - PoE Switch:



*The specifications and pictures are subject to change without prior notice.
*All trade names referenced are the registered trademarks of their respective owners.

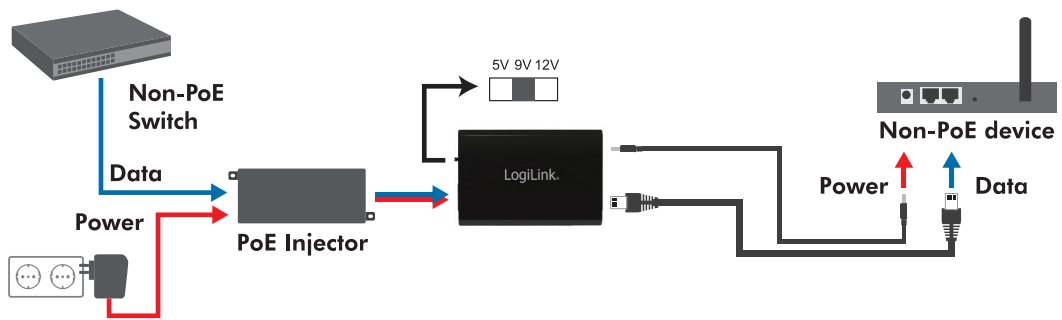
Made in China



Gigabit PoE+ Splitter

Art. No.: POE005

Connection - PoE Injector:



Specification:

PoE Standards	IEEE 802.3at, IEEE 802.3ab, IEEE 802.3u, IEEE 802.3
Ports	1 x 10/100/1000M RJ45 PoE port (data + power in) 1 x 10/100/1000M RJ45 PoE port (data only) 1 x DC jack (DC out)
Network Media	10Mbps: Cat.3/4/5 Unshielded cable 100Mbps: Cat.5/5e Unshielded cable 1000Mbps: Cat.5e/6 Unshielded cable
Input Power Requirements	DC input voltage: 36Vac to 57Vac
Power Output	Adjustable 5.0V DC, 2.0A (10.0W) 9.0V DC, 2.0A (18.0W) 12.0V DC, 2.0A (24.0W max)
LED Indicators	PoE ready/PoE in use
Connectors	Shielded RJ45, TIA 568A and 568B
Operating Temperature	0~40°C
Operating Humidity	90% non-condensing
Dimensions	80 (L) x 55 (W) x 23 (H) mm
Weight	80g

Best Connectivity



*The specifications and pictures are subject to change without prior notice.
*All trade names referenced are the registered trademarks of their respective owners.

LogiLink®

Gigabit PoE+ Splitter

Art. No.: POE005



Package Contents:

- » 1 x Gigabit PoE Splitter
- » 1 x RJ45 Ethernet Cable
- » 1 x 3.5mm Power Jack Converter
- » 1 x DC2.1 to Micro-USB Adapter
- » 1 x User Manual

Package Information:

- » Packing Dimension: 133 x 90 x 35mm
- » Packing Weight: 0.165kg
- » Carton Dimension: 557 x 382 x 200mm
- » Carton Q'ty: 80pcs
- » Carton Weight: 13.5kg



POE005

v.2



Made in China



RoHS
compliant



*The specifications and pictures are subject to change without prior notice.
*All trade names referenced are the registered trademarks of their respective owners.