

FEATURES AND SPECIFICATIONS

These assemblies are the same as 4455A, B and C versions, except these have higher pressure cat ear contacts on the Bronze terminals.

Reference Information

Product Specification: PS-10-07
 Packaging: Tray
 UL File No.: E29179
 CSA File No.: LR19980
 Mates With: 4030, 4094, 70021 and 70475
 Designed In: Inches

Electrical

Voltage: 250V
 Current: 2.5A
 Contact Resistance: 20mΩ max.
 Dielectric Withstanding Voltage: 1500V
 Insulation Resistance: 500K MΩ min.

Mechanical

Contact Retention to Housing: 27.21g min.
 Mating Force: 199g max.
 Unmating Force: 57g min.
 Normal Force: 300g
 Durability: 25 cycles

Physical

Housing: Nylon, UL 94V-0
 Contact: Phosphor Bronze
 Plating: Hot Tin/Lead dip—1μm min.
 Operating Temperature: 0 to +75°C



2.54mm (.100") Pitch
KK®

PC Board Connector

4455

With Cat Ear Terminals

2.54mm (.100") Pitch

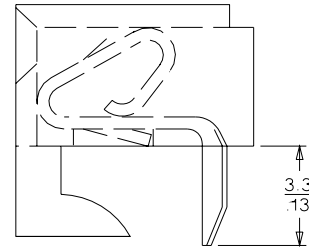
ORDERING INFORMATION

| Circuits | Order No. |
|----------|------------|
| 2 | 38-00-1332 |
| 3 | 38-00-1333 |
| 4 | 38-00-1334 |
| 5 | 38-00-1335 |
| 6 | 38-00-1336 |
| 7 | 38-00-1337 |
| 8 | 38-00-1338 |
| 9 | 38-00-1339 |
| 10 | 38-00-1340 |
| 11 | 38-00-1341 |
| 12 | 38-00-1342 |
| 13 | 38-00-1343 |

| Circuits | Order No. |
|----------|------------|
| 14 | 38-00-1344 |
| 15 | 38-00-1345 |
| 16 | 38-00-1346 |
| 17 | 38-00-1347 |
| 18 | 38-00-1348 |
| 19 | 38-00-1349 |
| 20 | 38-00-1350 |
| 21 | 38-00-1351 |
| 22 | 38-00-1352 |
| 23 | 38-00-1353 |
| 24 | 38-00-1354 |
| 25 | 38-00-1355 |

Preferred Version in Europe and the Far East

Right Angle



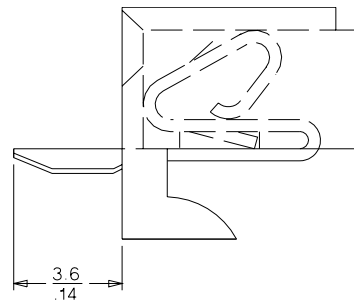
ORDERING INFORMATION

| Circuits | Order No. |
|----------|------------|
| 2 | 38-00-1392 |
| 3 | 38-00-1393 |
| 4 | 38-00-1394 |
| 5 | 38-00-1395 |
| 6 | 38-00-1396 |
| 7 | 38-00-1397 |
| 8 | 38-00-1398 |
| 9 | 38-00-1399 |
| 10 | 38-00-1400 |
| 11 | 38-00-1401 |
| 12 | 38-00-1402 |
| 13 | 38-00-1403 |

| Circuits | Order No. |
|----------|------------|
| 14 | 38-00-1404 |
| 15 | 38-00-1405 |
| 16 | 38-00-1406 |
| 17 | 38-00-1407 |
| 18 | 38-00-1408 |
| 19 | 38-00-1409 |
| 20 | 38-00-1410 |
| 21 | 38-00-1411 |
| 22 | 38-00-1412 |
| 23 | 38-00-1413 |
| 24 | 38-00-1414 |
| 25 | 38-00-1415 |

Preferred Version in Europe and the Far East

Bottom Entry



ORDERING INFORMATION

| Circuits | Order No. |
|----------|------------|
| 2 | 38-00-1422 |
| 3 | 38-00-1423 |
| 4 | 38-00-1424 |
| 5 | 38-00-1425 |
| 6 | 38-00-1426 |
| 7 | 38-00-1427 |
| 8 | 38-00-1428 |
| 9 | 38-00-1429 |
| 10 | 38-00-1430 |
| 11 | 38-00-1431 |
| 12 | 38-00-1432 |
| 13 | 38-00-1433 |

| Circuits | Order No. |
|----------|------------|
| 14 | 38-00-1434 |
| 15 | 38-00-1435 |
| 16 | 38-00-1436 |
| 17 | 38-00-1437 |
| 18 | 38-00-1438 |
| 19 | 38-00-1439 |
| 20 | 38-00-1440 |
| 21 | 38-00-1441 |
| 22 | 38-00-1442 |
| 23 | 38-00-1443 |
| 24 | 38-00-1444 |
| 25 | 38-00-1445 |

Preferred Version in Europe and the Far East

Top Entry

