

Amphenol

MS/Standard MIL-C-5015 Style Connectors

ADS-5015-02



Amphenol Daeshin

[Table of Contents](#)

Amphenol

[About us](#)

Table of Contents

Amphenol MIL-C-5015 Connectors

[Solution to](#)

[Basic Construction](#)

[Ordering Information](#)

MS/DS Series

A class	MS3100A	B class	MS3101B	E / F class	MS3100E/MS3100F	R class	MS3100R
	MS3101A		MS3106B		MS3101E/MS3101F		MS3101R (Receptacle with no mounting flange)
	MS3102A		MS3108B		MS3102E		MS3102R
	MS3106A				MS3106E/MS3106F		MS3106R
	MS3108A				MS3108E		MS3108R

[DL series, Pre-earth type](#)

DL3102A	DL3106A	DL3108A
-------------------------	-------------------------	-------------------------

Customized Products

AJ Series	AJ Series Dimension	ADG Series	ADG Series Dimension
---------------------------	-------------------------------------	----------------------------	--------------------------------------

[Accessories](#)

MS25042, MS25043	MS3057, MS3420	DL3057, DL3420	BMA 31
----------------------------------	--------------------------------	--------------------------------	------------------------

[Insert Arrangement & Alternate Positioning \(Contact Arrangement :10S-2~22-20\)](#)

[Insert Arrangement & Alternate Positioning \(Contact Arrangement :22-21~36-52\)](#)

[Contact Arrangement\(1CONTACT~3CONTACT\)](#)

[Contact Arrangement\(4CONTACT~6CONTACT\)](#)

[Contact Arrangement\(7CONTACT~9CONTACT\)](#)

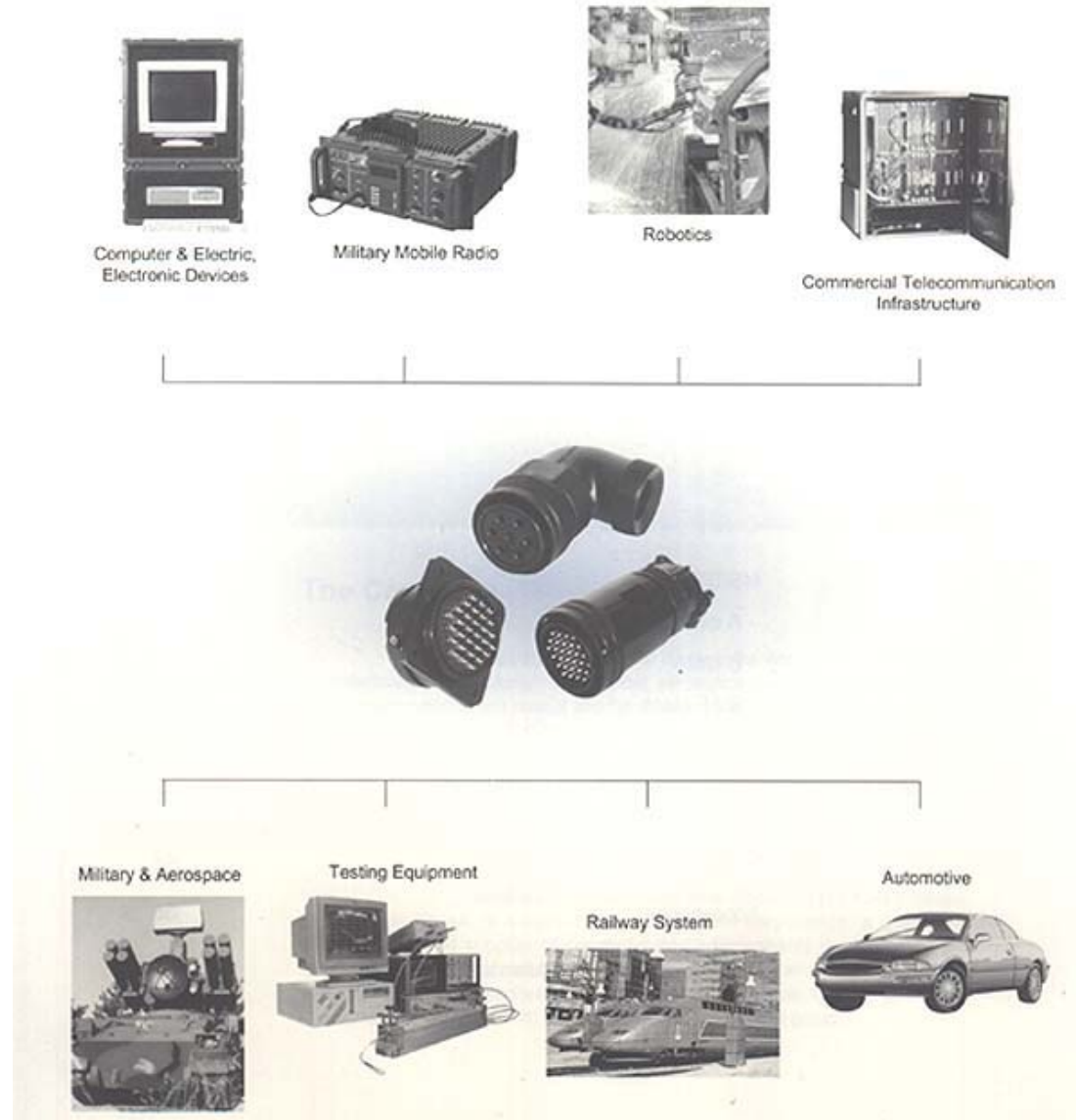
[Contact Arrangement\(10CONTACT~20CONTACT\)](#)

[Contact Arrangement\(22CONTACT~52CONTACT\)](#)



Amphenol MIL-C-5015 connectors

Solution to



Amphenol MIL-C-5015 Connectors

Basic Construction

Amphenol MIL-C-5015 connectors meet the latest performance requirements of MIL-C-5015. These connectors represent well-proven electrical capability at an acceptable cost for most equipment where durability is important. MIL-C-5015 features threaded coupling & single key & keyway polarization representing maximum simplicity in design. Applications include industrial machines, military ground support equipment, ordnance & shipboard installation. Amphenol MIL-C-5015 connectors are available in classes A, B, E/F, R, and also offers a range of pre-earth connectors. Therefore, you will always find the right connector in Amphenol, with us, for conditions & performance requirements you may have.

Specification

Materials & Finish

	Materials	Finish
Shell	Aluminum alloy	Olive drab chromate coating over Zinc plating
Contact	Brass or copper alloy	Silver plate
Insulator	Plastic or Resilient Synthetic Rubber	-

Characteristics

Insulation resistance	5,000Mega ohms minimum (at 25° C)
Temperature range	-55° C to 125° C

Durability

500 Cycle connection/disconnection

Dielectric with standing voltage				Contact engagement and separation forces			
Service rating	Test voltage AC(rms)	Operating voltage		Contact mating end size	Minimum separation force (ounce)	Maximum average engagement force (ounce)	Maximum engagement force (ounce)
		AC	DC				
Inst.	1,000	200	250	#16	2	24	30
A	2,000	500	700	#12	3	24	30
D	2,800	900	1,250	#8	5	-	160
E	3,500	1,250	1,750	#4	10	-	240
B	4,500	1,750	2,450	#0	15	-	320
C	7,000	3,000	4,200				

Contact size			Rated current (Mated with insulators)	Contact resistance		Wire range accommodations		
Size	Pin Contact diam.	Solder pot diam.		Test current DC A	Potential drop(MAX) mV	A.W.G	Wire normal square size (mm ²)	Dielectric material outer diam.
#16	1.6	1.9	13A	13A	49	#20~#16	≤1.3	1.7~3.3
#12	2.4	3.0	23A	23A	42	#14~#12	≤ 3.5	2.9~4.3
#8	3.6	5.4	46A	46A	26	#10~#8	≤ 8.0	4.2~6.4
#4	5.7	8.4	80A	80A	23	#6~#4	≤ 22.0	7.0~9.4

#0	9.1	12.2	150A	150A	21	#2~#0	≤ 50.0	10.6~14.0
----	-----	------	------	------	----	-------	--------	-----------



Amphenol MIL-C-5015 Connectors

Ordering Information

Connector Series	Shell / Class	
MS	3100	A
Series Designation	Shell Style	Service Class
MS – Amphenol MIL-C-5015 STANDARD DS – Amphenol MIL-C-5015 Europe use DL – Amphenol MIL-C-5015Pre-earth mating function	3100 – Wall Mounting Receptacle 3101 – Cable Connecting Receptacle 3102 – Box Mounting Receptacle 3106 – Straight Plug 3108 – Right Angle Plug	A – General purpose, Solid Endbell B – General purpose, Split Endbell E – Environmental resisting with grommet seal & strain relief backshell F – Environmental resisting with grommet seal & strain relief backshell 3106F and 3018E style include a front ‘O’ ring seal R – Environmental resisting with grommet seal, light weight and shorter overall length 3106R style include a front ‘O’ ring seal

Insert Arrangement / Contact Type				Deviations	
18	1	S	W	XXX	
Shell Size	Insert Arrangement	Contact Type	Alternate Positioning	Deviation I, Plating	Deviation II
10SL,12S,12,14S 14,16S,16,18,20, 22,24,28,32,36	See Page 41-42	P – Pin (+), male S – Socket (-), female	No suffix-Nomal W,X,Y,Z – See Page 41- 42	No suffix – Olive Drab Zinc CD – Cadimium 621 – Black Zinc 689 – Electro-less Nickel 426 – Electro-less Nickel & Gold Flash Contact Others – Consult Amphenol	No Suffix – Standard K – Japan Use, Plastic Insert KR – Japan Use, Rubber Insert

Accessories

Series	Type	Size
MS Series Designation	25042 Type	10 Size
MS – Amphenol MIL-C-5015 STANDARD DS – Amphenol MIL-C-5015 Europe use	25042 – Protection Cap, 3106, 3108 Shell Style Plug 25043 – Protection Cap, 3100, 3101, 3102 Shell Style Receptacle 3057 – Cable Clamp 3420 – Telescoping Bushing BMA31 – Gasket	See Page 37-40
DL – Amphenol MIL-C-5015 Pre-earth mating function	3057 – Cable Clamp 3420 – Telescoping Bushing BMA31 – Gasket	

Typical Mating Guide



[PREV](#) [HOME](#) [NEXT](#)

Amphenol MIL-C-5015 connectors

MS/DS Series

'A' class



Wall Mounting Receptacle



Cable Connecting Receptacle

MS-A class connectors perform many of the virtual functions in powering, testing and ground support system. Class A applications include communications equipment, computers and shipboard installation where mechanical forces and physical parameters are not subject to extreme or rapid environmental changes.

Shells:

Shell components are fabricated from high grade aluminum alloy. Electrically conductive Zinc plate finish with an olive drab chromate after treatment offers corrosion resistance.

Contacts:

Pins and sockets are machined from copper alloy with silver plated finish.

Size 16 and 12 socket contacts incorporate a closed entry design.

Inserts:

Inserts are resilient synthetic rubber, offering high dielectric strength, high arc resistance arc resistance to vibration.

Proprietary design permits pressurization of either pin or socket insert.



Box Mounting Receptacle



Straight Plug



Right Angle Plug

[PREV](#) [HOME](#) [NEXT](#)

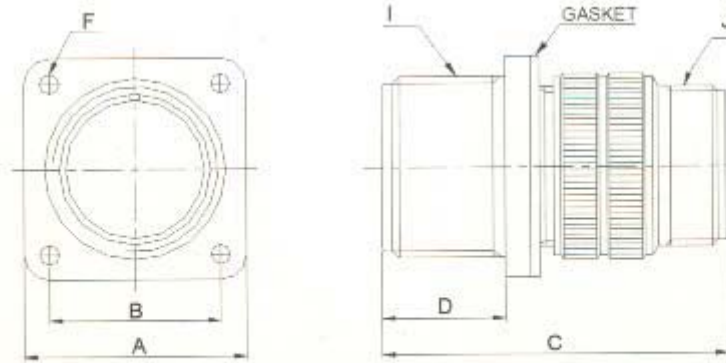
Amphenol MIL-C-5015 connectors

'A' class Dimension

Wall Mounting Receptacle

Solid Endbell

MS3100A



MS3100A wall mounting receptacles are used with the MS3057 cable clamp or with conduit to eliminate need for the conduit box in applications where wires are carried thru walls or bulkheads.

(mm)

Shell Size	f A ± 0.79	f B ±0.12	C Max	D +0.79 -0.00	ØF +0.25 -0.12	I Thread-2A	J Thread-2A
10SL	25.40	18.26	38.88	14.28	3.05	5/8-24 UNEF	5/8-24 UNEF
12S	27.79	20.62	42.87	14.28	3.05	3/4-20 UNEF	5/8-24 UNEF
12	27.79	20.62	52.37	19.05	3.05	3/4-20 UNEF	5/8-24 UNEF
14S	30.18	23.01	42.87	14.28	3.05	7/8-20 UNEF	3/4-20 UNEF
14	30.18	23.01	52.37	19.05	3.05	7/8-20 UNEF	3/4-20 UNEF
16S	32.54	24.61	42.87	14.28	3.05	1-20 UNEF	7/8-20 UNEF
16	32.54	24.61	52.37	19.05	3.05	1-20 UNEF	7/8-20 UNEF

18	34.93	26.97	52.37	19.05	3.05	1 1/8-18 UNEF	1-20 UNEF
20	38.10	29.36	55.57	19.05	3.05	1 1/4-18 UNEF	1 3/16-18 UNEF
22	41.28	31.75	55.57	19.05	3.05	1 3/8-18 UNEF	1 3/16-18 UNEF
24	44.45	34.93	58.72	20.63	3.73	1 1/2-18 UNEF	1 7/16-18 UNEF
28	50.80	39.67	58.72	20.63	3.73	1 3/4-18 UNEF	1 7/16-18 UNEF
32	57.15	44.45	61.92	22.23	4.39	2-18 UNS	1 3/4-18 UNS
36	63.50	49.23	61.92	22.23	4.39	2 1/4-16 UN	2-18 UNS



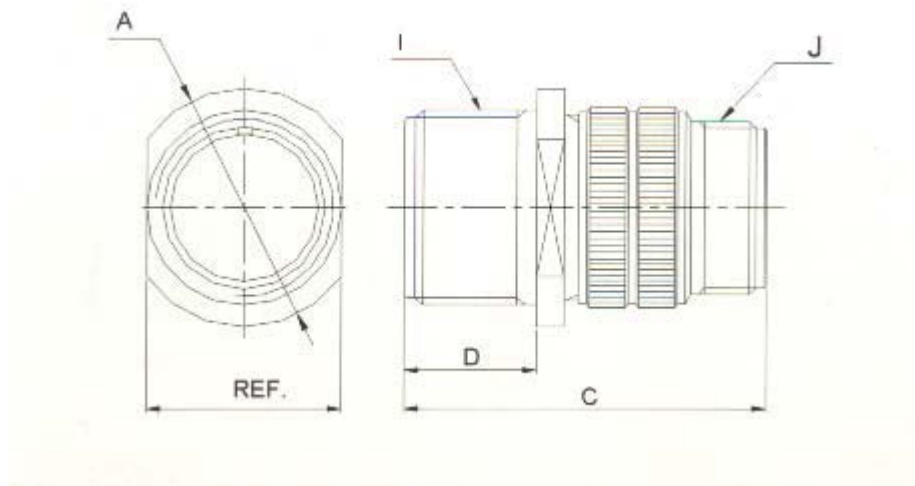
Amphenol MIL-C-5015 connectors

'A' class Dimension

Cable Connecting Receptacle

Solid Endbell

MS3101A



MS3101A solid endbell cable connecting receptacles are used for cable extension requirements where mounting provisions are unnecessary. (mm)

Shell Size	ØA Max	C Max	D +0.79 -0.00	I Thread-2A	J Thread-2A
10SL	24.61	38.88	14.28	5/8-24 UNEF	5/8-24 UNEF
12S	26.97	42.87	14.28	3/4-20 UNEF	5/8-24 UNEF
12	26.97	52.37	19.05	3/4-20 UNEF	5/8-24 UNEF
14S	29.36	42.87	14.28	7/8-20 UNEF	3/4-20 UNEF
14	29.36	52.37	19.05	7/8-20 UNEF	3/4-20 UNEF
16S	31.75	42.87	14.28	1-20 UNEF	7/8-20 UNEF
16	31.75	52.37	19.05	1-20 UNEF	7/8-20 UNEF
18	34.13	52.37	19.05	1 1/8-18 UNEF	1-20 UNEF
20	37.31	55.57	19.05	1 1/4-18 UNEF	1 3/16-18 UNEF

22	40.48	55.57	19.05	1 3/8-18 UNEF	1 3/16-18 UNEF
24	43.66	58.72	20.63	1 1/2-18 UNEF	1 7/16-18 UNEF
28	50.01	58.72	20.63	1 3/4-18 UNEF	1 7/16-18 UNEF
32	56.36	61.92	22.23	2-18 UNS	1 3/4-18 UNS
36	62.71	61.92	22.23	2 1/4-16 UN	2-18 UNS

 [PREV](#)

 [HOME](#)

 [NEXT](#)

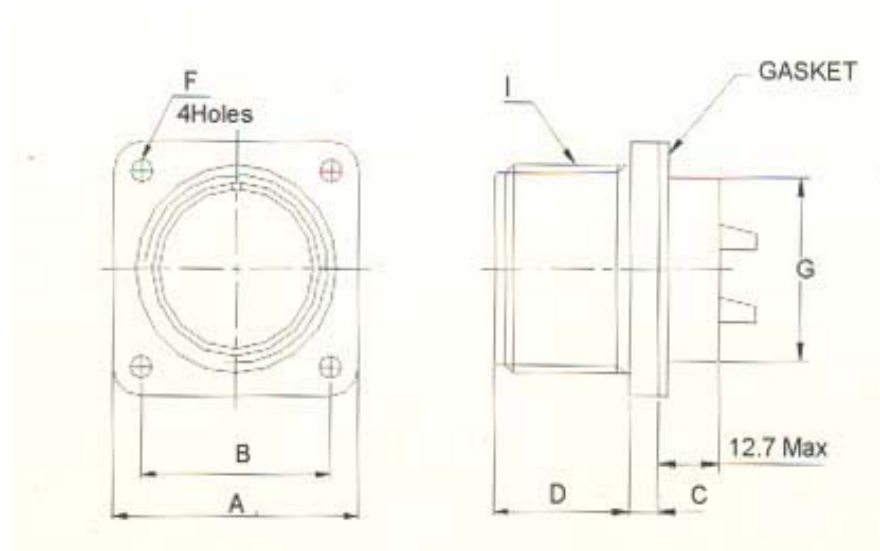
Amphenol MIL-C-5015 connectors

'A' class Dimension

Box Mounting Receptacle

(Available with Plastic or Rubber insulators)

MS3102A



MS3102A box mounting receptacles are used on boxes and equipment cases where no cable support is required.

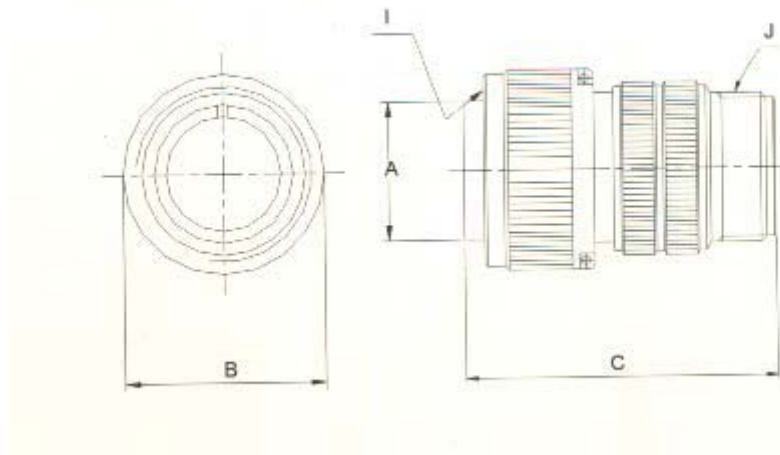
(mm)

Shell Size	f A ± 0.79	f B ±0.12	C ± 0.3	D +0.79 -0.00	ØF +0.25 -0.12	ØG Max	I Thread-2A
10SL	25.40	18.26	3.0	14.28	3.05	16.0	5/8-24 UNEF
12S	27.79	20.62	3.0	14.28	3.05	16.5	3/4-20 UNEF
12	27.79	20.62	3.0	19.05	3.05	16.5	3/4-20 UNEF
14S	30.18	23.01	3.0	14.28	3.05	20.0	7/8-20 UNEF
14	30.18	23.01	3.0	19.05	3.05	20.0	7/8-20 UNEF
16S	32.54	24.61	3.0	14.28	3.05	23.0	1-20 UNEF
16	32.54	24.61	3.0	19.05	3.05	23.0	1-20 UNEF
18	34.93	26.97	4.0	19.05	3.05	26.0	1 1/8-18 UNEF
20	38.10	29.36	4.0	19.05	3.05	29.0	1 1/4-18 UNEF
22	41.28	31.75	4.0	19.05	3.05	32.5	1 3/8-18 UNEF
24	44.45	34.93	4.0	20.63	3.73	35.5	1 1/2-18 UNEF
28	50.80	39.67	4.0	20.63	3.73	42.0	1 3/4-18 UNEF
32	57.15	44.45	4.0	20.63	4.39	48.0	2-18 UNS
36	63.50	49.23	4.0	20.63	4.39	54.5	2 1/4-16 UN

Amphenol MIL-C-5015 connectors

'A' class Dimension

Straight Plug
 Solid Endbell
MS3106A



MS3106A straight plugs are used with 3100,3101 and 3102 receptacles.

(mm)

Shell Size	ØA +0.00 -0.38	ØB Max	C Max	I Thread-2B	J Thread-2A
10SL	25.40	18.26	38.88	5/8-24 UNEF	5/8-24 UNEF
12S	27.79	20.62	42.87	3/4-20 UNEF	5/8-24 UNEF
12	27.79	20.62	52.37	3/4-20 UNEF	5/8-24 UNEF

14S	30.18	23.01	42.87	7/8-20 UNEF	3/4-20 UNEF
14	30.18	23.01	52.37	7/8-20 UNEF	3/4-20 UNEF
16S	32.54	24.61	42.87	1-20 UNEF	7/8-20 UNEF
16	32.54	24.61	52.37	1-20 UNEF	7/8-20 UNEF
18	34.93	26.97	52.37	1 1/8-18 UNEF	1-20 UNEF
20	38.10	29.36	55.57	1 1/4-18 UNEF	1 3/16-18 UNEF
22	41.28	31.75	55.57	1 3/8-18 UNEF	1 3/16-18 UNEF
24	44.45	34.93	58.72	1 1/2-18 UNEF	1 7/16-18 UNEF
28	50.80	39.67	58.72	1 3/4-18 UNEF	1 7/16-18 UNEF
32	57.15	44.45	61.92	2-18 UNS	1 3/4-18 UNS
36	63.50	49.23	61.92	2 1/4-16 UN	2-18 UNS



[PREV](#) [HOME](#) [NEXT](#)

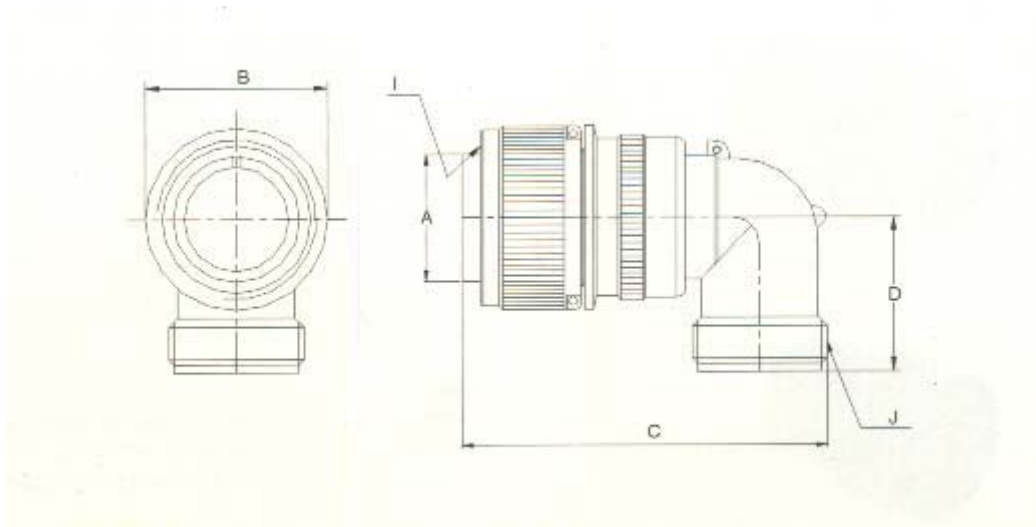
Amphenol MIL-C-5015 connectors

'A' class Dimension

Right Angle Plug

Solid Endbell

MS3108A



MS3108A Right Angle plugs, have a solid endbell and are used where wire must be brought at an abrupt angle. Either the split or solid endbells on the 3108 are capable of being rotated and locked.

(mm)

Shell Size	ØA +0.00 -0.38	ØB Max	C Max	D Max	I Thread-2B	J Thread-2A
10SL	11.33	24.61	46.02	25.4	5/8-24 UNEF	5/8-24 UNEF
12S*	14.10	26.97	50.80	26.9	3/4-20 UNEF	5/8-24 UNEF
12	14.10	26.97	57.15	26.9	3/4-20 UNEF	5/8-24 UNEF
14S	17.15	29.36	53.97	28.5	7/8-20 UNEF	3/4-20 UNEF
14	17.15	29.36	58.72	28.5	7/8-20 UNEF	3/4-20 UNEF
16S	20.45	31.75	60.32	30.1	1-20 UNEF	7/8-20 UNEF
16	20.45	31.75	65.07	30.1	1-20 UNEF	7/8-20 UNEF

18	23.62	34.13	68.27	33.3	1 1/8-18 UNEF	1-20 UNEF
20	26.67	37.71	76.98	34.9	1 1/4-18 UNEF	1 3/16-18 UNEF
22	29.85	40.48	76.98	34.9	1 3/8-18 UNEF	1 3/16-18 UNEF
24	33.02	43.66	86.51	39.6	1 1/2-18 UNEF	1 7/16-18 UNEF
28	38.61	50.01	86.51	39.6	1 3/4-18 UNEF	1 7/16-18 UNEF
32	44.96	56.36	95.25	47.6	2-18 UNS	1 3/4-18 UNS
36	50.29	62.71	100.02	52.3	2 1/4-16 UN	2-18 UNS

*No Tooling



[Amphenol MIL-C-5015 connectors](#)

[MS/DS Series](#)

['B' class](#)



Cable Connecting Receptacle



Straight Plug

MS-B class connector is a general duty standard cylindrical connector. It is a widely used for the automotive, machine tool & welding industries, as well as numerous other commercial applications, where mechanical forces and physical parameters are not subject to extreme or rapid environmental changes. UL, approved

Shells:

Shell components are split endbell and fabricated from high grade aluminum alloy. Electrically conductive Zinc plate finish with an olive drab chromate after-treat offers corrosion resistance.

Contacts:

Pins and sockets are machined from copper alloy with silver plated finish. Size 16 and 12 socket contacts incorporate a closed entry design.

Inserts:

Inserts are plastic, offering high dielectric strength, high arc resistance arc resistance to vibration. Proprietary design permits pressurization of either pin or socket.



Right Angle Plug

 [PREV](#)

 [HOME](#)

 [NEXT](#)

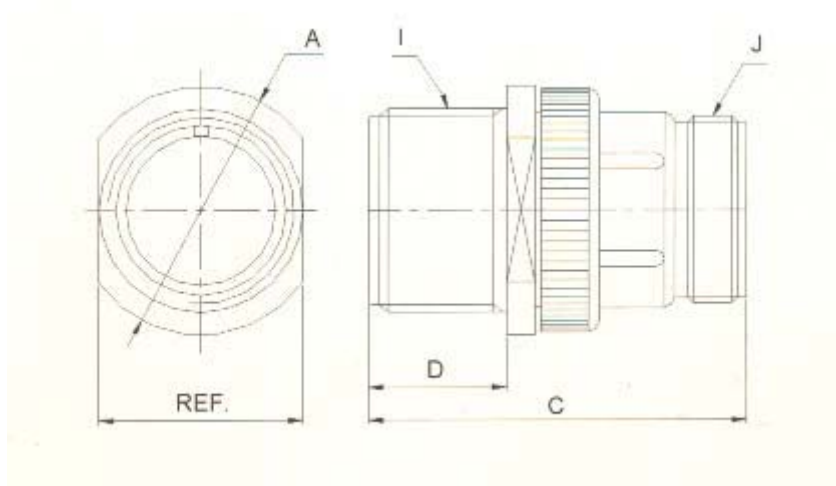
Amphenol MIL-C-5015 connectors

'B' class Dimension

[Cable Connecting Receptacle](#)

[Split Endbell](#)

[MS3101B](#)



MS3101B split endbell cable connecting receptacles are used for cable extension requirements where mounting provisions are unnecessary.

(mm)

Shell Size	ØA Max	C Max	D +0.79 -0.00	I Thread-2A	J Thread-2A
10SL	24.61	38.88	14.28	5/8-24 UNEF	5/8-24 UNEF
12S*	26.97	42.87	14.28	3/4-20 UNEF	5/8-24 UNEF
12*	26.97	52.37	19.05	3/4-20 UNEF	5/8-24 UNEF
14S	29.36	42.87	14.28	7/8-20 UNEF	3/4-20 UNEF
14	29.36	52.37	19.05	7/8-20 UNEF	3/4-20 UNEF
16S	31.75	42.87	14.28	1-20 UNEF	7/8-20 UNEF
16	31.75	52.37	19.05	1-20 UNEF	7/8-20 UNEF

18	34.13	52.37	19.05	1 1/8-18 UNEF	1-20 UNEF
20	37.31	55.57	19.05	1 1/4-18 UNEF	1 3/16-18 UNEF
22	40.48	55.57	19.05	1 3/8-18 UNEF	1 3/16-18 UNEF
24	43.66	58.72	20.63	1 1/2-18 UNEF	1 7/16-18 UNEF
28	50.01	58.72	20.63	1 3/4-18 UNEF	1 7/16-18 UNEF
32	56.36	61.92	22.23	2-18 UNS	1 3/4-18 UNS
36	62.71	61.92	22.23	2 1/4-16 UN	2-18 UNS

*No Tooling



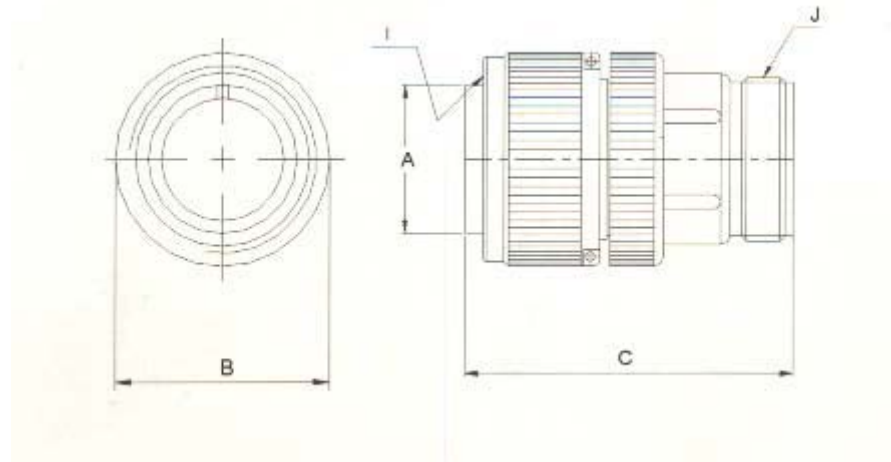
Amphenol MIL-C-5015 connectors

'B' class Dimension

Straight Plug

Split Endbel

MS3106B



MS3106B straight plugs with split endbell are used with 3100,3101 and 3102 receptacles.

(mm)

Shell Size	$\varnothing A$ +0.00 -0.38	$\varnothing B$ Max	C Max	I Thread-2B	J Thread-2A
10SL	11.33	24.61	38.88	5/8-24 UNEF	5/8-24 UNEF
12S*	14.10	26.97	42.87	3/4-20 UNEF	5/8-24 UNEF
12*	14.10	26.97	52.37	3/4-20 UNEF	5/8-24 UNEF
14S	17.15	29.36	42.87	7/8-20 UNEF	3/4-20 UNEF
14	17.15	29.36	52.37	7/8-20 UNEF	3/4-20 UNEF
16S	20.45	31.75	42.87	1-20 UNEF	7/8-20 UNEF
16	20.45	31.75	52.37	1-20 UNEF	7/8-20 UNEF
18	23.62	34.13	52.37	1 1/8-18 UNEF	1-20 UNEF
20	26.67	37.31	55.57	1 1/4-18 UNEF	1 3/16-18 UNEF

22	29.85	40.48	55.57	1 3/8-18 UNEF	1 3/16-18 UNEF
24	33.02	43.66	58.72	1 1/2-18 UNEF	1 7/16-18 UNEF
28	38.61	50.01	58.72	1 3/4-18 UNEF	1 7/16-18 UNEF
32	44.96	56.36	61.92	2-18 UNS	1 3/4-18 UNS
36	50.29	62.71	61.92	2 1/4-16 UN	2-18 UNS

*No Tooling



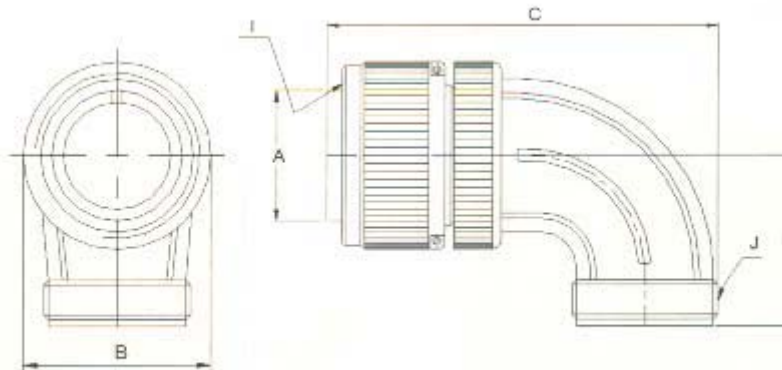
Amphenol MIL-C-5015 connectors

'B' class Dimension

Right Angle Plug

Split Endbel

MS3108B



MS3108B Right angle plugs, have a split endbell and are used where wires must be brought at an abrupt angle.

Either the split or solid endbells on the 3108 are capable of being rotated and

locked.

(mm)

Shell Size	ØA +0.00 -0.38	ØB Max	C Max	D Max	I Thread-2B	J Thread-2A
10SL	11.33	24.61	46.02	25.4	5/8-24 UNEF	5/8-24 UNEF
12S*	14.10	26.97	50.80	26.9	3/4-20 UNEF	5/8-24 UNEF
12*	14.10	26.97	57.15	26.9	3/4-20 UNEF	5/8-24 UNEF
14S	17.15	29.36	53.97	28.5	7/8-20 UNEF	3/4-20 UNEF
14	17.15	29.36	58.72	28.5	7/8-20 UNEF	3/4-20 UNEF
16S*	20.45	31.75	60.32	30.1	1-20 UNEF	7/8-20 UNEF
16*	20.45	31.75	65.07	30.1	1-20 UNEF	7/8-20 UNEF
18	23.62	34.13	68.27	33.3	1 1/8-18 UNEF	1-20 UNEF

20	26.67	37.31	76.98	34.9	1 1/4-18 UNEF	1 3/16-18 UNEF
22	29.85	40.48	76.98	34.9	1 3/8-18 UNEF	1 3/16-18 UNEF
24	33.02	43.66	86.51	39.6	1 1/2-18 UNEF	1 7/16-18 UNEF
28	38.61	50.01	86.51	39.6	1 3/4-18 UNEF	1 7/16-18 UNEF
32	44.96	56.36	95.25	47.6	2-18 UNS	1 3/4-18 UNS
36	50.29	62.71	100.02	52.3	2 1/4-16 UN	2-18 UNS

*No Tooling



Amphenol MIL-C-5015 connectors

MS/DS Series

'E/F' class



These MS connectors satisfy all the performance requirements of MIL-C-5015 and are recommended for conditions where vibration, moisture, pressure and/or temperature and extreme. Strain relief is supplied on most shell sizes.

Shells:

Shell components are fabricated from high grade aluminum alloy. The standard hardware plating is electrically conductive Zinc plated finish with an olive drab chromate after treatment for corrosion resistance. Consult Amphenol Daeshin for other plating options.

Contacts:



Cable Connecting Receptacle

Contacts are silver plated copper alloy for maximum corrosion resistance, maximum current carrying capacity and low millivolt drop. Size 16 and 12 socket contacts incorporate a closed entry design.

Inserts:

Inserts are resilient synthetic rubber, offering high dielectric strength, high arc resistance arc resistance to vibration. Proprietary design permits pressurization of either pin or socket insert.

Strain Relief Clamp:

Strain relief clamp minimizes tension at the solder well connection and provides a positive mechanical moisture seal. Complete field serviceability is possible with the strain relief clamp.



Box Mounting Receptacle



Straight Plug



Right Angle Plug

 [PREV](#)

 [HOME](#)

 [NEXT](#)

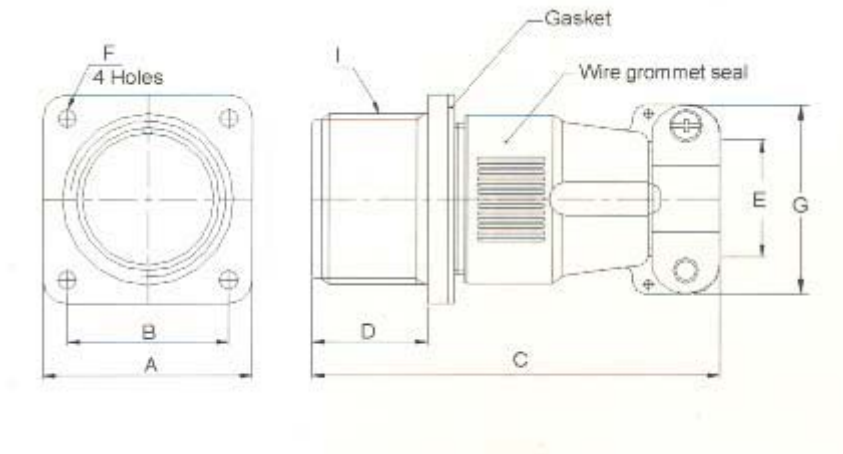
[Amphenol MIL-C-5015 connectors](#)

['E/F' class Dimension](#)

Wall Mounting Receptacle

Integral Cable Clamp

MS3100E/MS3100F



MS3100E/F wall mounting receptacles are used to carry wires thru walls or bulkheads, or to provide a means of disconnection at a bulkhead. MS 3100E/F receptacles mate with 3106 and 3108 plugs.

(mm)

Shell Size	± A ± 0.79	± B ±0.12	C Max	D +0.79 -0.00	ØE Max	ØF +0.25 -0.12	ØG Max	I Thread-2A
10SL	25.40	18.26	57.15	14.28	7.9	3.05	23.0	5/8-24 UNEF
12S	27.79	20.62	57.15	14.28	7.9	3.05	23.0	3/4-20 UNEF
12	27.79	20.62	66.67	19.05	7.9	3.05	23.0	3/4-20 UNEF
14S	30.18	23.01	57.15	14.28	11.2	3.05	26.0	7/8-20 UNEF

14	30.18	23.01	66.67	19.05	11.2	3.05	26.0	7/8-20 UNEF
16S	32.54	24.61	57.15	14.28	14.2	3.05	29.0	1-20 UNEF
16	32.54	24.61	66.67	19.05	14.2	3.05	29.0	1-20 UNEF
18	34.93	26.97	68.27	19.05	16.0	3.05	31.6	1 1/8-18 UNEF
20	38.10	29.36	69.85	19.05	19.1	3.05	37.5	1 1/4-18 UNEF
22	41.28	31.75	69.85	19.05	19.1	3.05	37.5	1 3/8-18 UNEF
24	44.45	34.93	75.41	20.63	23.8	3.73	43.0	1 1/2-18 UNEF
28	50.80	39.67	76.98	20.63	23.8	3.73	43.0	1 3/4-18 UNEF
32	57.15	44.45	76.98	22.23	32.0	4.39	52.0	2-18 UNS
36	63.50	49.23	83.33	22.23	35.0	4.39	58.0	2 1/4-16 UN



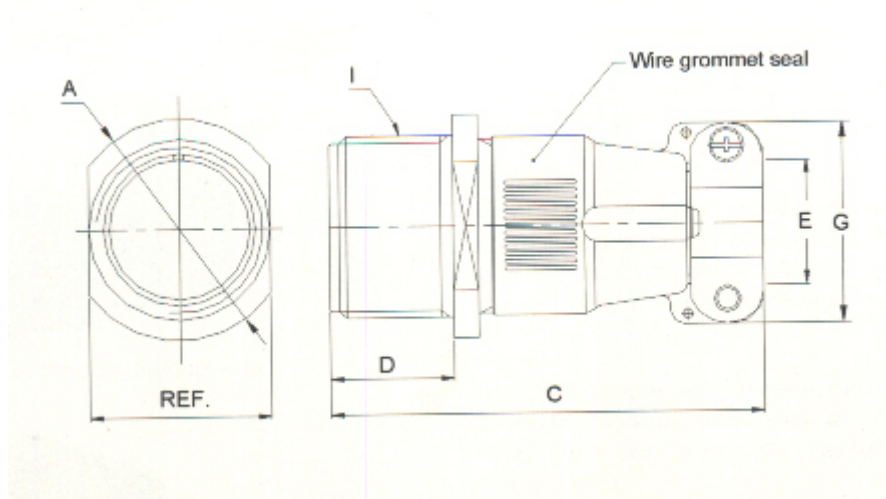
Amphenol MIL-C-5015 connectors

'E/F' class Dimension

Cable Connecting Receptacle

Integral Cable Clamp

MS3101E/MS3101F



MS3101E/F cable connecting receptacles are used for cable extension requirements, where mounting provisions are unnecessary. MS3101E/F receptacles mate with 3106 and 3108 plugs.

(mm)

Shell Size	A Max	C Max	D +0.79 -0.00	Ø E Max	Ø G Max	I Thread-2A
10SL	25.40	57.15	14.28	7.9	23.0	5/8-24 UNEF
12S	27.79	57.15	14.28	7.9	23.0	3/4-20 UNEF
12	27.79	66.67	19.05	7.9	23.0	3/4-20 UNEF
14S	30.18	57.15	14.28	11.2	26.0	7/8-20 UNEF
14	30.18	66.67	19.05	11.2	26.0	7/8-20 UNEF
16S	32.54	57.15	14.28	14.2	29.0	1-20 UNEF
16	32.54	66.67	19.05	14.2	29.0	1-20 UNEF

18	34.93	68.27	19.05	16.0	31.6	1 1/8-18 UNEF
20	38.10	69.85	19.05	19.1	37.5	1 1/4-18 UNEF
22	41.28	69.85	19.05	19.1	37.5	1 3/8-18 UNEF
24	44.45	75.41	20.63	23.8	43.0	1 1/2-18 UNEF
28	50.80	76.98	20.63	23.8	43.0	1 3/4-18 UNEF
32	57.15	76.98	22.23	32.0	52.0	2-18 UNS
36	63.50	83.33	22.23	35.0	58.0	2 1/4-16 UN

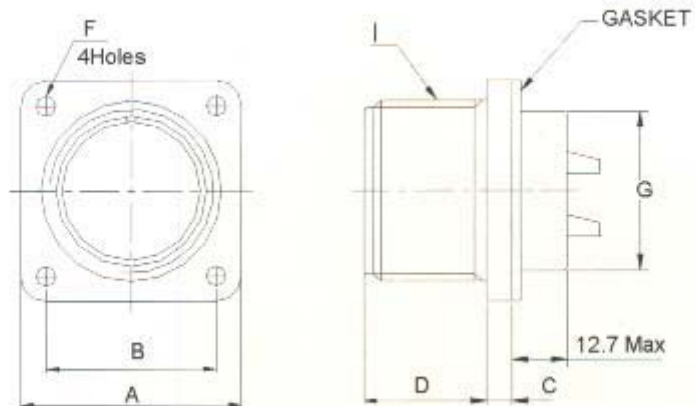
 [PREV](#)
 [HOME](#)
 [NEXT](#)

Amphenol MIL-C-5015 connectors

'E/F' class Dimension

Box Mounting Receptacle

MS3102E



MS3102E box mounting receptacles are used in junction boxes or as an integral part of equipment. These connectors are identical with 3102A in construction.

(mm)

Shell Size	$\pm A$ ± 0.79	$\pm B$ ± 0.12	C ± 0.3	D $+0.79$ -0.00	$\varnothing F$ $+0.25$ -0.12	$\varnothing G$ Max	I Thread-2A
10SL	25.40	18.26	3.0	14.28	3.05	16.0	5/8-24 UNEF
12S	27.79	20.62	3.0	14.28	3.05	16.5	3/4-20 UNEF
12	27.79	20.62	3.0	19.05	3.05	16.5	3/4-20 UNEF
14S	30.18	23.01	3.0	14.28	3.05	20.0	7/8-20 UNEF
14	30.18	23.01	3.0	19.05	3.05	20.0	7/8-20 UNEF

16S	32.54	24.61	3.0	14.28	3.05	23.0	1-20 UNEF
16	32.54	24.61	3.0	19.05	3.05	23.0	1-20 UNEF
18	34.93	26.97	4.0	19.05	3.05	26.0	1 1/8-18 UNEF
20	38.10	29.36	4.0	19.05	3.05	29.0	1 1/4-18 UNEF
22	41.28	31.75	4.0	19.05	3.05	32.5	1 3/8-18 UNEF
24	44.45	34.93	4.0	20.63	3.73	35.5	1 1/2-18 UNEF
28	50.80	39.67	4.0	20.63	3.73	42.0	1 3/4-18 UNEF
32	57.15	44.45	4.0	22.23	4.39	48.0	2-18 UNS
36	63.50	49.23	4.0	22.23	4.39	54.5	2 1/4-16 UN



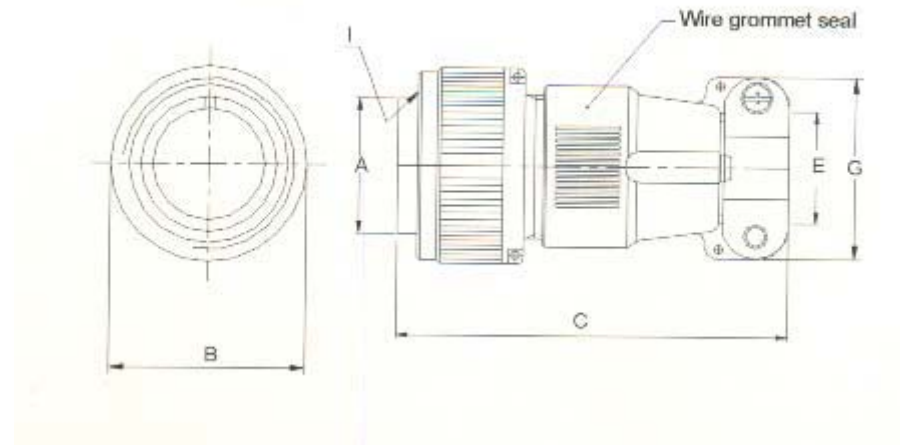
Amphenol MIL-C-5015 connectors

'E/F' class Dimension

Straight Plug

Integral Cable Clamp

MS3106E/MS3106F



MS3106E/F straight plugs mate with 3100,3101 and 3102 receptacles

(mm)

Shell Size	A +0.00 -0.38	B MAX	C Max	Ø E Max	Ø G Max	I Thread-2B
10SL	11.33	24.61	57.15	7.9	23.0	5/8-24 UNEF
12S	14.10	26.97	57.15	7.9	23.0	3/4-20 UNEF
12	14.10	26.97	66.67	7.9	23.0	3/4-20 UNEF
14S	17.15	29.36	57.15	11.2	26.0	7/8-20 UNEF
14	17.15	29.36	66.67	11.2	26.0	7/8-20 UNEF
16S	20.45	31.75	57.15	14.2	29.0	1-20 UNEF
16	20.45	31.75	66.67	14.2	29.0	1-20 UNEF

18	23.62	34.13	68.27	16.0	31.6	1 1/8-18 UNEF
20	26.67	37.31	69.85	19.1	37.5	1 1/4-18 UNEF
22	29.85	40.48	69.85	19.1	37.5	1 3/8-18 UNEF
24	33.02	43.66	75.41	23.8	43.0	1 1/2-18 UNEF
28	38.61	50.01	76.98	23.8	43.0	1 3/4-18 UNEF
32	44.96	56.36	76.98	32.0	52.0	2-18 UNS
36	50.29	62.71	83.33	35.0	58.0	2 1/4-16 UN

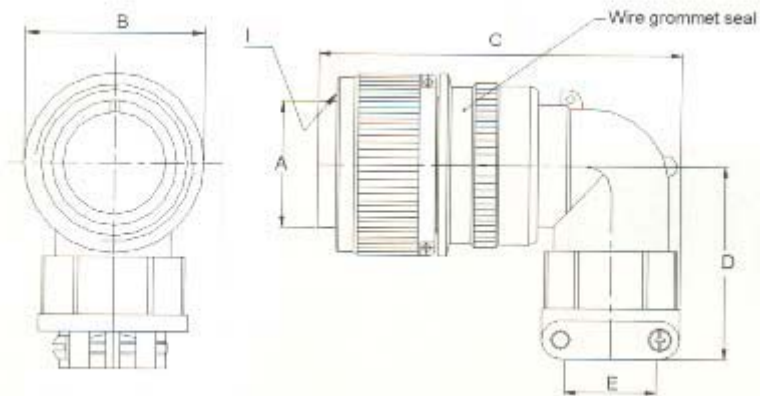


Amphenol MIL-C-5015 connectors

'E/F' class Dimension

Right Angle Plug

MS3108E



MS3108E Right angle plugs are used where there is limited space and where wires must be brought at abrupt angles. This plug mate with 3100,3101 and 3102 receptacles.

(mm)

Shell Size	A +0.00 -0.38	B MAX	C Max	D Max	Ø E Max	I Thread-2B
10SL	11.33	24.61	55.57	38.1	7.9	5/8-24 UNEF
12S*	14.10	26.97	55.57	38.1	7.9	3/4-20 UNEF
12*	14.10	26.97	64.28	38.1	7.9	3/4-20 UNEF
14S	17.15	29.36	58.72	40.4	11.2	7/8-20 UNEF
14	17.15	29.36	68.27	40.4	11.2	7/8-20 UNEF
16S	20.45	31.75	61.11	42.8	14.2	1-20 UNEF
16	20.45	31.75	70.63	42.8	14.2	1-20 UNEF

18	23.62	34.13	72.23	45.2	16.0	1 1/8-18 UNEF
20	26.67	37.31	82.55	50.0	19.1	1 1/4-18 UNEF
22	29.85	40.48	82.55	50.8	19.1	1 3/8-18 UNEF
24	33.02	43.66	94.46	53.9	23.8	1 1/2-18 UNEF
28	38.61	50.01	94.46	55.5	23.8	1 3/4-18 UNEF
32	44.96	56.36	106.37	65.8	32.0	2-18 UNS
36	50.29	62.71	109.14	69.0	35.0	2 1/4-16 UN

*No Tooling



[Amphenol MIL-C-5015 connectors](#)

[MS/DS Series](#)

['R' class](#)



Wall Mounting Receptacle



Cable Connecting Receptacle

Specification requirements for greater reliability in a shorter, lighter weight environmental resistant connector led to the design of the MS-R.

This low profile assembly was attained by moving the axial compression nut and grommet assembly forward and flash with the rear of the insert. The silicon rubber grommet, with its low coefficient of friction, assures easier threading of wire bundles and quicker assembly and serviceability of the unit. Molded webs in each wire hole insure a moisture barrier around each wire.

The addition 'O'ring at the main joint of all MS3106R plugs provide a main joint seal supplementary to the interfacial seal, thus insuring of higher degree of reliability when connector halves from different sources are employed. MS-R types are recommended for new design applications.

Shells:

Shell component are fabricated from high grade aluminum alloy. All components have the standard electrically conductive zinc plated finish with an olive drab chromate after treatment for corrosion resistance. Consult Amphenol Daeshin for other plating options.

Contacts:

Contacts are machined from copper alloy for maximum current carrying capacity and low



Box Mounting Receptacle

millivolt drop.

Inserts:

Resilient synthetic rubber insert provide an outstanding moisture barrier, maximum vibration resistance and high dielectric strength. Either pin or socket insert can be pressurized.



Straight Plug



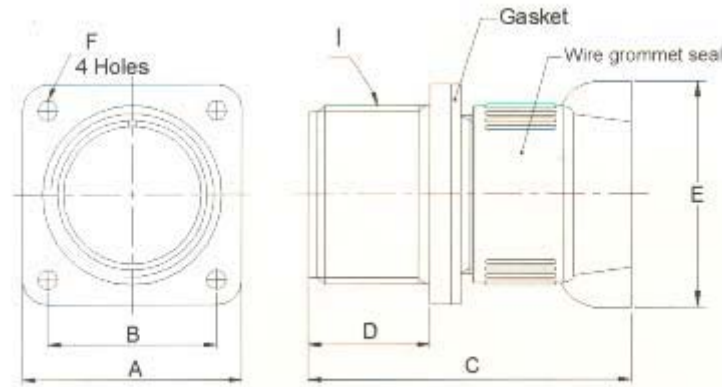
[← PREV](#) [↑ HOME](#) [NEXT →](#)

Amphenol MIL-C-5015 connectors

'R' class Dimension

Wall Mounting Receptacle

MS3100R



MS3100R receptacles are identical in purpose to the MS3100F.
 The MS3100R features a shorter lightweight endbell.

(mm)

Shell Size	±A ± 0.79	±B ±0.12	C Max	D +0.79 -0.00	ØE Max	ØF +0.25 -0.12	I Thread-2A
10SL	25.40	18.26	46.68	14.28	24.0	3.05	5/8-24 UNEF
12S	27.79	20.62	46.68	14.28	24.0	3.05	3/4-20 UNEF
12	27.79	20.62	55.39	19.05	24.0	3.05	3/4-20 UNEF
14S	30.18	23.01	46.68	14.28	27.6	3.05	7/8-20 UNEF
14	30.18	23.01	66.67	19.05	11.2	3.05	7/8-20 UNEF
16S	32.54	24.61	46.68	14.28	31.2	3.05	1-20 UNEF
16	32.54	24.61	55.39	19.05	31.2	3.05	1-20 UNEF
18	34.93	26.97	57.93	19.05	36.2	3.05	1 1/8-18 UNEF

20	38.10	29.36	57.93	19.05	39.8	3.05	1 1/4-18 UNEF
22	41.28	31.75	57.93	19.05	39.8	3.05	1 3/8-18 UNEF
24	44.45	34.93	57.93	20.63	46.0	3.73	1 1/2-18 UNEF
28	50.80	39.67	57.93	20.63	46.0	3.73	1 3/4-18 UNEF
32	57.15	44.45	57.93	22.23	53.5	4.39	2-18 UNS
36	63.50	49.23	58.97	22.23	60.0	4.39	2 1/4-16 UN



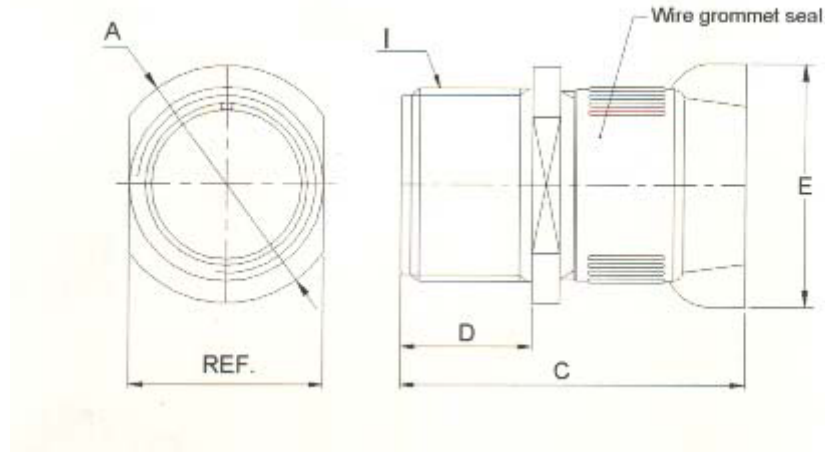
Amphenol MIL-C-5015 connectors

'R' class Dimension

Cable Connecting Receptacle

MS3101R

(Receptacle with no mounting flange)



MS3101R cable connecting receptacles are identical in purpose to the MS3101E.

The MS3101R features a shorter lightweight endbell.

(mm)

Shell Size	A MAX	C Max	D +0.79 -0.00	Ø E Max	I Thread-2A
10SL	24.61	46.68	14.28	24.0	5/8-24 UNEF
12S	26.97	46.68	14.28	24.0	3/4-20 UNEF
12	26.97	55.39	19.05	24.0	3/4-20 UNEF
14S	29.36	46.68	14.28	27.6	7/8-20 UNEF
14	29.36	55.39	19.05	27.6	7/8-20 UNEF
16S	31.75	46.68	14.28	31.2	1-20 UNEF
16	31.75	55.39	19.05	31.2	1-20 UNEF
18	34.13	57.93	19.05	36.2	1 1/8-18 UNEF

20	37.31	57.93	19.05	39.8	1 1/4-18 UNEF
22	40.48	57.93	19.05	39.8	1 3/8-18 UNEF
24	43.66	57.93	20.63	46.0	1 1/2-18 UNEF
28	50.01	57.93	20.63	46.0	1 3/4-18 UNEF
32	56.36	57.93	22.23	53.5	2-18 UNS
36	62.71	58.97	22.23	60.0	2 1/4-16 UN

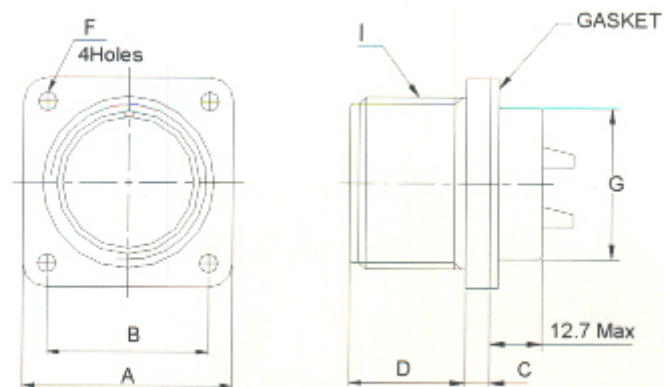


Amphenol MIL-C-5015 connectors

'R' class Dimension

Box Mounting Receptacle

MS3102R



MS3102R box mounting receptacles are used in junction boxes or as an integral part of equipment. These connectors are identical with 3102A in construction.

(mm)

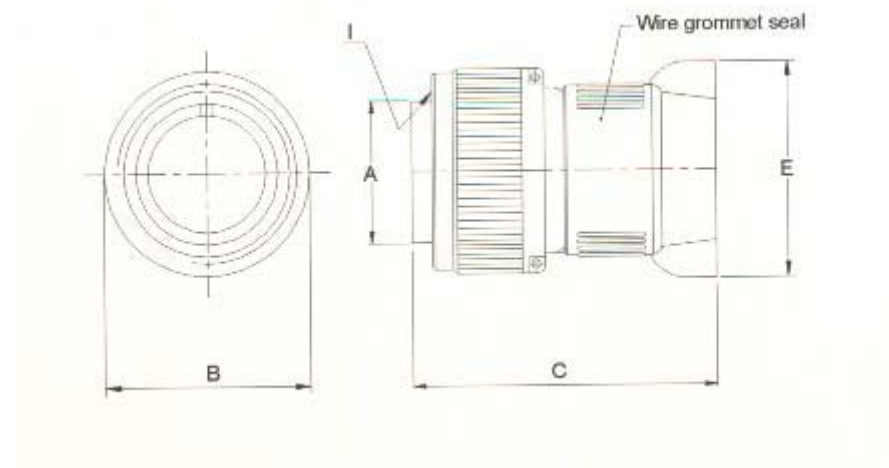
Shell Size	± A ± 0.79	± B ±0.12	C ± 0.3	D +0.79 -0.00	Ø F +0.25 -0.12	ØG Max	I Thread-2A
10SL	25.40	18.26	3.0	14.28	3.05	16.0	5/8-24 UNEF
12S	27.79	20.62	3.0	14.28	3.05	16.5	3/4-20 UNEF
12	27.79	20.62	3.0	19.05	3.05	16.5	3/4-20 UNEF
14S	30.18	23.01	3.0	14.28	3.05	20.0	7/8-20 UNEF
14	30.18	23.01	3.0	19.05	3.05	20.0	7/8-20 UNEF
16S	32.54	24.61	3.0	14.28	3.05	23.0	1-20 UNEF
16	32.54	24.61	3.0	19.05	3.05	23.0	1-20 UNEF
18	34.93	26.97	4.0	19.05	3.05	26.0	1 1/8-18 UNEF
20	38.10	29.36	4.0	19.05	3.05	29.0	1 1/4-18 UNEF
22	41.28	31.75	4.0	19.05	3.05	32.0	1 3/8-18 UNEF
24	44.45	34.93	4.0	20.63	3.73	35.5	1 1/2-18 UNEF
28	50.80	39.67	4.0	20.63	3.73	42.0	1 3/4-18 UNEF
32	57.15	44.45	4.0	22.23	4.39	48.0	2-18 UNS
36	63.50	49.23	4.0	22.23	4.39	55.0	2 1/4-16 UN

Amphenol MIL-C-5015 connectors

'R' class Dimension

Straight Plug

MS3106R



MS3106R straight plugs are identical in purpose to the MS3106F.

The MS3106R has the shorter endbell.

(mm)

Shell Size	A +0.00 -0.38	B MAX	C Max	Ø E Max	I Thread-2B
10SL	11.33	24.61	46.68	24.0	5/8-24 UNEF

12S	14.10	26.97	46.68	24.0	3/4-20 UNEF
12	14.10	26.97	55.39	24.0	3/4-20 UNEF
14S	17.15	29.36	46.68	27.6	7/8-20 UNEF
14	17.15	29.36	55.39	27.6	7/8-20 UNEF
16S	20.45	31.75	46.68	31.2	1-20 UNEF
16	20.45	31.75	55.39	31.2	1-20 UNEF
18	23.62	34.13	57.93	36.2	1 1/8-18 UNEF
20	26.67	37.31	57.93	39.8	1 1/4-18 UNEF
22	29.85	40.48	57.93	39.8	1 3/8-18 UNEF
24	33.02	43.66	57.93	46.0	1 1/2-18 UNEF
28	38.61	50.01	57.93	46.0	1 3/4-18 UNEF
32	44.96	56.36	57.93	53.5	2-18 UNS
36	50.29	62.71	58.97	60.0	2 1/4-16 UN

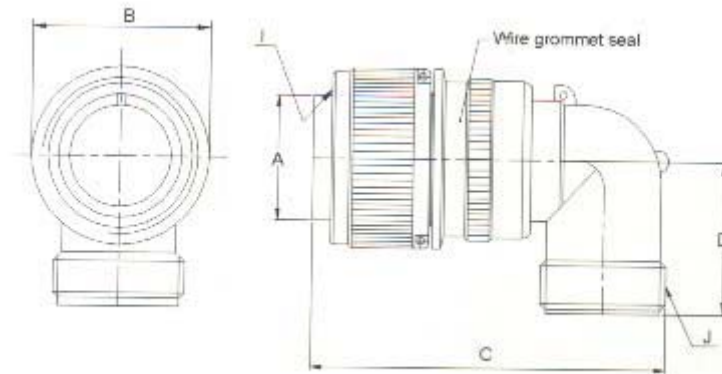

[PREV](#) [HOME](#) [NEXT](#)

Amphenol MIL-C-5015 connectors

'R' class Dimension

Right Angle Plug

MS3108R



MS3108R Right angle plugs are used where there is limited space and where wires must be brought at abrupt angles.

(mm)

Shell Size	ØA +0.00 -0.38	ØB +0.00 -0.38	C Max	D Max	I Thread-2B	J Thread-2A
10SL	11.33	24.61	46.02	25.4	5/8-24 UNEF	5/8-24 UNEF
12S*	14.10	26.97	50.80	26.9	3/4-20 UNEF	5/8-24 UNEF
12*	14.10	26.97	57.15	26.9	3/4-20 UNEF	5/8-24 UNEF
14S	17.15	29.36	53.97	28.5	7/8-20 UNEF	3/4-20 UNEF
14	17.15	29.36	58.72	28.5	7/8-20 UNEF	3/4-20 UNEF
16S	20.45	31.75	60.32	30.1	1-20 UNEF	7/8-20 UNEF
16	20.45	31.75	65.07	30.1	1-20 UNEF	7/8-20 UNEF
18	23.62	34.13	68.27	33.3	1 1/8-18 UNEF	1-20 UNEF

20	26.67	37.31	76.98	34.9	1 1/4-18 UNEF	1 3/16-18 UNEF
22	29.85	40.48	76.98	34.9	1 3/8-18 UNEF	1 3/16-18 UNEF
24	33.02	43.66	86.51	39.6	1 1/2-18 UNEF	1 7/16-18 UNEF
28	38.61	50.01	86.51	39.6	1 3/4-18 UNEF	1 7/16-18 UNEF
32	44.96	56.36	95.25	47.6	2-18 UNS	1 3/4-18 UNS
36	50.29	62.71	100.02	52.3	2 1/4-16 UN	2-18 UNS

*No Tooling



Amphenol MIL-C-5015 connectors

DL Series, Pre-earth type



DL Series are highly reliable circular connectors (wire soldering type) approved by TUV satisfying European safety standards and UL standards. They feature IP67 class water and dust proof, when mated and a protective earth circuit with first mate last break grounding contacts. They are ideal for use in machine tools, servomotors, robots, and other industrial machines. Intermatable with MS connector.

Shells:

Shell components are fabricated from high grade aluminum alloy. Electrically conductive Zinc

Box Mounting Receptacle

plate finish with an black chromate after treatment offers corrosion resistance. Consult Amphenol Daeshin for other plating options.

Contacts:

Pins and sockets are machined from copper alloy with silver plated finish. Size 16 and 12 socket contacts incorporate a closed entry design.



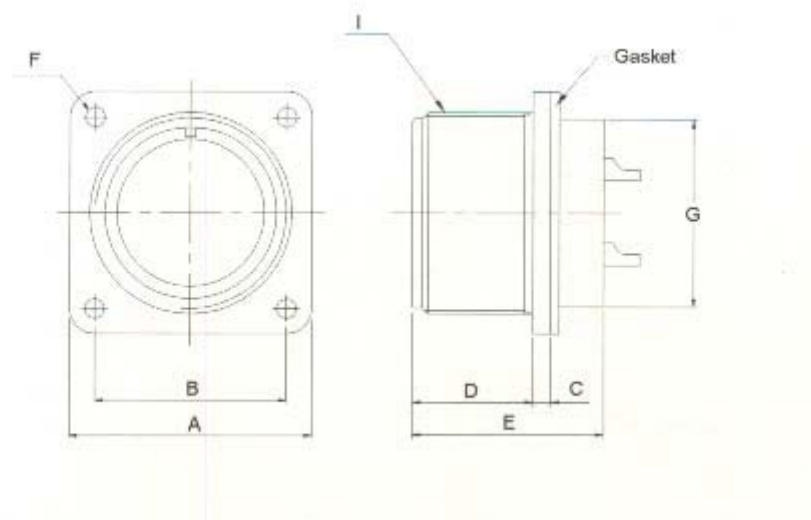
Straight Plug



Right Angle Plug

Amphenol MIL-C-5015 connectors
DL Series

Box Mounting Receptacle
DL3102A



DL3102A box mounting receptacles are used on boxes and equipment cases where no cable support is required.

(mm)

Contact Arrangement	Grounding Contact	□ A ±0.79	□ B ±0.12	C ±0.3	D +0.79	E ±0.2	ØF +0.25	ØG Max	I Thread-2A
------------------------	----------------------	--------------	--------------	-----------	------------	-----------	-------------	-----------	----------------

					-0.00		-0.12		
10SL-3	C	25.40	18.26	2.1	14.28	23.5	3.05	16.0	5/8-24 UNEF
18-10	D	34.93	26.97	2.7	19.05	29.8	3.05	27.0	1 1/8-18 UNEF
18-12	D	34.93	26.97	2.7	19.05	28.0	3.05	25.0	1 1/8-18 UNEF
20-15	D	38.10	29.36	2.7	19.05	30.0	3.05	30.0	1 1/4-18 UNEF
22-22	D	41.28	31.75	2.7	19.05	30.8	3.05	33.0	1 3/8-18 UNEF
24-10	D	44.45	34.93	2.7	20.63	32.4	3.73	36.0	1 1/2-18 UNEF
24-10(G)*	G	44.45	34.93	2.7	20.63	32.4	3.73	36.0	1 1/2-18 UNEF

*Attention : No grounding pin in DL3102A24-10P(G)

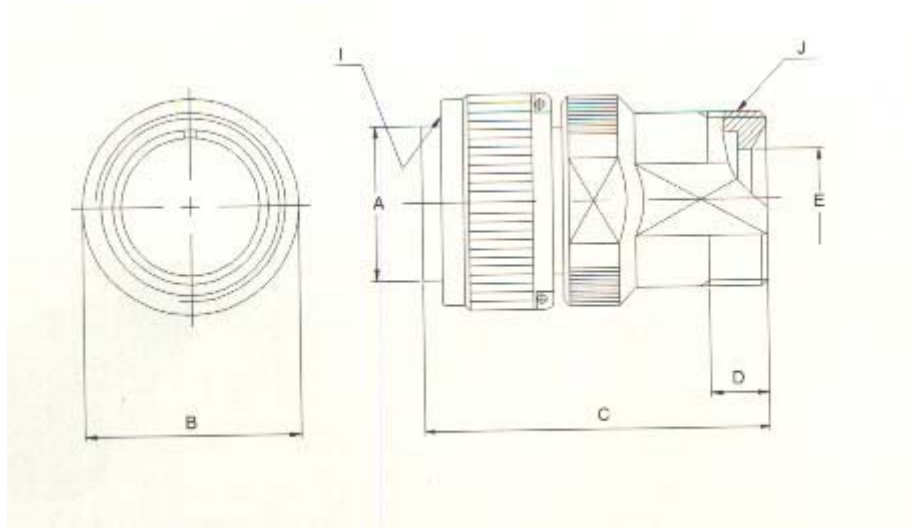


Amphenol MIL-C-5015 connectors

DL Series, Dimension

Straight Plug

DL3106A



DL3106A straight plugs are used with 3102 receptacles.

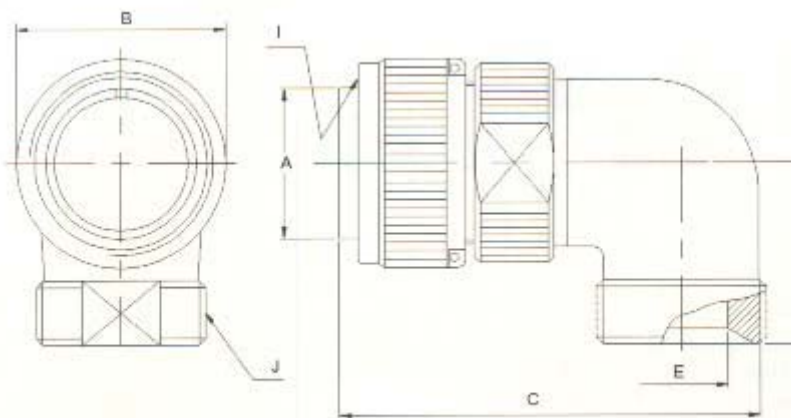
(mm)

Contact Arrangement	Grounding Contact	ØA +0.00 -0.38	ØB Max	C Max	D Min	E Max	I Thread-2B	J Thread-2A
10SL-3	C	11.33	24.61	44.2	10.0	6.8	5/8-24 UNEF	5/8-24 UNEF
18-10	D	23.62	34.13	58.3	11.5	15.0	1 1/8-18 UNEF	1-20 UNEF
18-12	D	23.62	34.13	58.3	11.5	15.0	1 1/8-18 UNEF	1-20 UNEF
20-15	D	26.27	37.31	60.0	11.0	17.0	1 1/4-18 UNEF	1 3/16-18 UNEF
22-22	D	29.85	40.48	67.6	11.0	17.0	1 3/8-18 UNEF	1 3/16-18 UNEF
24-10	D	33.02	43.66	71.8	11.5	19.8	1 1/2-18 UNEF	1 7/16-18 UNEF
24-10(G)	G	33.02	43.66	71.8	11.5	19.8	1 1/2-18 UNEF	1 7/16-18 UNEF

Amphenol MIL-C-5015 connectors

DL Series, Dimension

Right Angle Plug
DL3108A



DL3108A Right angle plugs have a solid endbell and are used where wire must be brought at an abrupt angle.

(mm)

Contact	Grounding	ØA	ØB	C	D	E	I	J
---------	-----------	----	----	---	---	---	---	---

Arrangement	Contact	+0.00 -0.38	Max	Max	Max	Max	Thread-2B	Thread-2A
10SL-3	C	11.33	24.61	44.0	24.0	6.8	5/8-24 UNEF	5/8-24 UNEF
18-10	D	23.62	34.13	65.0	30.0	15.0	1 1/8-18 UNEF	1-20 UNEF
18-12	D	23.62	34.13	65.0	30.0	15.0	1 1/8-18 UNEF	1-20 UNEF
20-15	D	26.27	37.31	74.2	32.0	17.0	1 1/4-18 UNEF	1 3/16-18 UNEF
22-22	D	29.85	40.48	73.0	32.0	17.0	1 3/8-18 UNEF	1 3/16-18 UNEF
24-10	D	33.02	43.66	82.0	38.2	19.8	1 1/2-18 UNEF	1 7/16-18 UNEF
24-10(G)	G	33.02	43.66	82.0	38.2	19.8	1 1/2-18 UNEF	1 7/16-18 UNEF

 [PREV](#)
 [HOME](#)
 [NEXT](#)

Amphenol MIL-C-5015 Connectors

Customized Products

AJ Series



AJ series connectors meet the performance criteria of most factory automation applications. They withstand exposure to moisture, oil and vibration. Bayonet lock coupling.

Material/Finish

Shell

ZnDC/O.D Zinc Chromate



Hood	Aluminum alloy/O.D Zinc Chromate
Insulator	PBT
Contact	Copper alloy/Silver
Bushing	Synthetic rubber

Characteristics

Insulation resistance	1000Mega ohms minimum (at DC500V)
Temperature range	-25°C to 85°C
Durability	500 Cycle connection/disconnection
Voltage rating (max.)	AC 250V , DC 350V
Contact resistance	5mΩ max.

Ordering Information

AJ 06 21 19 P X

Connector series

AJ

Shell style

00-Wall Mounting Receptacle
02-Box Mounting Receptacle
06-Straight Plug

Shell size

21

Alternate Position

X,Y,Z-See Page 33

Contact type

P-Pin(+), male
S-Socket(-), female

Insert Arrangement

See Page 33

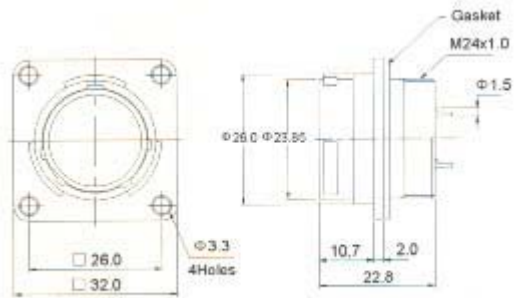
[PREV](#) [HOME](#) [NEXT](#)

[Amphenol MIL-C-5015 Connectors](#)

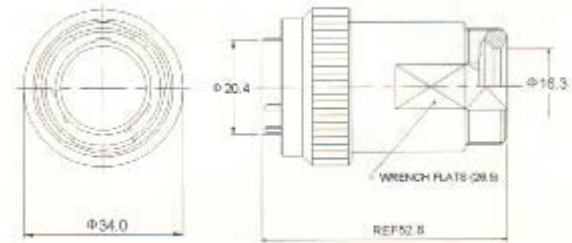
[Customized Products](#)

[AJ Series Dimension](#)

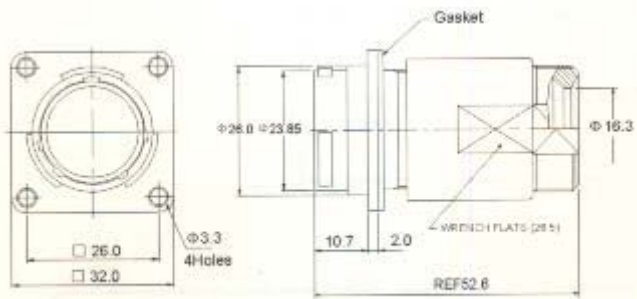
Box Mounting Receptacle



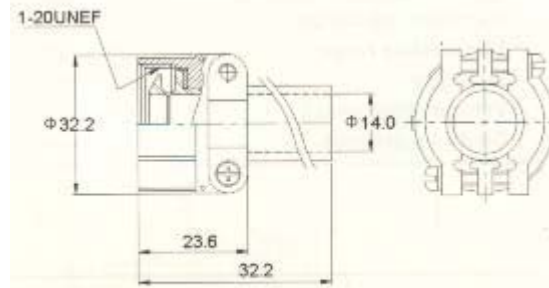
Straight Plug



Wall Mounting Receptacle



Cable Clamp



*Same as DL3057-10A

Insert Arrangement

Insert No.	21-19
Arrangement (Front view of Pin insert)	
No. of Contacts	#20-19
Shell Size	21

*Insert Arrangement, other than 21-19 available, Contact us.

[PREV](#)
[HOME](#)
[NEXT](#)

Amphenol MIL-C-5015 Connectors

Customized Products

ADG Series



ADG Bayonet coupling connectors in accordance with VG95234, well known as Amphenol ADG Bayonet connectors, are basically MIL-C-5015 type connectors. They withstand exposure to moisture, oil and vibration. Bayonet lock coupling. ADG series connectors meet the performance most subway coupler applications.

Material/Finish

Shell	Aluminum alloy/Black Anodize
Hood	Aluminum alloy/Black Anodize
Insulator	Synthetic rubber
Contact	Copper alloy/Gold
Grommet	Silicon Rubber
Bushing	Synthetic rubber

Characteristics

Insulation resistance	5000Mega ohms minimum (at DC500V)
Temperature range	-55°C to 125°C
Durability	500 Cycle connection/disconnection
Voltage rating (max.)	AC 500V , DC 700V
Contact resistance	1.8mΩ max.

Ordering Information

ADG 06 F 36 03 P

Connector series

ADG

Shell style

02-Box Mounting Receptacle

06-Straight Plug

Service Class

F - Environmental resisting
with grommet seal & strain relief
backshell

Contact type

P-Pin(+), male

S-Socket(-), female

Insert Arrangement

See Page 35

Shell Size

36

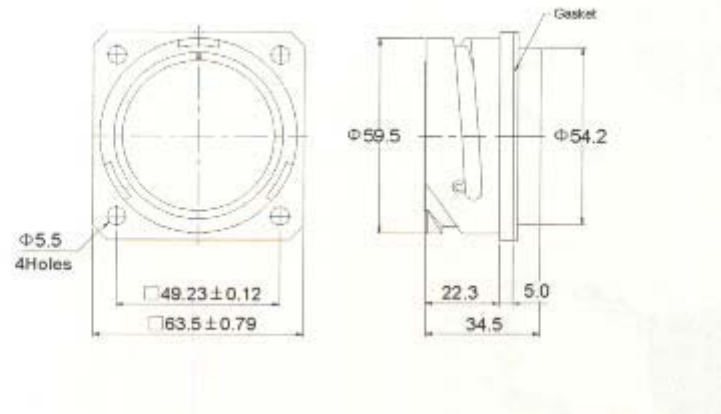
[PREV](#) [HOME](#) [NEXT](#)

[Amphenol MIL-C-5015 Connectors](#)

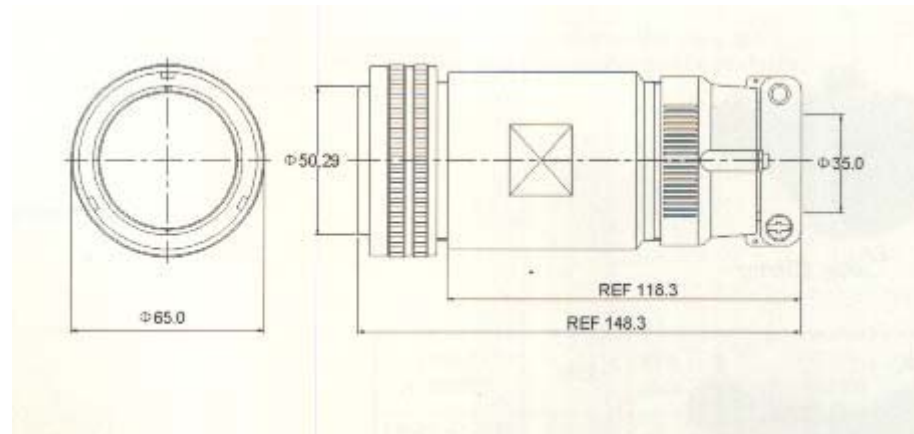
[Customized Products](#)

[ADG Series Dimension](#)

Box Mounting Receptacle

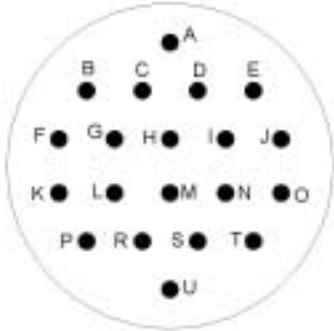
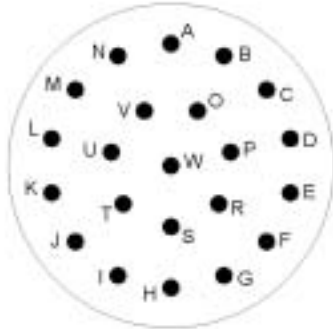


Straight Plug



Insert Arrangement

Insert No.	36-03	36-04	* Insert Arrangement,
------------	-------	-------	-----------------------

Arrangement (Front view of Pin insert)			other than 36-03,04 available, Contact us.
No. of Contacts Shell Size	#12-20 36	#12-22 36	



Amphenol MIL-C-5015 connectors

Accessories



These metal dust caps are used to protect the plugs and receptacles. They are furnished with sash chains and are available with bead chains.

MS3057 style cable clamp was designed for use with jacketed cable or wire protected by tubing. Both clamping halves float maximum strain relief. For unjacketed cable or wires, Use corresponding MS3420 telescoping bushing.

Telescoping bushings keep dirt, oil and moisture out of end bell.

Plug Protection Cap

Sealing Gasket is being supplied separately.



Receptacle Protection Cap



Cable Clamp



Telescoping Bushing



Sealing Gasket

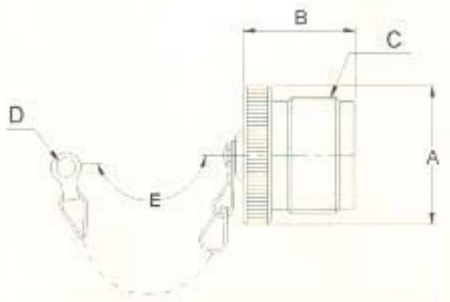
[PREV](#) [HOME](#) [NEXT](#)

[Amphenol MIL-C-5015 connectors](#)

[Accessories Dimension](#)

Plug Protection Cap

MS25042



PART NUMBER	SIZE	ØA Max	B Max	C Thread 2A	ØD -0.3	E Approx
MS25042-10D	10S,10SL	18.5	17.2	5/8-24 UNEF	4.2	102
MS25042-12D	12S,12	20.4	21.4	3/4-20 UNEF	4.2	114
MS25042-14D	14S,14	23.6	21.4	7/8-20 UNEF	4.2	114
MS25042-16D	16S,16	26.0	21.4	1-20 UNEF	4.2	114
MS25042-18D	18	29.9	21.4	1 1/8-18 UNEF	4.2	114
MS25042-20D	20	33.1	21.4	1 1/4-18 UNEF	4.2*	127
MS25042-22D	22	36.2	21.4	1 3/8-18 UNEF	4.2*	127
MS25042-24D	24	39.4	21.4	1 1/2-18 UNEF	4.2*	140
MS25042-28D	28	45.7	21.4	1 3/4-18 UNEF	4.2*	197
MS25042-32D	32	52.0	21.4	2-18 UNS	4.2**	197
MS25042-36D	36	59.0	21.4	2 1/4-16 UN	4.2**	197

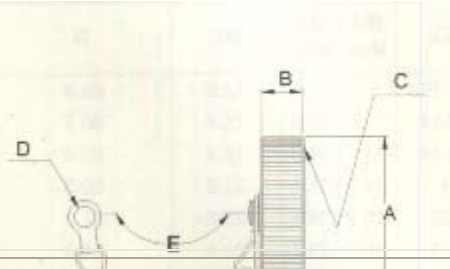
These externally threaded metal dust caps are used to protect the MS3106 and MS3108 plugs.

Material is aluminum alloy.They are furnished with sash chains and are available with bead chains.

Optional termination holes are also available.(*5.0)(**5.8)

Receptacle Protection Cap

MS25043



PART NUMBER	SIZE	ØA Max	B Max	C Thread 2A	ØD -0.3	E Approx
MS25043-10D	10S,10SL	20.2	15.8	5/8-24 UNEF	4.2	102
MS25043-12D	12S,12	23.4	15.8	3/4-20 UNEF	4.2	114
MS25043-14D	14S,14	27.9	15.8	7/8-20 UNEF	4.2	114
MS25043-16D	16S,16	29.8	15.8	1-20 UNEF	4.2	114

MS25043-18D	18	32.2	15.8	1 1/8-18 UNEF	4.2	114
MS25043-20D	20	36.3	15.8	1 1/4-18 UNEF	4.2	127
MS25043-22D	22	39.9	15.8	1 3/8-18 UNEF	4.2	127
MS25043-24D	24	43.7	15.8	1 1/2-18 UNEF	4.2*	140
MS25043-28D	28	50.0	15.8	1 3/4-18 UNS	4.2*	197
MS25043-32D	32	56.5	15.8	2-18 UNS	4.2**	197
MS25043-36D	36	61.5	15.8	2 1/4-16 UN	4.2**	197

These internally threaded metal dust caps are used to protect MS3100, MS3101 and MS3102 receptacles.

Metal Is aluminum alloy. They are furnished with sash chains and are available with bead chains.

Optional termination holes are also available. (*4.58)(**5.00)

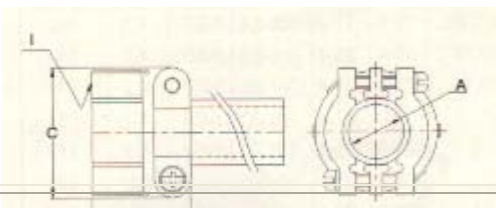


Amphenol MIL-C-5015 connectors

Accessories Dimension

Cable Clamp

MS3057

	PART NUMBER	SIZE	ØA ±0.4	B ±0.8	ØC ±0.8	I Thread-2B
	MS3057-4A	10SL,12S	5.6	20.3	23.3	5/8-24 UNEF
	MS3057-6A	14S,14	7.9	22.5	25.9	3/4-20 UNEF

MS3057-8A	16S,16	11.1	24.4	28.9	7/8-20 UNEF
MS3057-10A	18	14.3	23.6	32.2	1-20 UNEF
MS3057-12A	20,22	15.9	23.6	37.8	1 3/16-18 UNEF
MS3057-16A	24,28	19.1	26.0	43.4	1 7/16-18 UNEF
MS3057-20A	32	23.8	27.7	52.1	1 3/4-18 UNS
MS3057-24A	36	31.8	29.2	57.3	2-18 UNS

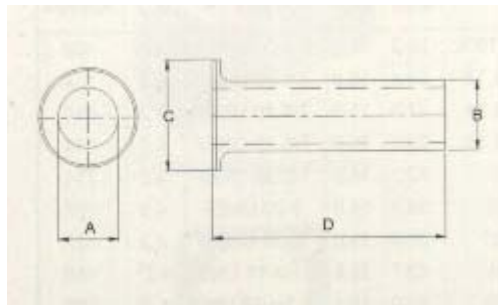
MS3057 style cable clamp was designed for use with jacketed cable or wire protected by tubing.

Both clamping halves float maximum strain relief. for unjacketed cable or wires, use corresponding

MS3420 telescoping bushing. To order clamp without bushing, add -1 to the P/N.

Telescoping Bushing

MS3420



PART NUMBER	SIZE	ØA Max	ØB Max	ØC	D
MS3420-4	10SL,12S	5.6	7.7	12.8	69.9
MS3420-6	14S,14	7.9	10.9	15.7	66.7
MS3420-8	16S,16	11.1	14.0	18.9	63.5
MS3420-10	18	14.3	15.6	22.6	60.3
MS3420-12	20,22	15.9	18.8	27.5	57.2
MS3420-16	24,28	19.1	23.6	33.4	54.0
MS3420-20	32	23.8	31.5	40.6	50.8
MS3420-24	36	31.8	34.7	46.9	47.6

Telescoping grand bushings (used with 3057 clamp) keep dirt, oil and moisture out of endbell.

Taping or wrapping wires is eliminated since bushing protects wires going thru clamp.

Combinations of bushing may be used to decrease cable entry diameter to improve sealing.

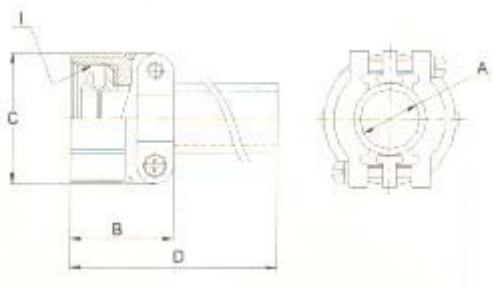


Amphenol MIL-C-5015 connectors

Accessories Dimension

Cable Clamp

DL3057

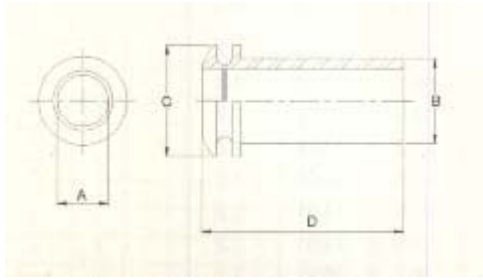
	PART NUMBER	SIZE	ØA	B	ØC	D	I Thread – 2B
	DL3057-4A	10SL	6.0	20.3	23.3	53.3	5/8-24 UNEF
	DL3057-10A	18	14.0	23.6	32.2	54.4	1-20 UNEF
	DL3057-12A	20, 22	15.9	23.6	37.8	57.3	1 3/16-18 UNEF
	DL3057-16A	24	18.0	26.0	43.4	56.4	1 7/16-18 UNEF

DL3057 style cable clamp was designed for use with jacketed cable or wire protected by tubing.

Both clamping halves float maximum strain relief. for unjacketed cable or wires, use corresponding DL3420 telescoping bushing. To order clamp without bushing, add -1 to the P/N.

Telescoping Bushing

DL3420



PART NUMBER	SIZE	ØA Max	ØB Max	ØC	D
DL3420-4	10SL	6.0	7.7	12.0	47.5
DL3420-10	18	14.0	15.6	20.7	52.2
DL3420-12	20,22	15.9	18.8	24.5	52.3
DL3420-16	24	18.0	23.6	30.0	56.0

Telescoping grand bushings (used with 3057 clamp) keep dirt, oil and moisture out of endbell.

Taping or wrapping wires is eliminated since bushing protects wires going thru clamp.

Combinations of bushing may be used to decrease cable entry diameter to improve sealing.



Amphenol MIL-C-5015 connectors

Accessories Dimension

Sealing Gasket

BMA 31

D
4 Holes

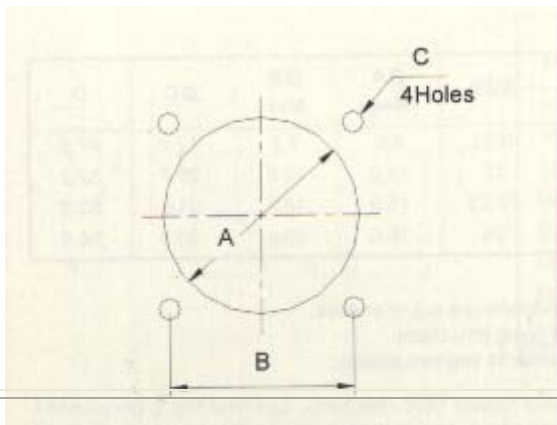


PART NUMBER	Shell Size	□A	□B	ØC	D +0.2
BMA31-10	10S,10SL	25.40	18.26	14.9	3.2
BMA31-12	12S,12	27.79	20.62	16.4	3.2

BMA31-14	14S,14	30.18	23.01	20.4	3.2
BMA31-16	16S,16	32.54	24.61	23.0	3.2
BMA31-18	18	34.94	26.97	25.9	3.2
BMA31-20	20	38.10	29.36	29.1	3.2
BMA31-22	22	41.28	31.75	32.0	3.2
BMA31-24	24	44.45	34.93	35.3	3.8
BMA31-28	28	50.80	39.67	41.5	3.8
BMA31-32	32	57.15	44.45	47.5	4.6
BMA31-36	36	63.50	49.23	54.7	4.6

The flat gasket of synthetic rubber material is provided to take complete advantage of waterproof and pressure sealing features. It is use with the flange mounted receptacle.

Panel Mounting Hole(Reference)



Shell Size	ØA ± 0.5	□B ± 0.12	C +0.2
10SL	17.5	18.26	3.2
12S	18.5	20.62	3.2
12	18.5	20.62	3.2
14S	22.0	23.01	3.2
14	22.0	23.01	3.2

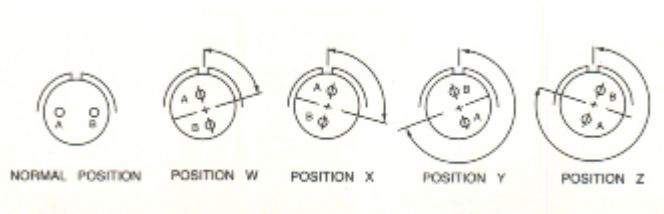
	16S	25.0	24.61	3.2
	16	25.0	24.61	3.2
	18	30.0	26.97	3.2
	20	33.0	29.36	3.2
	22	35.0	31.75	3.2
	24	39.0	34.93	3.8
	28	45.0	39.67	3.8
	32	52.0	44.45	4.6
	36	59.0	49.23	4.6

[PREV](#)
[HOME](#)
[NEXT](#)

Amphenol MIL-C-5015 Connectors

MS/DS Series

Insert Arrangement & Alternate Positioning



Contact Arrange-ment	Service Rating	Total Cont-acts	Contact Size					Alternate Position-Degrees			
			0	4	8	12	16	W	X	Y	Z
10S-2	A	1					1	-	-	-	-
10SL-3	A	3					3	-	-	-	-
10SL-4	A	2					2	-	-	-	-
12S-1	A	2					2	-	-	-	-
12S-3	A	2					2	4	145	215	290
12S-4	D	1					1	-	-	-	-
12-5	D	1				1		-	-	-	-
14S-1	A	3					3	-	-	-	-
14S-2	INST	4					4	-	120	240	-
14S-4	D	1					1				
14S-5	INST	5					5	-	110	-	-
14S-6	INST	6					6	-	-	-	-
14S-7	A	3					3	90	180	270	-
14S-9	A	2					2	70	145	215	290
14S-10	INST	4					4	-	-	-	-
14S-12	A	3					3	-	-	-	-
14-3	A	1			1			-	-	-	-
16S-1	A	7					7	80	-	-	280
16S-3	B	1					1	-	-	-	-
16S-4	D	2					2	35	110	250	325
16S-5	A	3					3	70	145	215	290
16S-6	A	3					3	90	180	270	-
16S-8	A	5					5	-	170	265	-
16-2	E	1				1		-	-	-	-

Contact Arrange-ment	Service Rating	Total Cont-acts	Contact Size					Alternate Position-Degrees				
			0	4	8	12	16	W	X	Y	Z	
18-22	D	3						3	70	145	215	290
18-24	A/Inst	10						10	-	-	-	-
18-29	A	5						5	-	-	-	-
18-30	A	5						5	-	-	-	-
18-31	A	5						5	-	-	-	-
20-2	D	1	1						-	-	-	-
20-3	D	3					3		40	145	215	290
20-4	D	4					4		45	110	250	-
20-6	D	3						3				
20-7	D/A	8						8	80	110	250	280
20-8	Inst.	6				2		4	80	110	250	280
20-9	D/A	8				1	7					
20-11	Inst.	13						12	-	-	-	-
20-12	A	2		1				1	-	-	-	-
20-14	A	5			2	3			-	-	-	-
20-15	A	7				7			80	-	-	280
20-16	A	9				2	7		80	110	250	280
20-17	A	6				5	1		90	180	270	-
20-18	A	9				3	6		35	110	250	325
20-19	A	3				3			90	180	270	-
20-20	A	4		1		3			-	-	-	-
20-21	A	9				1	8		-	-	-	-
20-22	A	6			3			3	80	110	250	280
20-23	A	2			2				35	110	250	325

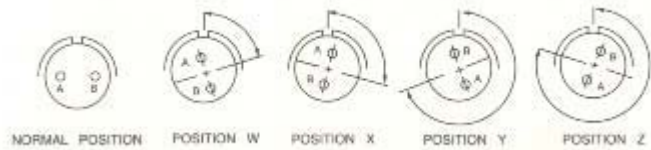
16-7	A	3		1	2		-	-		
16-9	A	4			2	2	35	110	250	325
16-10	A	3			3		90	180	270	-
16-11	A	2			2		35	110	250	325
16-12	A	1	1				-	-	-	-
16-13	A	2			2		35	110	250	325
18-1	A/Inst	10			10		70	145	215	290
18-3	D	2			2		35	110	250	325
18-4	D	4			4		35	110	250	325
18-5	D	3			2	1	80	110	250	280
18-6	D	1	1				-	-	-	-
18-7	B	1		1			-	-	-	-
18-8	A	8			1	7	70	-	-	290
18-9	Inst.	7			2	5	80	110	250	280
18-10	A	4			4		-	120	240	-
18-11	A	5			5		-	170	265	
18-12	A	6			6		80	-	-	280
18-13	A	4		1	3		80	110	250	280
18-14	A	2	1		1		-	-	-	-
18-15	A	4			4		-	120	240	-
18-16	C	1			1		-	-	-	-
18-17	Inst.	7			2	5	-	-	-	-
18-19	A	10			10		-	120	240	-
18-20	A	5			5		90	180	270	-
18-21	A1	3			3		-	-	-	-

20-24	A	4			2		2	-	-	-	-
20-25	Inst.	13					13	-	-	-	-
20-27	A	14					14	35	110	250	325
20-29	A	17					17	80	-	-	20
20-30	Inst.	13					13	-	-	-	-
20-33	A	11					11	-	-	-	-
22-1	D	2			2			35	110	250	325
22-2	D	3			3			70	145	215	290
22-4	A	4			2	2		35	110	250	325
22-5	D	6			2	4		-	-	-	-
22-6	D	3			2		1	-	-	-	-
22-7	E	1	1					-	-	-	-
22-8	E	2			2			35	110	250	325
22-9	E	3			3			70	145	215	290
22-10	E	4				4		35	110	250	325
22-11	B	2				2		35	110	250	325
22-12	D	5			2		3	80	110	250	280
22-13	D/A	5			4	1		34	110	250	325
22-14	A	19					19	80	110	250	280
22-15	E/A	6			5	1		80	110	250	280
22-16	A	9			3	6		-	-	-	-
22-17	D/A	9			1	8		-	-	-	-
22-18	A/D	8					8	80	110	250	280
22-19	A	14					14	80	110	250	280
22-20	A	9					9	35	110	250	325

Amphenol MIL-C-5015 Connectors

MS/DS Series

Insert Arrangement & Alternate Positioning



Contact Arrangement	Service Rating	Total Cont-acts	Contact Size					Alternate Position-Degrees			
			0	4	8	12	16	W	X	Y	Z
22-21	A	3					2	-	-	-	-
22-22	A	4			4			-	110	250	-
22-23	D/A	8				8		35	-	250	-
22-27	D/A	6				2	4	80	-	250	280
22-28	A	9			1		8	80	-	-	280
22-33	D/A	7					7	-	-	-	-
22-34	D	5				3	2	-	-	-	-
24-2	D	7				7		80	-	-	280
24-3	D	7				2	5	-	-	-	-

Contact Arrangement	Service Rating	Total Cont-acts	Contact Size					Alternate Position-Degrees			
			0	4	8	12	16	W	X	Y	Z
28-19	B/D/A	10			4	6		80	110	250	280
28-20	A	14			10	4		80	110	250	280
28-21	A	37					37	80	110	250	280
28-22	D	6		3			3	70	145	215	290
32-1	E/D	5	2			3		80	110	250	280
32-2	E	5		3			2	-	-	-	-
32-3	D	9	1	2		2	4	-	-	-	-
32-4	A/D	14				2	12	-	-	-	-
32-5	D	2	2					35	110	250	325

24-5	A	16				16	80	110	250	280
24-6	D/A	8			8		80	110	250	280
24-7	A	16			2	14	80	110	250	280
24-9	A	2	2				35	110	250	325
24-10	A	7		7			80	-	-	280
24-11	A	9		3	6		35	110	250	325
24-12	A	5	2		3		80	110	250	280
24-16	D/A	7		1	3	3	-	-	-	-
24-17	D	5			2	3	-	-	-	-
24-20	D	11			2	9	80	110	250	280
24-21	D	10		1		9	-	-	-	-
24-22	D	4		4			45	110	250	-
24-27	E	7				7	-	-	-	-
24-28	INST	24				24	80	110	250	280
28-1	D/A	9		3	6		80	110	250	280
28-2	D	14			2	12	-	-	-	-
28-3	E	3		3			70	145	215	290
28-4	E/D	9			2	7	-	-	-	-
28-5	D	5	2		1	2	-	-	-	-
28-6	D	3	3				70	145	215	290
28-7	D	2	2				35	110	250	325
28-8	E/D/A	12			2	10				
28-9	D	12			6	6	80	110	250	280
28-10	D/A	7	2	2	3		80	110	250	280
28-11	A	22			4	18	80	110	250	280
28-12	A	26				26	90	180	270	
28-13	A	26				26	-	-	-	-

32-6	A	23		2	3	2	16	80	110	250	325
32-7	INST/A	35				7	28	80	125	235	280
32-8	A	30				6	24	80	125	235	280
32-9	D	14		2			12	80	110	250	280
32-10	E/B/D/A	7		2	2		3	-	-	-	-
32-12	A/D	15				5	10	-	-	-	-
32-13	D	23				5	18	-	-	-	-
32-15	D	8	2			6		35	110	250	280
32-16	A	23		2	3	2	16	-	-	-	-
32-17	D	4		4				45	110	250	280
32-22	A/U/V	54					54	80	110	250	280
36-1	D	22				4	18	80	110	250	280
36-3	D	6	3			3		70	145	215	290
36-4	D/A	3	3					70	145	215	290
36-5	A	4	4					-	120	240	-
36-6	A	6	2	4				35	110	250	325
36-7	A	47				7	40	80	110	250	280
36-8	A	47				1	46	80	110	250	280
36-9	A	31		1	2	14	14	80	125	235	280
36-10	A	48					48	80	125	235	280
36-11	A	48					48	-	-	-	-
36-12	A	48					48	-	-	-	-
36-13	E/A	17				2	15	80	110	250	280
36-14	D	16			5	5	6	90	180	270	-
36-15	D/A	35					35	60	125	245	305
36-16	A	47				7	40	-	-	-	-
36-17	A	47				7	40	-	-	-	-

