



Low surface temperature

Compact size

Wide voltage range

Double insulated protection

DIN rail mountable

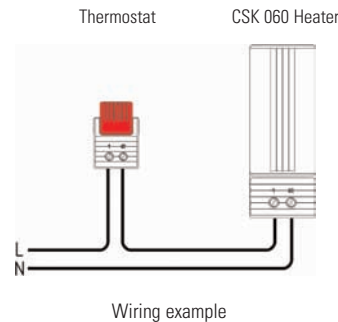
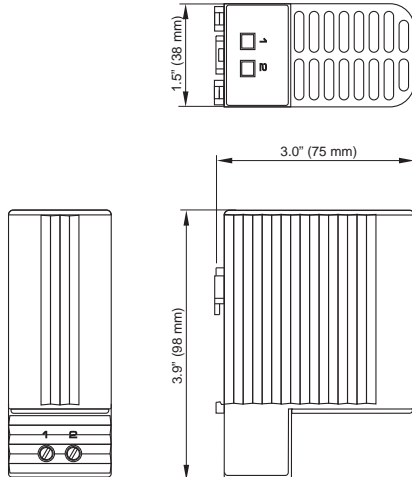
The CSK 060 is a touch-safe heater for use in enclosures. The design of the heater utilizes natural convection which results in a circulating current of warm air. The surface temperatures on the accessible side surfaces of the housing are minimized as a result of the heater design.



Technical Data

Heating capacity	see table
Heating element	PTC resistor - temperature limiting
Surface temperature	< 176°F (80°C), except upper protective grill
Connection	4-pole terminal AWG 14 max (2.5mm ²), torque 0.8Nm max.
Mounting	clip for 35mm DIN rail, EN 60 715
Housing	plastic, UL 94V-0, black
Mounting position	vertical
Operating temperature	-4 to +158°F (-20 to +70°C)
Storage temperature	-49 to +158°F (-45 to +70°C)
Protection class	II (double insulated)
Protection type	IP20
Approvals	UL File No. E150057, VDE
Note	other voltages available upon request

*Operating with voltages below 140VAC reduces heating performance by approx. 10%.



Part No.	Heating capacity ¹⁾	Operating voltage	Max. current (inrush)	Dimensions	Weight (approx.)
06030.0-00	20W	AC/DC 120-240V	2.5A	3.9 x 3.0 x 1.5" (98 x 75 x 38mm)	10.6 oz. (300g)
06040.0-00	10W	AC/DC 120-240V	1.0A	3.9 x 3.0 x 1.5" (98 x 75 x 38mm)	7.1 oz. (200g)
06040.1-00	10W	AC/DC 12-30V	8A	3.9 x 3.0 x 1.5" (98 x 75 x 38mm)	7.1 oz. (200g)

¹⁾ at 68°F (20°C) ambient temperature

Specifications are subject to change without notice. Suitability of this product for its intended use and any associated risks must be determined by the end customer/ buyer in its final application.