

Description

Amphenol's 81 Series FME Connectors are used for mobile antenna applications and can be adapted for either UHF, Mini-UHF, TNC, BNC and N connector interfaces using BSA adapters.

Features/Benefits

- Crimp assembly providing easy installation
- Between Series adapters available for ease of adaptability

Applications

- Telecommunications
- Wireless

Specifications

Electrical

Impedance 50 Ω nominal
 Frequency Range DC -200 MHz

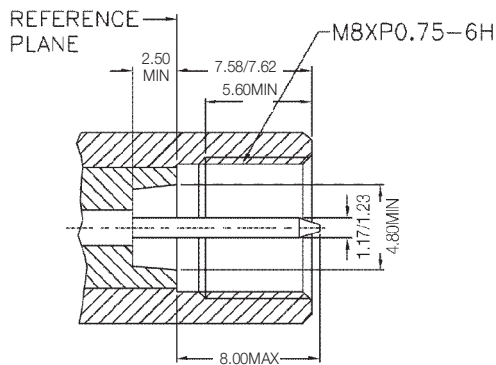
Mechanical

Mating M8XP .75 thd.
 Cable Affixment Crimp

Material

Body, coupling sleeve, male contact Brass
 Female contact Phosphor Bronze
 Crimp Ferrule Brass
 Plating Contacts: Gold
 Other metal parts: Nickel
 Insulator Teflon or Delrin

Plug



Jack

