

EUROPA SERIES

230



Insulated Terminal Blocks 1 - 12way with and without Wire Protector

Approvals											
Nominal Cross-Section mm ²	2,5	2,5	2,5	2,5	2,5	2,5	w/o DS 2,5 with DS 1,5	22-12 AWG 30 amp.	24-12 AWG 25 amp.	2,5	
Voltage Rating V	450	400	400	400	400	400	400	150/250	300	400	

230, without Wire Protector - 230 DS, with Wire Protector

Because of its small dimensions series 230 is specially appropriate for purposes where only restricted space is available. It complies with VDE 0700 (EN 60335-1) and VDE 0711 (EN 60598-1), if used with electrical equipment and luminaires up to a current rating of 16 A. However, it is essential for manufacturers to consider the required minimum creepage and clearance distance of 8 mm, e.g. by use of an insulating plate or by use of type 230 K which is provided with a raised base.

230 K, without Wire Protector - 230 K DS, with Wire Protector

Same version as type 230, however, with a base raised by 4.2 mm.

230 BZ, Marking Labels

For marking labels please see page 31.

Technical Data

Mouldings: Polyamide 6, natural
Continuous working temp.: 100° C
Short-time temperature: 160° C
Flammability to UL 94-V-2
other polyamides upon request

Inserts: Brass, tinned

Screws: M 3 x 5.5 mm
Steel, zinc plated, chromed
⊙ max. 0.5 Nm

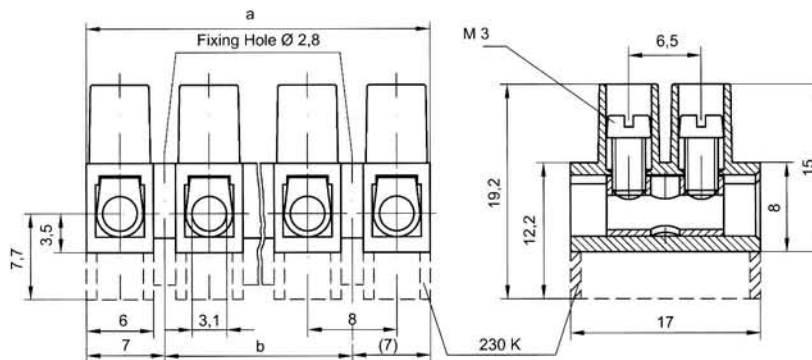
Wire Protectors: Stainless spring steel

Current Rating: to EN 60 598 : 16 A
to EN 60 998 : 24 A

Maximum Ambient Temp.: T 85 °C

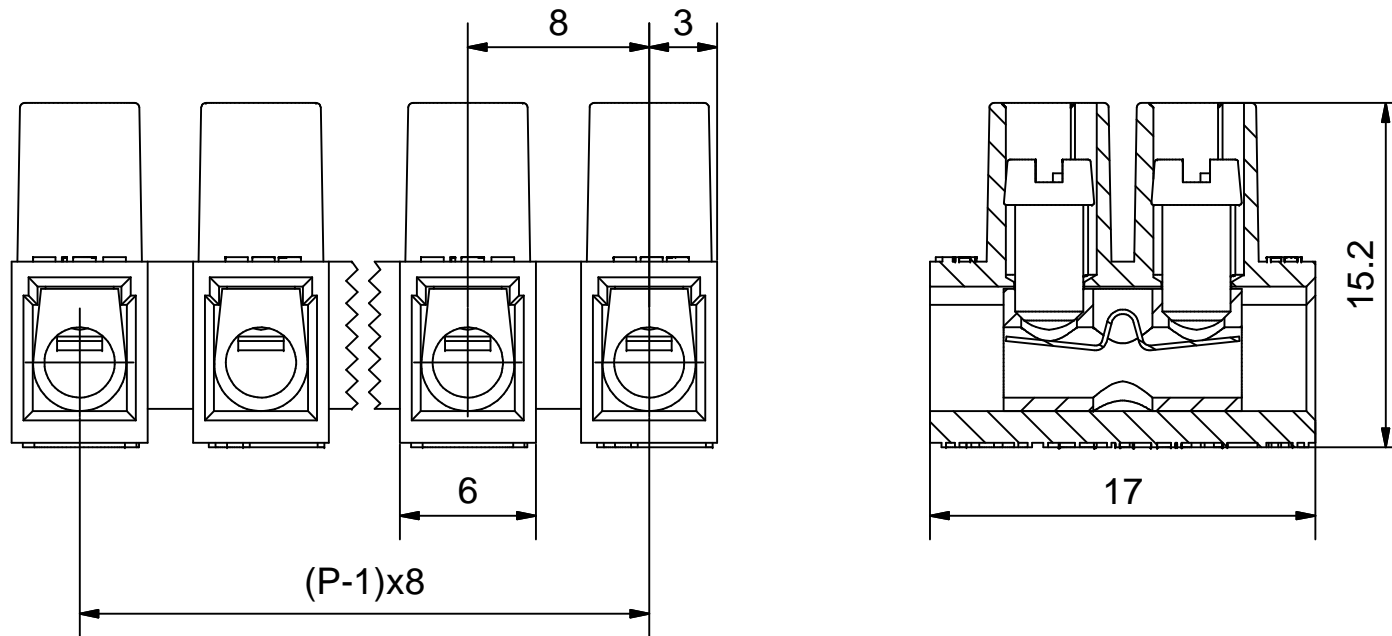
Conductor Size: without wire protector = up to 4 mm²
with wire protector = up to 1.5 mm²

Stripping Length: 5 - 5.5 mm



230, without Wire Protector			230 DS, with Wire Protector			230 K without Wire Protector			230 K DS, with Wire Protector			Dimensions mm	
List No./ No. of Ways	Order No.	Kgs. per 100 Pcs.	List No./ No. of Ways	Order No.	Kgs. per 100 Pcs.	List No./ No. of Ways	Order No.	Kgs. per 100 Pcs.	List No./ No. of Ways	Order No.	Kgs. per 100 Pcs.	a*	b
230/ 1	12 12 01	0,22	230/ 1 DS	12 13 01	0,22	230 K/ 1	12 16 01	0,24	230 K/ 1 DS	12 17 01	0,24	6	-
230/ 2	12 12 02	0,44	230/ 2 DS	12 13 02	0,44	230 K/ 2	12 16 02	0,49	230 K/ 2 DS	12 17 02	0,49	14	-
230/ 3	12 12 03	0,66	230/ 3 DS	12 13 03	0,66	230 K/ 3	12 16 03	0,73	230 K/ 3 DS	12 17 03	0,73	22	8
230/ 4	12 12 04	0,88	230/ 4 DS	12 13 04	0,89	230 K/ 4	12 16 04	0,97	230 K/ 4 DS	12 17 04	0,98	30	16
230/ 5	12 12 05	1,10	230/ 5 DS	12 13 05	1,11	230 K/ 5	12 16 05	1,21	230 K/ 5 DS	12 17 05	1,22	38	24
230/ 6	12 12 06	1,32	230/ 6 DS	12 13 06	1,33	230 K/ 6	12 16 06	1,46	230 K/ 6 DS	12 17 06	1,46	46	32
:	:	:	:	:	:	:	:	:	:	:	:	:	:
230/12	12 12 12	2,64	230/12 DS	12 13 12	2,66	230 K/12	12 16 12	2,91	230 K/12 DS	12 17 12	2,93	94	80

* Dimension a does not include webbings. Up to 0.5 mm may be added per webbing.
For packing units please see price list.



Maße ohne Toleranz nach DIN:		Diese Zeichnung darf ohne unsere Genehmigung weder im Original, noch kopiert dritten Personen oder Firmen zugänglich gemacht werden.		Maßstab 3:1		CAD - Zeichnung! NUR IN EDV ÄNDERN!		
Erstellt mit: Autodesk Inventor				Werkstoff		Oberfläche		
			Datum	Name	Benennung 230 DS Europaklemme			
			Gezeichnet	10.12.2009				Blazevic
			Kontrolliert					
			Norm					
				Zeichnungs-Nr.: K4-200-00		1		
				Art.-Nr.:		A4		
INDEX	ÄM - Nummer:	Datum	Name	Ers. f.	INDEX alt			