

RCA connector

Female

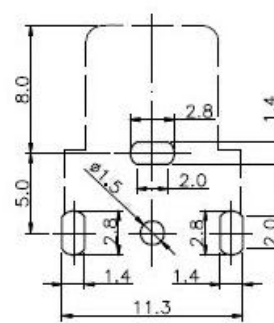
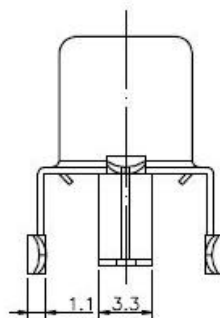
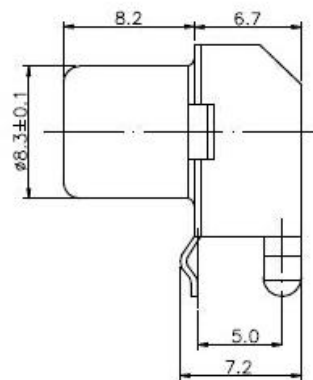
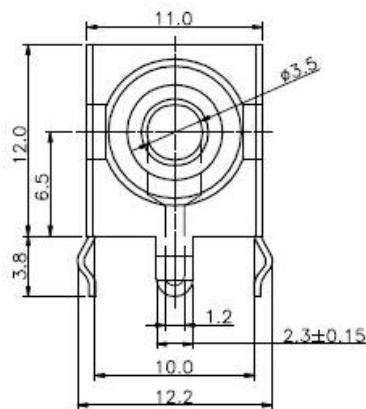


SPECIFICATION:

Colour	red
Housing Material	Polybutylene terephthalate (PBT)
Gender of contacts	Female
Connector Design	angled
Contacts	Brass/gold-plated
Termination type	PCB/THT



Art. Nr.
RND 205-00699



TOP VIEW
PCB LAYOUT RECOMMENDED