

## LCD-Frequency meter/Tachometer **CODIX 136**



CE US

- Low-price and high efficiency.
- Large 8 digit LCD display, height of the figures 8 mm.
- Optional backlighting
- Input frequency range from 1 Hz ... 12 kHz
- Gate measuring method, gate time 1 second
- Accuracy 0.05%
- All versions for positive or negative counting edge.
- Unified Codix design, suiting the extensive **CODIX** family.
- IP65
- Screw terminals, RM 5 mm
- Lifetime of the battery approximately 8 years
- Frequency measurement without external voltage supply, pulses acquisition also possible via dry contact, thus usable in all conditions
- Operating temperature  $-10 \dots +60 \text{ }^\circ\text{C}$

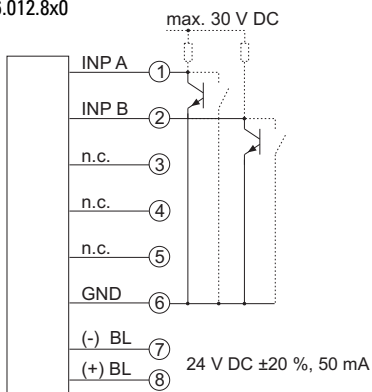
### Technical data:

Power supply:	non-replaceable lithium battery: (lifetime approximately 8 years at 20°C)
Backlighting:	external electrical source 24 V DC $\pm 20 \%$ , 50 mA
Display:	LCD, 8 decades, height of the figures 8 mm
Display range:	0 ... 99999999
Resolution:	1/sec (1 Hz)
Counting inputs:	
A. Counting input of the DC-versions (max. 30 V DC)	
Slow counting input:	max. 30 Hz NPN
Fast counting input:	max. 12 kHz (PNP), 7 kHz (NPN)
Switching level:	NPN: Low: 0 ... 0.7 V, High: 4 ... 30 V DC PNP: Low: 0 ... 0.7 V, High: 4 ... 30 V DC

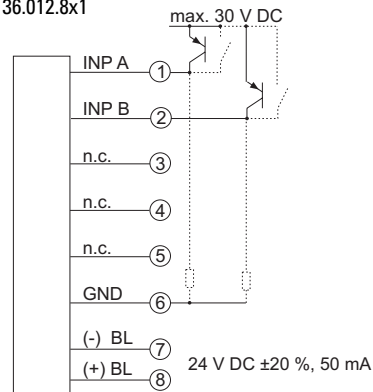
Interference emissions:	EN 55011 Class B, EN 61000-6-2 EN 61010 Section 1 (only AC versions)
Housing :	dark grey RAL 7021
Operating temperature:	$-10 \dots +55 \text{ }^\circ\text{C}$
Ambient temperature:	$-10 \dots +60 \text{ }^\circ\text{C}$
Storage temperature:	$-20 \dots +70 \text{ }^\circ\text{C}$
Protection:	IP 65 front
Weight:	approximately 50 g

### Connecting diagram

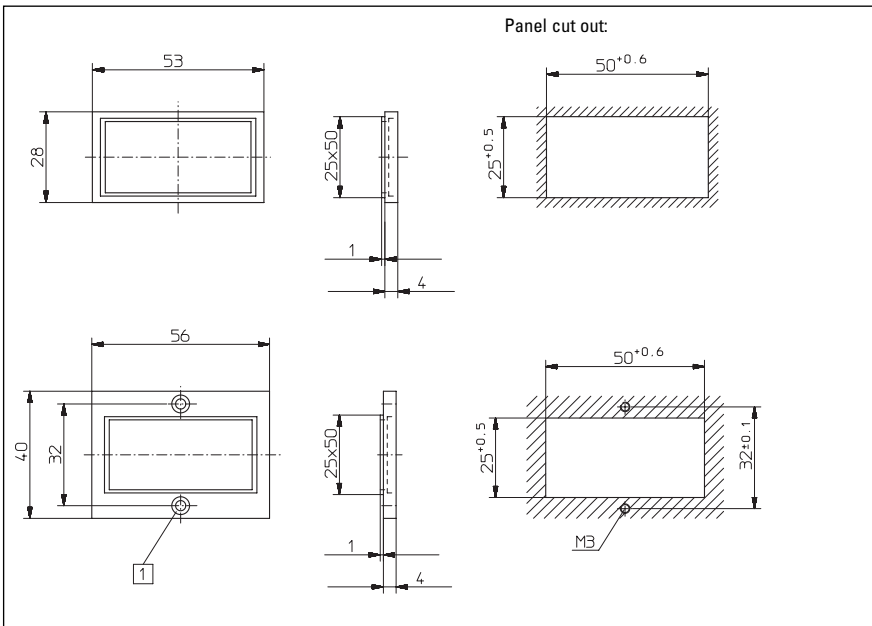
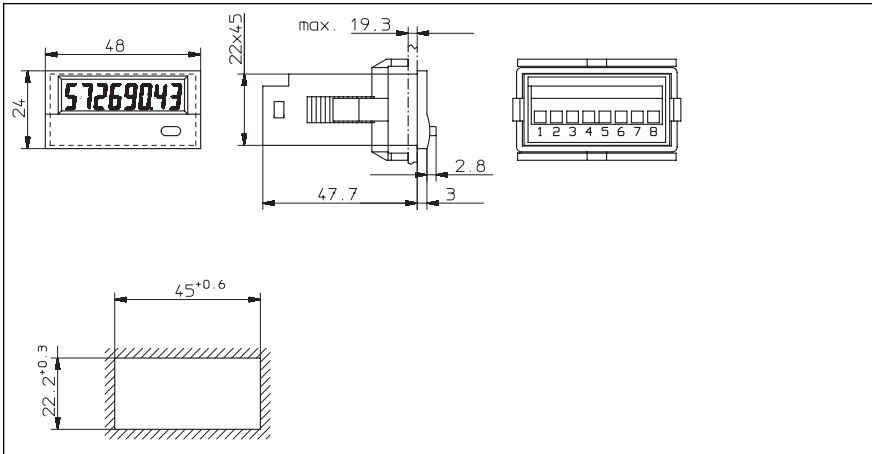
DC type:  
6.136.012.8x0



DC type:  
6.136.012.8x1



## Dimensions:



## Scope of delivery:

- Digital display
- Panel mounting clip
- Bezel for screw mounting(56 x 40), panel cut out 50 x 25 mm,
- Bezel for clip mounting(53 x 28), panel cut out 50 x 25 mm
- Seal
- Operating instructions.

## Order information

Type	Mode	Counting inputs					
		INP A			INP B		
6.136.012.8x0	Tacho	0 ... 0.7 V DC	NPN	7 kHz	0 ... 0,7 V DC	NPN	30 Hz
6.136.012.8x1	Tacho	4 ... 30 V DC	PNP	12 kHz	4 ... 30 V DC	PNP	30 Hz

X: 5 = no backlight  
 X: 6 = with backlight