

4

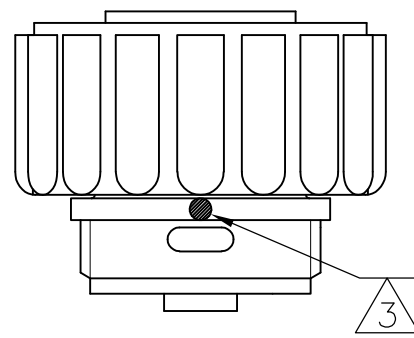
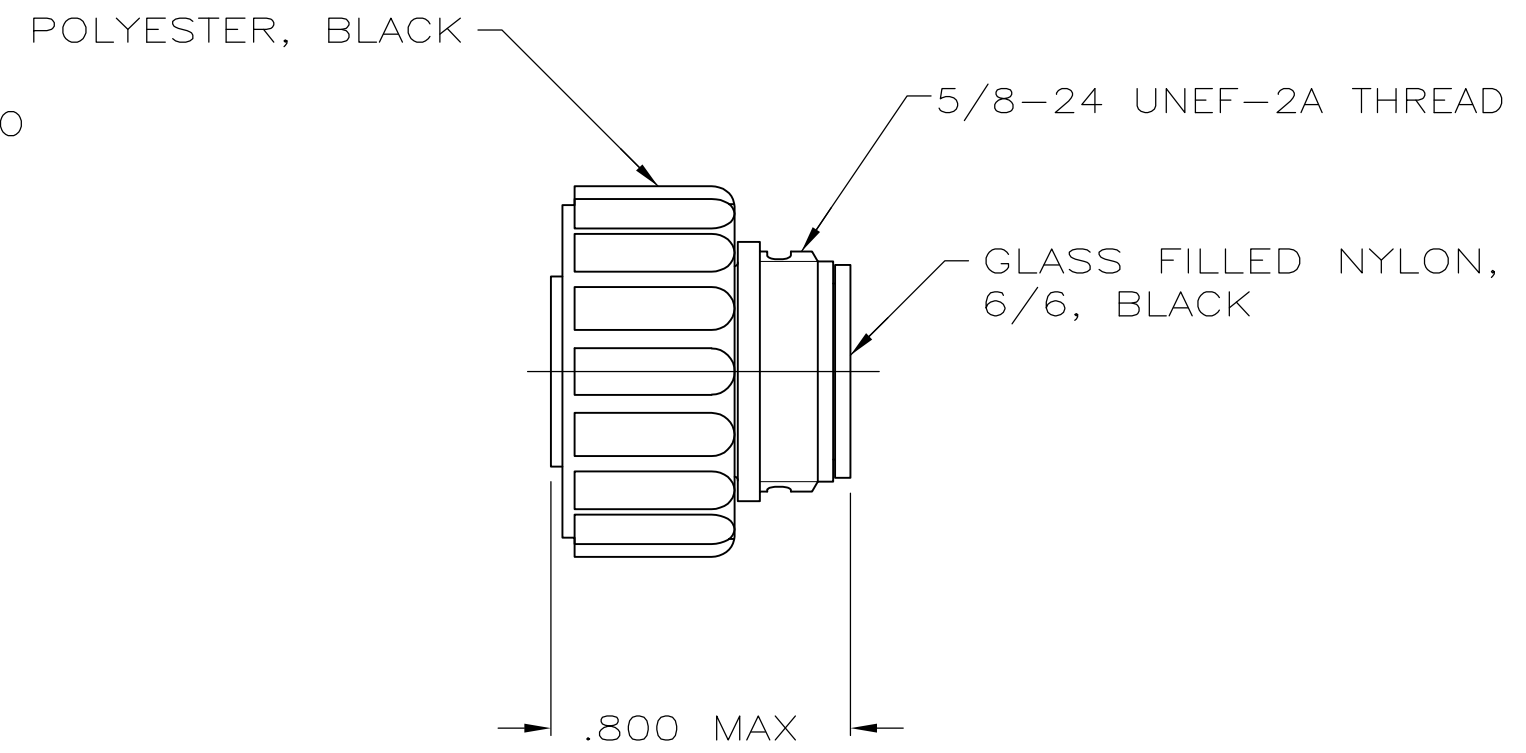
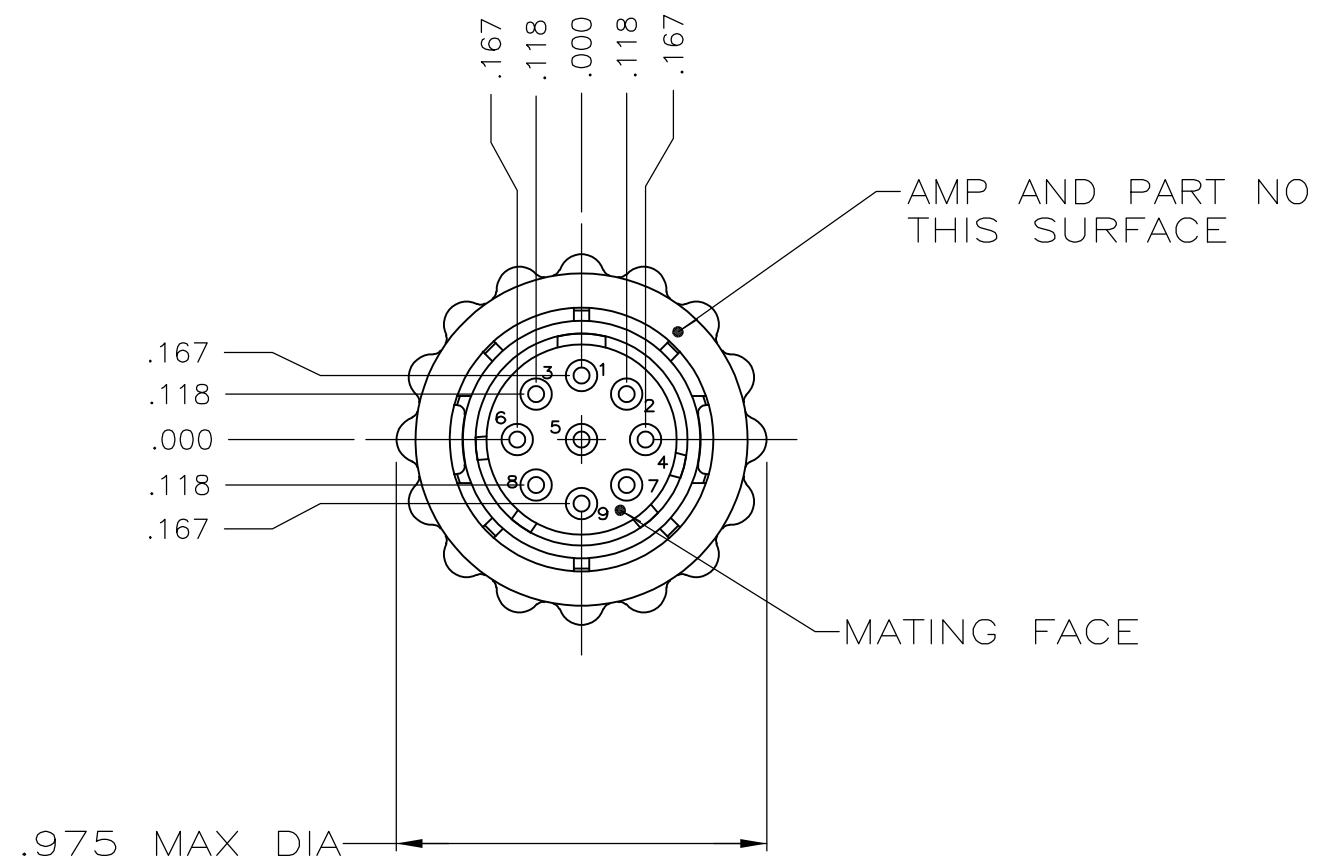
3

2

1

THIS DRAWING IS UNPUBLISHED. RELEASED FOR PUBLICATION
 © COPYRIGHT - By - ALL RIGHTS RESERVED.

LOC	DIST	REVISIONS			
P	LTR	DESCRIPTION	DATE	DWN	APVD
FT	0	G2	REVISED PER ECO-11-004587	11MAR11	RK HMR



- NOTES:
- ① CONTACT CAVITIES IDENTIFIED BY CHARACTERS ON FRONT AND REAR FACES OF CONNECTOR.
 - 2. WILL ACCEPT (9) SIZE 20 SOCKET CONTACTS.
 - ③ WHITE DOT ONLY APPEARS ON 206485-3 ASSEMBLY.
 - ④ PRELIMINARY PART NUMBER.
 - ⑤ OBSOLETE PARTS: OBSOLETE CIS STREAMLINING PER D.RENAUD/D.SINISI

⑤	OBSOLETE	③ STANDARD	206485-3
		SMALL PACK	206485-2
		STANDARD	206485-1
PACKAGING		PART NUMBER	

THIS DRAWING IS A CONTROLLED DOCUMENT.		DWN A.STAUB BG 4/8/91	STE TE Connectivity													
DIMENSIONS: INCHES		CHK W.G.LENKER 7-23-92														
TOLERANCES UNLESS OTHERWISE SPECIFIED:		APVD -	NAME PLUG ASSEMBLY, STD SEX, SERIES 2, 11-9, CPC													
<table border="0"> <tr><td>0 PLC</td><td>± -</td></tr> <tr><td>1 PLC</td><td>± -</td></tr> <tr><td>2 PLC</td><td>± -</td></tr> <tr><td>3 PLC</td><td>± .005</td></tr> <tr><td>4 PLC</td><td>± -</td></tr> <tr><td>ANGLES</td><td>± -</td></tr> </table>		0 PLC	± -	1 PLC	± -	2 PLC	± -	3 PLC	± .005	4 PLC	± -	ANGLES	± -	PRODUCT SPEC 108-10024	SIZE A3	
0 PLC	± -															
1 PLC	± -															
2 PLC	± -															
3 PLC	± .005															
4 PLC	± -															
ANGLES	± -															
MATERIAL SEE		FINISH -	WEIGHT -	CAGE CODE 00779												
		DRAWING NO C-206485		RESTRICTED TO -												
		CUSTOMER DRAWING		SCALE 2:1 SHEET 1 OF 1 REV G2												

Mouser Electronics

Authorized Distributor

Click to View Pricing, Inventory, Delivery & Lifecycle Information:

[TE Connectivity:](#)

[206485-1](#)