

Adapted to your needs

Tufvassons have a wide range of transformers and over fifty years' experience of making them ourselves. Within the Testing area we develop power supply for testing equipment. It might, for example, be a rotary transformer for internal installation, as well as sealed versions for laboratory use. We are not satisfied until we have developed a product that meets all the requirements set by your testing equipment.



1-phase rotary transformer for testing equipment

The transformer is called an autotransformer, which means that it doesn't have separate windings. The winding consists of double-varnished wire mounted on a robust frame together with a carbon brush. The transformer enables stepless voltage control with retained sine shape. It is highly efficient and electromagnetic interference is completely avoided. Just like other products from Tufvassons, the transformer is easy to install, in this case assembly on a table is recommended.

Type:	KIEA 15	
Part. no.:	9854-0034	
Input voltage:	230 V	
Output voltage:	0-260 V	
Frequency:	50-300Hz	
Load:	max 15 A	cont. 12 A
Weight:	15.5 kg	
Encapsulation class:	IP20	
Ambient temperature:	max 45°C	
Insulation test:	2.5 kV	
Design:	<ul style="list-style-type: none"> - Primary connection to terminals. - Secondary connection to terminals, red for regulated output voltage, connection for external protective earth. - Indicator light for mains connection. - Fuse 6.3x32 mm, 15 A, mounted in the panel. - Autotransformer wound with double-varnished wire. - Winding and carbon brush mounted on a robust frame. 	
Mounting:	Table assembly.	
Manufacturing standard:	Safety	EN 61558-1; EN 61558-2-14
	Emissions:	EN 61 000-6-3; EN 61 000-6-4, IEC 62041
	Immunity:	EN 61 000-6-1; EN 61 000-6-2, IEC 62041
Other information:	NB. When connecting ensure that the phase is connected to the adjustable voltage.	



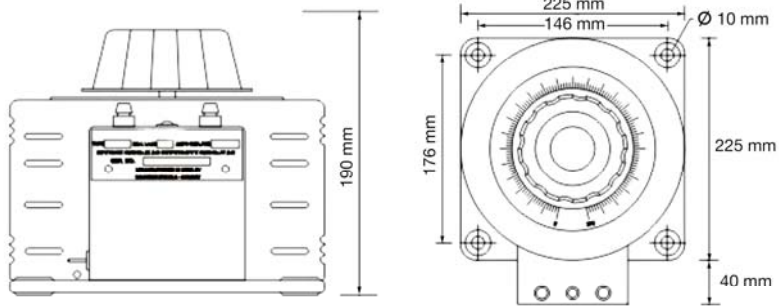
01/12



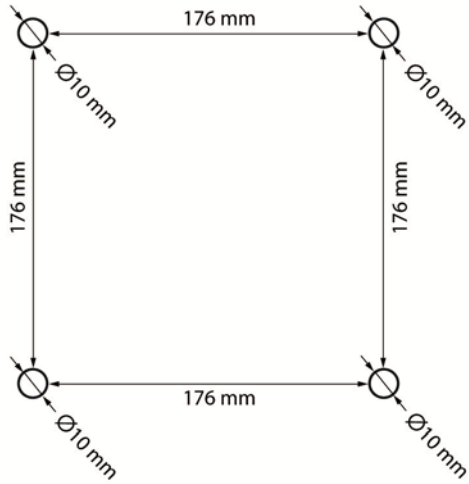
Tufvassons Transformator AB · Märstavägen 20 · 193 40 Sigtuna · Phone +46 (0) 8 594 809 00
Fax +46 (0) 8 592 52 768 · E-mail reception@tufvassons.se · www.tufvassons.se

A company in the ADDTECH group.

Dimensional drawing



Hole pattern



Wiring diagram

