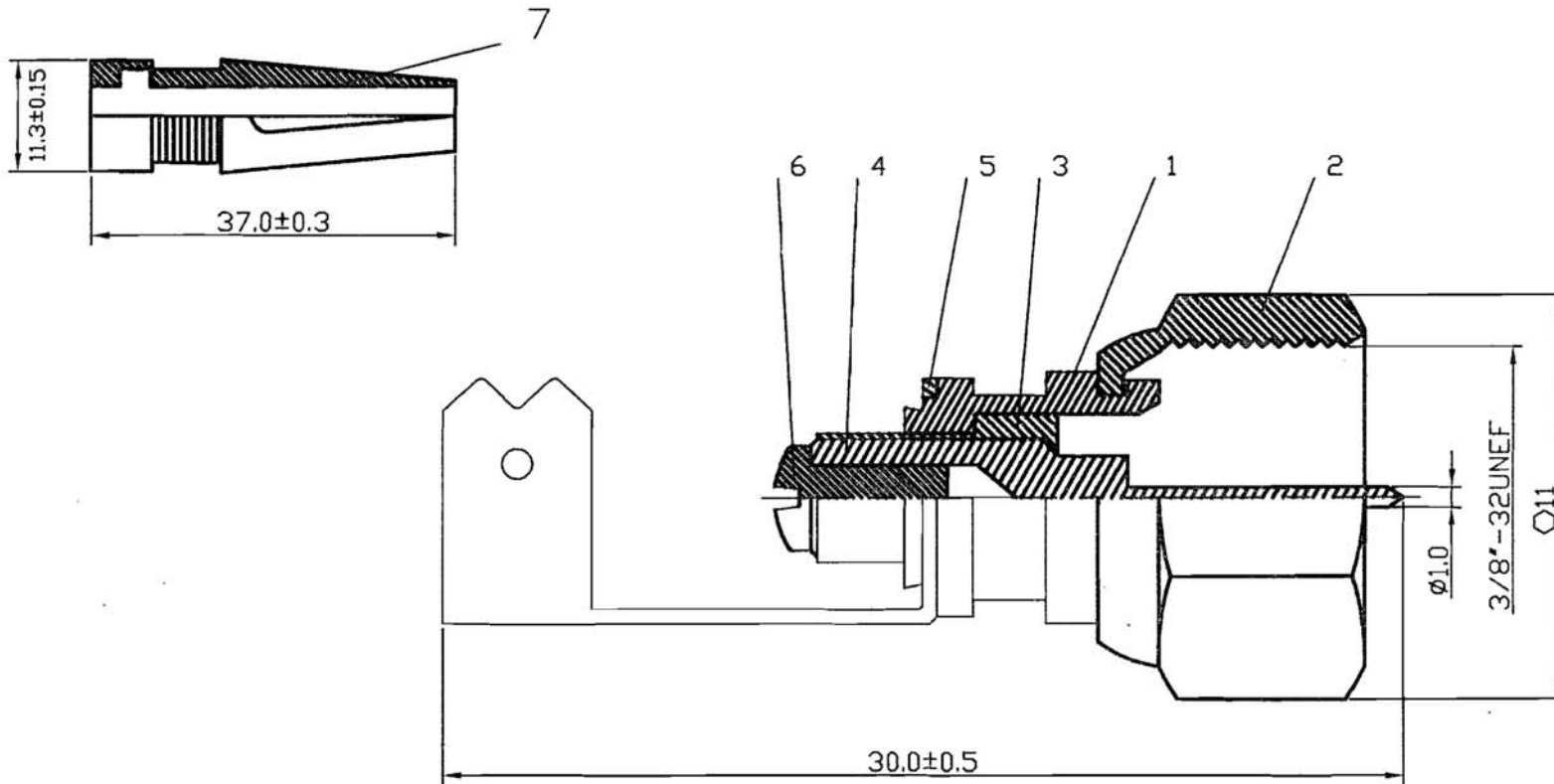


ROHS COMPLIANCE

DATE	DESCRIPTION	REV
	NEW RELEASE	A



11					
10					
9					
8					
7	BOOT	1	PVC	BLACK	
6	SCREW	1	STEEL	NICKEL	
5	GROUND RING	1	BRASS	NICKEL	
4	PIN	1	BRASS	NICKEL	
3	INSULATOR	1	DELTRIN	WHITE	
2	BODY	1	BRASS	NICKEL	
1	SHELL	1	BRASS	NICKEL	
NO	Description	Q'ty	Material	Finish	Part Number

UNLESS OTHERWISE SPECIFIED
 1. REMOVE ALL BURRS.
 2. BREAK ALL CONNERS & EDGES CO. 15 MAX.
 3. CHAMFER 1ST & LAST THREADS 45°.
 4. DIAMETERS ON COMMON CENTERS.
 TO BE CONCENTRIC WITHIN 0.01 T. I. R.
 5. ALL DIMENSIONS ARE AFTER PLATING.

MAJOR DIMENSIONS NOTED TOLERANCES	
0.5-6=±0.2	
6-30=±0.4	
30-120=±0.6	
ANGLES=±5°	
SCALE	5/1 UNIT MM

APPROVED BY
 CHECKED BY
 DRAWING BY
 DATE

DRAWING NO. MPC-732S	
TITLE F MALE SOLDERLESS	REV. A
MARUSHIN ELECTRIC MFG.CO.,LTD.	

DO NOT SCALE DRAWING