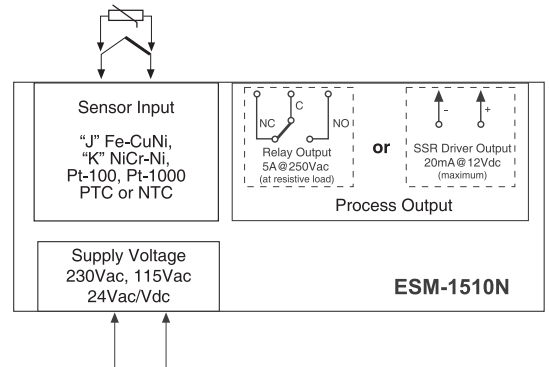


With
NEW
Dimension



- Heating / Cooling Applications
- DIN RAIL Mounting
- 3 digits display
- PTC, NTC, PT-100, PT-1000 thermoresistances input types
- Fe-Const (J), NiCr-Ni (K) thermocouples input types
- ON/OFF Temperature Control
- Selectable Heating or Cooling Function
- Adjustable Temperature Offset Value
- Set Value Boundaries
- Relay or SSR Driver Output
- Operation selection of compressor operates continuously, stops or operates periodically in case of probe defect
- Compressor Protection Times
- Password Protection for Programming Section



Specifications

Input

NTC: NTC (10KOhm @ 25°C)

PTC: PTC (1KOhm@25°C)

Thermocouple (TC): J, K (IEC 584.1) (ITS90)

Thermoresistance (RTD): 2-wire PT-100, PT-1000 (IEC 751)(ITS90)

Output

Relay (5A @ 250Vac at resistive load) or

SSR Driver Output (Maximum 20mA @ 12Vdc)

Measurement Range

-50 °C to 999 °C (refer to ordering information)

Accuracy: ±1% of scale

Cold Junction Compensation: Automatically ±0.1°C/1°C

Sensor Break Protection: Upscale

Sampling Cycle: 3 samples per second

Supply Voltage

230Vac (±%15) 50/60 Hz -1.5VA

115Vac (±%15) 50/60 Hz -1.5VA

24Vac (±%15) 50/60 Hz -1.5VA

24Vac/dc (-%15;+%10)50/60 Hz-1.5VA

Environmental Rating and Physical Specification

Operation Temperature: 0...50°C

Humidity: 0-90%RH (none condensing)

Dimensions

ESM-1510N, 90x35mm, Depth: 61,1mm