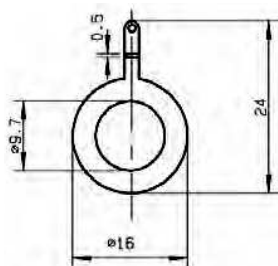


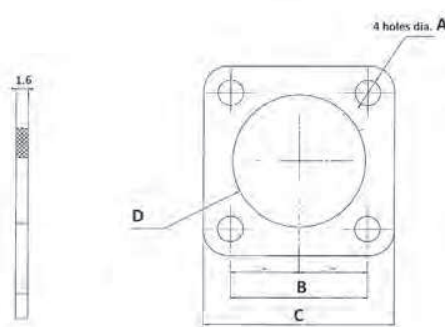
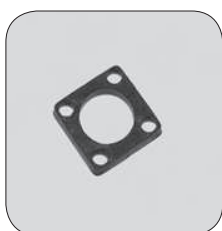
TAG, GASKETS AND FEEDTHROUGH

SOLDER TAG



Part number	Finish	Packaging
R280 490 020	Nickel	100 units

PANEL SEALING GASKETS



Part number	Series	Dimensions (mm)				Material
		A	B	C	D	
R280 505 000	N	Ø 3.4	18.25	25.4	17.7	Neoprene
R280 503 000	BNC	Ø 3	12.7	17.5	11.5	

CABLE PANEL FEEDTHROUGH

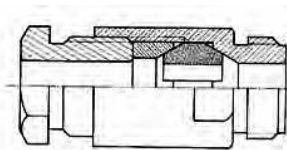


Fig. 1

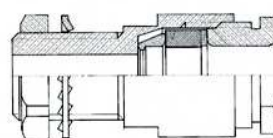


Fig. 2

Part number	Fig.	Mounting type	Panel hole size	Cable group dia.	Cable group
R280 007 000	1	Thread-in	7/16 - 14 UNC 2A	5/50	RG58/RG141/RG142
R280 009 000	1	Thread-in	7/16 - 28 UNEF 2A		
R280 010 000	1	Thread-in	7/16 UNC 2A	6/75	RG59/RG62
R280 019 000	1	Thread-in	11/16 24 NEF 2A	10/50 11/50	RG213/RG393/ RG214/RG216
R280 054 000	2	Bulkhead	4.9 mm	3 Max	RG178/RG174/ RG316/RG179
R280 257 000	2	Bulkhead	8 mm	5/50	RG58/RG141/RG142

To download data sheets and assembly instructions, visit www.radiall.com & enter the part number in the Search box. **Bold** part numbers represent products typically in stock & available for immediate shipment. See page 8 and 9 for packaging information.