

THIS DRAWING IS UNPUBLISHED. RELEASED FOR PUBLICATION DEC ,2005.  
 © COPYRIGHT 2005 By - ALL RIGHTS RESERVED.

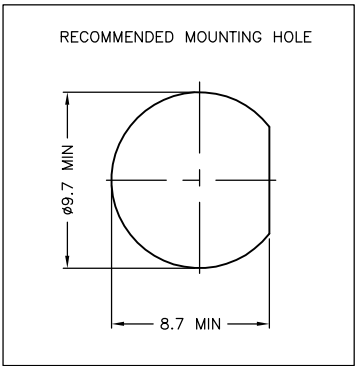
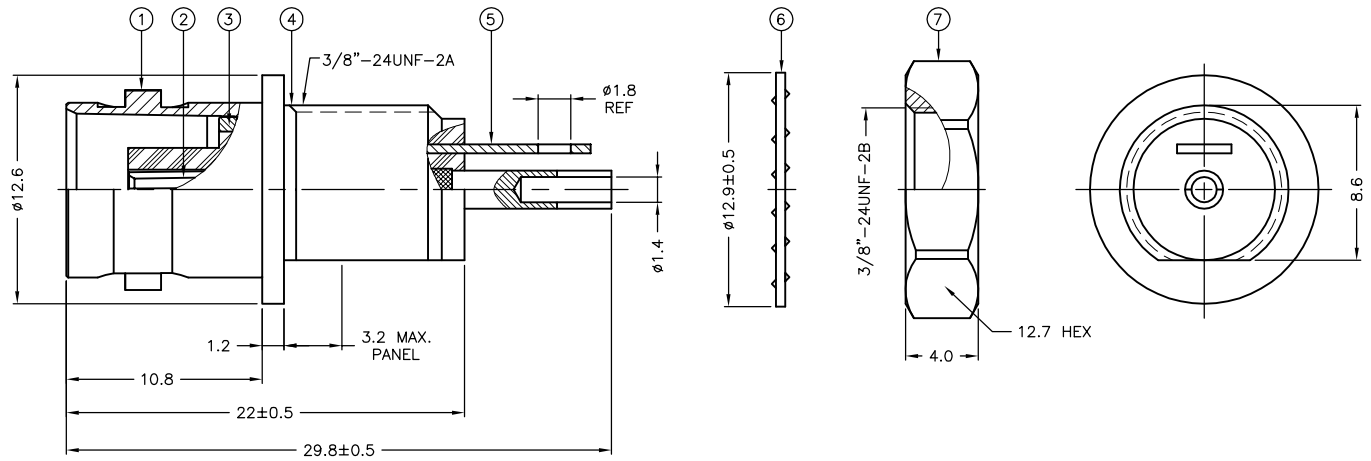
LOC	DIST	REVISIONS			
P	LTR	DESCRIPTION	DATE	DWN	APVD
E	B	ECR-15-003625	10MAR2015	RZ	MC

**NOTES:**  
 1 SINGLE PACKING: ONE CONNECTOR PER LABELED BAG PACKAGED. LABELED PER TEC-107-115  
 2 TRAY PACKAGED  
 3 Au PLATING  
 4 Ni PLATING  
 5 Sn PLATING

**6 ELECTRICAL CHARACTERISTICS**  
 FREQUENCY RANGE: DC - 4 GHz  
 NOMINAL IMPEDANCE: 50 Ohms  
 INSULATION RESISTANCE: 5000 MOhms Min.  
 WORKING VOLTAGE: 500 Volts RMS at Sea Level  
 DIELECTRIC WITHSTAND VOLTAGE: 1500 Volts RMS Max  
 CONTACT RESISTANCE:  
 CENTER CONTACT: 1.5 mOhms Max  
 OUTER CONTACT: 1.0 mOhms Max  
 VSWR @ 1GHz: 1.3 MAX.  
 INSERTION LOSS xdb: 0.2 dB MAX. @1 GHz

**7 MECHANICAL CHARACTERISTICS**  
 INTERFACE IN ACCORDANCE WITH: MIL-STD-348A  
 DURABILITY: 500 CYCLES

**8 ENVIRONMENTAL CHARACTERISTICS**  
 OPERATING TEMPERATURE: -40 to +60 DegC



NOT RELEASED

QTY	QTY PER ASSY	MATERIAL	DESCRIPTION	ITEM
1	1	BRASS	NUT	7
1	1	STEEL	LOCK WASHER	6
1	1	BRASS	GROUNDING TAB	5
1	1	ABS, NATURAL	BODY II	4
1	1	BRASS	WAHSER	3
1	1	PHOSPHOR BRONZE	CENTER CONTACT	2
1	1	BRASS	BODY I	1
6--0	1--0	MATERIAL	DESCRIPTION	ITEM

THIS DRAWING IS A CONTROLLED DOCUMENT.

DWN J.SANDWELL 13DEC05  
 CHK S.PARLOW 13DEC05  
 APVD F.WHEELER-KING 13DEC05

TE Connectivity  
**BNC INSULATED BULKHEAD SOCKET FRONT MOUNT 50 OHM**

SIZE A3 CAGE CODE 00779 DRAWING NO G-1337452 RESTRICTED TO -

MATERIAL SEE TABLE FINISH SEE TABLE WEIGHT -

CUSTOMER DRAWING SCALE NTS SHEET 1 OF 1 REV E