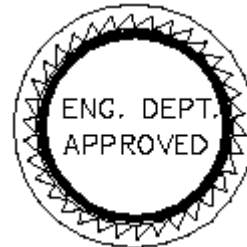


| OUTLINE OF CHANGES ON THE DOCUMENT | | | | |
|------------------------------------|----------------|----------------------|----------|------------|
| Version | Description | Page of modification | Issue by | Issue date |
| A | First released | - | Amy | 2010.01.05 |
| | | | | |
| | | | | |
| | | | | |
| | | | | |
| | | | | |
| | | | | |

SPECIFICATION FOR POWER ROCKER SWITCH

| ATTENTION | |
|---|---------------------|
| <p><i>Customer shall acknowledge the datasheet by returning "this cover page with authorized signature" before placing order. Lack of acknowledgement or additional response constitutes acceptance of the herein contents.</i></p> <p>下單前請將此份"規格書封面簽回",未簽回則視為承認本規格書內容.</p> | |
| Approved By | Entered Date |
| | |



CUSTOMER: _____
PART NO.: _____
TAIWAY P/N: R19U-R112B-B-6-B-M2
DATE OF ISSUE: 2010 Sep. 16
ISSUE BY: Amy Yen
APPROVED BY: Amy Yen

TAIWAY ELECTRONICS COMPONENTS CO., LTD.

R19U-R112 SERIES SPECIFICATION

File No.:
R19U-R112

Rev.: A

Page: 2 pages

| | | |
|----------------------------|------------------------|---|
| ELECTRICAL CHARACTERISTICS | CONTACT RATING: | On switching rating 3A 250VAC, 6A 125VAC (UL & CUL), 3A 250VAC (VDE) |
| | CIRCUITRY | R112A:SPST ON-OFF R112B:SPST ON-OFF Illuminated (200-250VAC) |
| | ELECTRICAL LIFE: | 10,000 make and break cycles at 3A 250VAC |
| | CONTACT RESISTANCE: | To be measured with Dc5V 1A. Applying a static load to the center of the stem. Max. 20m-ohms |
| | INSULATION RESISTANCE: | To be measured with an insulation measuring device of 500VDC between terminals of open contacts and between terminals of opposite polarity for 1 minute ±5 seconds. Min. 100M-ohms |
| | DIELECTRICAL STRENGTH: | AC 1,000V (50~60Hz 2mA current) being applied between terminals of open contacts and between terminals of opposite polarity and between terminals and frame for 1 minute. There shall be no flashover or arcing |
| | OPERATING TEMPERATURE: | -20celsius degree to +85celsius degree |
| | STORAGE TEMPERATURE: | 0celsius degree to 55celsius degree |
| MECHANICAL CHARACTERISTICS | SWITCH TYPE: | Ultraminiature |
| | MECHANICAL LIFE: | Min. 50,000 cycles without load |
| | OPERATING FORCE: | 400gf +/- 200gf |
| | SOLDERING TEMPERATURE: | Wave soldering temperature at 260+/-5 Celsius degree for max. 5+/-1 sec. For hand soldering, temperature is at 350+/-5 Celsius degree with a 60W iron head within 3sec. Please note do not apply soldering iron directly on the terminals when soldering. |
| RELIABILITY | COLD TEST: | Switch for testing being kept in the conditions at -40±2 Celsius degree in temperature for 96 hrs. Afterwards, the switch shall be left in a normal ambient condition for 1 hr then to be measured within 1 hr. Drop of water must be taken away. There shall be no defect in appearance or in the mechanical functions. Contact resistance 20m-ohms max. |

TAIWAY ELECTRONICS COMPONENTS CO., LTD.

R19U-R112 SERIES SPECIFICATION

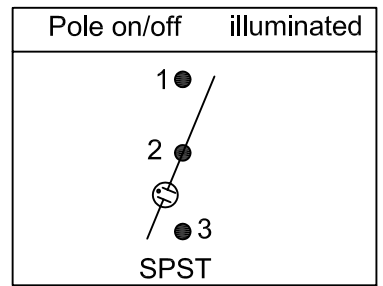
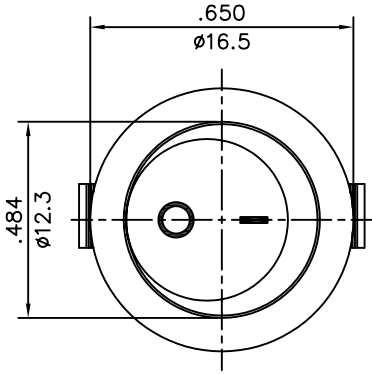
File No.:
R19U-R112

Rev.: A

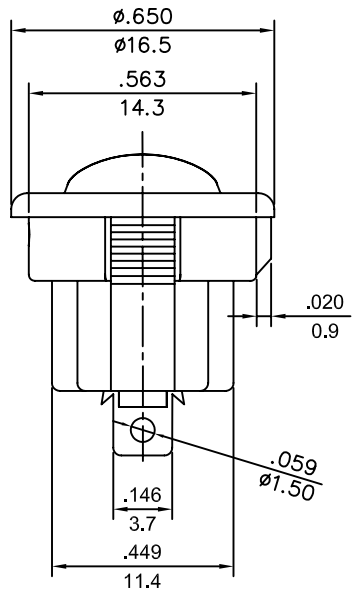
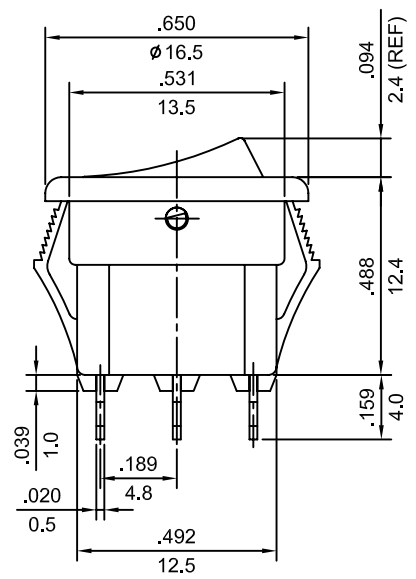
Page: 2 pages

| | | | | | | | | | | | | | | |
|---------------------------------|---|--|-----|-------|-------|-----------------|--|--|-------|-----------------|-----|-------|--|--|
| RELIABILITY | HEAT TEST: | Switch for testing being kept in the conditions at 85±2 Celsius degree in temperature for 96 hrs. Afterwards, the switch shall be left in a normal ambient condition for 1 hr then to be measured within 1 hr. There shall be no defect in appearance or in the mechanical functions. Contact resistance 20m-ohms max. | | | | | | | | | | | | |
| | HUMIDITY TEST: | Switch for testing being kept in the conditions at 40±2 Celsius degree in temperature and 90~95%RH for 96 hrs. Afterwards the switch shall be left in a normal ambient condition for 1 hr then to be measured within 1 hr. There shall be no defect in appearance or in the mechanical functions. Contact resistance 20m-ohms max. | | | | | | | | | | | | |
| | SALT-SPRAY TEST: | Stored at temperature @ 35(+/-2) Celsius degree, and salt solution concentration of 5% with full air temperature @ 47(+/-3) Celsius degree and air pressure 1.0kg for 24 hrs. The switch shall result no corrosion as well as no apparent changes to its mechanical functions. Contact resistance 20m-ohms max. | | | | | | | | | | | | |
| MATERIAL CHARACTERISTICS | ROCKER: | PA66 or PC, UL 94V-2 rated Color options: <table border="1" style="margin-left: 20px; border-collapse: collapse; text-align: center;"> <tr> <td style="width: 25%;">1</td> <td style="width: 25%;">2</td> <td style="width: 25%;">6</td> <td style="width: 25%;">8</td> <td style="width: 25%;"></td> <td style="width: 25%;"></td> </tr> <tr> <td>White</td> <td>Black (std.)</td> <td>Red</td> <td>Green</td> <td></td> <td></td> </tr> </table> | 1 | 2 | 6 | 8 | | | White | Black (std.) | Red | Green | | |
| | 1 | 2 | 6 | 8 | | | | | | | | | | |
| | White | Black (std.) | Red | Green | | | | | | | | | | |
| | HOUSING: | PA66, UL 94V-2 rated Color options: <table border="1" style="margin-left: 20px; border-collapse: collapse; text-align: center;"> <tr> <td style="width: 50%;">A</td> <td style="width: 50%;">B</td> </tr> <tr> <td>White</td> <td>Black (std.)</td> </tr> </table> | A | B | White | Black (std.) | | | | | | | | |
| | A | B | | | | | | | | | | | | |
| | White | Black (std.) | | | | | | | | | | | | |
| SPRING: | Piano wire | | | | | | | | | | | | | |
| CONTACT: | Silver alloy | | | | | | | | | | | | | |
| TERMINAL: | Copper alloy, silver plated | | | | | | | | | | | | | |
| RoHS IDENTIFICATIONS: | A label marking "RoHS compliant" will be attached to the carton box or the smallest quantity package. | | | | | | | | | | | | | |
| PACKAGE | | | | | | | | | | | | | | |

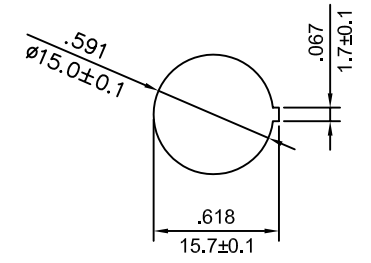
| | | | |
|------------|-------------------|-------------|---------------|
| REV. 更改 | DESCRIPTION 說明 | ENG. 修改人 | APPROVE 審核 |
| | | | |



SPECIFICATIONS:
 1. Rating: 3A 250VAC 6A 125VAC (UL/CSA)
 2. Contact Resistance: 20m-ohms (initial)
 3. Insulation Resistance: 500VDC 100M-ohms MIN.
 4. Dielectric Strength: 1000VAC for 1 minute
 5. Electrical Life: 10,000 cycles MIN.
 6. Tolerance: ±0.30mm
 7. IO Marking, Red actuator, Black body
 8. LED Illumination: 200~250VAC



PANEL CUTOUT DIMENSION



SCALE: 1/1

PANEL THICKNESS (1.0~2.0mm)

| | |
|----------------|---------------------|
| ITEM NO. 料號 | R19U-R112B-B-6-B-M2 |
|----------------|---------------------|

| | | | |
|---|---------|--|----------------------------|
| THESE DRAWINGS AND SPECIFICATIONS ARE THE PROPERTY OF TAIWAY ELECTRONICS LTD. AND SHALL NOT BE REPRODUCED COPIED OR USED IN ANY MANNER WITHOUT THE PRIOR WRITTEN CONSENT OF TAIWAY ELECTRONICS LTD. | | 泰瑋電子有限公司 TAIWAY ELECTRONICS COMPONENTS CO.,LTD. | |
| UNLESS OTHERWISE SPECIFIED DIMENSIONS ARE IN MILLIMETERS ANGULAR TOLERANCE: ±1.0° | | USED 用途 R19U | APPD. 審核 Amy 2010/01/05 |
| DIMENSIONS TOLERANCE | | FINISH 處理 | CHKD. 校對 Amy 2010/01/05 |
| 0.00 TO 30.00mm | ±0.20mm | SCALE 比例 / | DR. 製圖 Amy 2010/01/05 |
| 30.01 TO 80.00mm | ±0.25mm | UNIT 單位 in(mm) | |
| 80.01 TO 150.00mm | ±0.30mm | | |
| 150.01 | ±0.40mm | TITLE 名稱 ULTRAMINIATURE POWER ROCKER SWITCH | |
| MATERIAL | | DWG NO. 圖號 R19U-R112B-x-x-x-M2 | SIZE 圖紙 A4 |
| | | FILE NAME 檔案名稱 R19U-R112B.dwg | SHEET 張 1/1 |
| | | REV. 更改 | 1 |