



80x80x25.5mm/3x1inch, 25 ~ 15 CFM

S825AP		General specifications							
 		-Motor: Shaded pole, inner rotor, single phase, impedance protected design -Motor Protection: -Frame: Aluminum die-cast, black color cosmetics -Impeller: Plastic, rated UL94V-0 -Bearing: Two ball bearings. (Sleeve bearing on request only) -Rotation: CCW view from label side -Operating Temp: Ball bearing ambient -20C ~ +80C, for sleeve -10 ~ +45C -Storage Temp: -Life Expectancy: MTBF life test for ball bearing 80,000 hours at 45C, 50,000 hours at 60C -Dielectric Strength: Over 1 min. at 1,500 VAC, 0.5mA, 50/60 Hz -Insulation Resistance: Over 100 Mega Ohm at DC 500V -IP Protection: -Connection: Choice of connecting Wire leads (W type) or Terminal flat pin (T type) -Weight: 260 g (0.57 Lbs) *AC Metal Fans Nomenclature *AC Fans Nomenclature series *DC Fans Nomenclature series							
		Model No.	Rated Voltage	Voltage Range	Freq.	Input Power	Ref. Speed	Max. Airflow	Max. Static Pressure
	VAC	VAC	Hz	Watt	RPM	CFM	Inch/H2O	dB(A)	
S825AP-11-1**	115	100~120	50/60	11/9	2500/3000	22/25	0.18/0.21	28	
S825AP-11-2**	115	100~120	50/60	8/6	2100/2300	18/20	0.14/0.15	24	
S825AP-11-3**	115	100~120	50/60	6/4	1800/1900	15/16	0.11 /0.12	19	
S825AP-22-1**	230	200~240	50/60	11/9	2500/3000	22/25	0.18/0.21	28	
S825AP-22-2**	230	200~240	50/60	8/6	2100/2300	18/20	0.14/0.15	24	
S825AP-22-3**	230	200~240	50/60	6/4	1900/2100	15/17	0.11 /0.12	19	
S825AP-11/22-1**	115	100~120	50/60	11/9	2500/3000	22/25	0.18/0.21	28	
dual voltage	230	200~240							
S825AP-11/22-3**	115	100~120	50/60	6/4	1900/2100	15/17	0.11/0.12	19	
dual voltage	230	200~240							

**="WB" for wire leads connecting , Ball bearing OR "TB" for Terminal flat pins push in connecting , Ball bearing

Related Product Information

Please see our related items below for suggested products to use with this item:

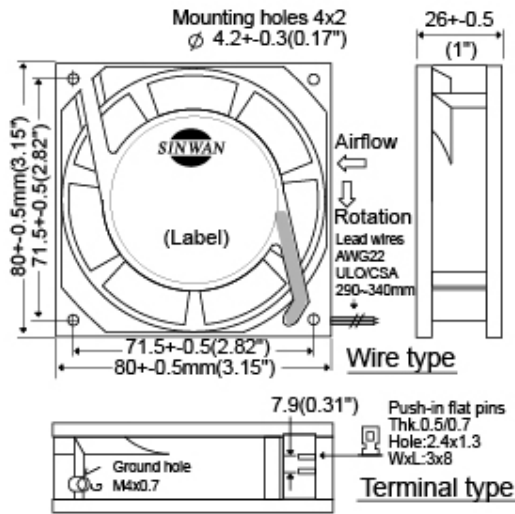
- Metal Fan Guard: [G80-18](#)
- Plastic Fan Guard: [G80P](#), [G80P2](#), [G80P2A](#), [G80P4](#)
- Plastic Fan Filter: [GRM80-30](#), [GRM80-45](#)
- Metal Fan Screen: [MF80S-30N](#)

Related Technical Information

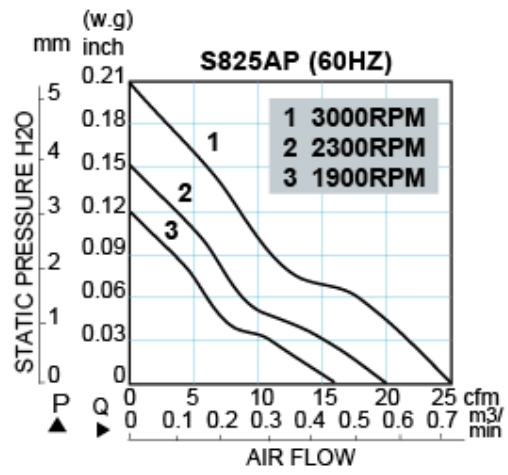
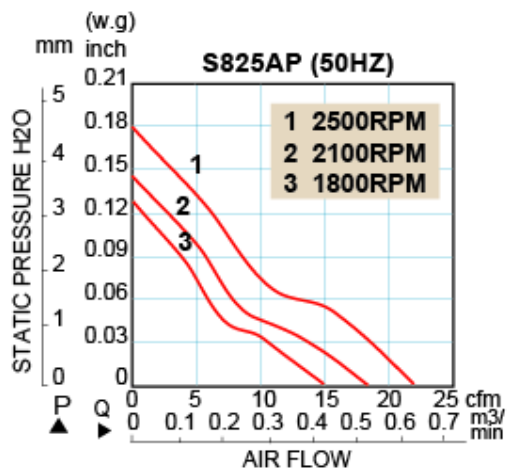
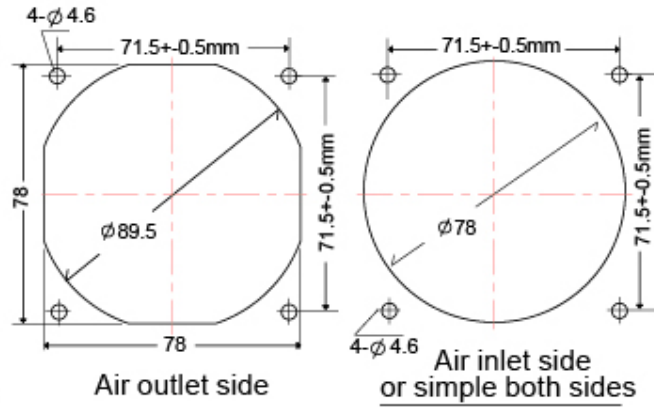
-Optional Function Leads:

- Tachometer, speed sensor pulses 5V, input 4.5~27 VDC, 1 signal each revolution, or 2 signals each revolution available on request. Function-F/G
- AC Alarm Fan, DC Power supply alarm output, open collector or TTL available. Function-R/D Alarm DC input
- Fan abnormal speed alarm, Programmable CPU AC Power alarm output, open collector or TTL available on request. Function-R/D Programmable CPU Alarm
- AC Fan Dual Voltage Wiring Diagram : [AC Fan Dual Voltage 115VAC/230VAC](#)

Sinwan S825 series



Dimensions of installation holes



* Sinwan reserves the right to change data and specs without notice
 * Tests are at nominal rated voltage against zero static pressure
 * Specifications subject to change without notice, data tolerance $\pm 10\%$