

## ACCESSORIES

# PYR 5008 and 7511 resistors

- For voltage balancing and/or discharge of electrolytic capacitors
- Fits capacitor diameters 50–90 mm
- Easy to mount

## APPLICATION

Voltage balancing of series connected electrolytic can type capacitors and/or discharge purposes.

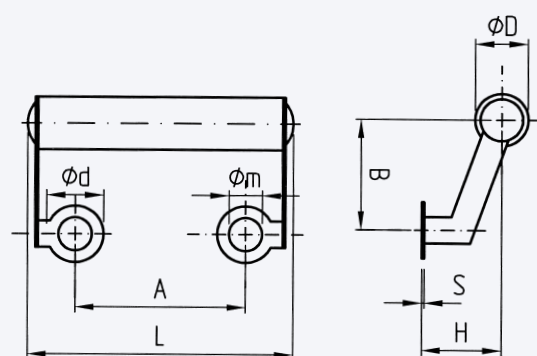
## BASIC DESIGN

The PYR resistors are wire wound on a ceramic core and coated with high temperature silicone. The mounting brackets are

made of stainless steel and connected by two point spot welding.

## SPECIFICATION

<b>Standards</b>	CECC 40201, MIL -R26E
<b>Resistance range</b>	10–47 k $\Omega$
<b>Resistance tolerance</b>	+/- 5%
<b>Rated voltage</b>	700 VDC acc. to CECC 40201-003
<b>Temperature range</b>	-55 to +105°C



Dimensions table PYR (mm)

Type	A	L $\pm 1$	d $\pm 2$	m	B	H $\pm 1$	S $\pm 1$	D max	Weight approx (g)
PYR 5008	22.0*	40	10.6	6.3	21	15	0.4	10	9
PYR 7511	32.0	50	10.6	6.3	21	15	0.4	10	11

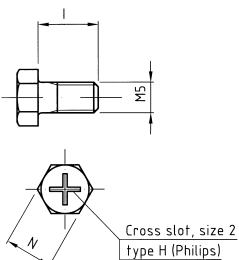
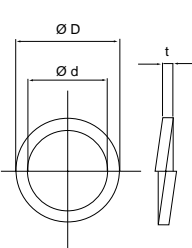
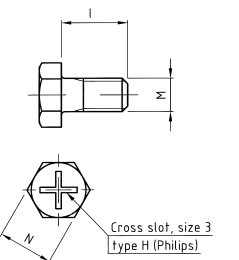
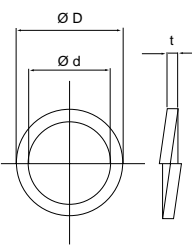
\* Brackets are adjustable up to A = 28.5

Article table PYR

Article code	R (k $\Omega$ )*	P <sub>max</sub> (W) 40°C	P <sub>max</sub> (W) 85°C	P <sub>max</sub> (W) 105°C	Fits cap. diameter
PYR 5008 / 47	47	10	8	7	50–65
PYR 7511 / 10	10	13	11	10	75–90
PYR 7511 / 18	18	13	11	10	75–90
PYR 7511 / 27	27	13	11	10	75–90
PYR 7511 / 47	47	13	11	10	75–90

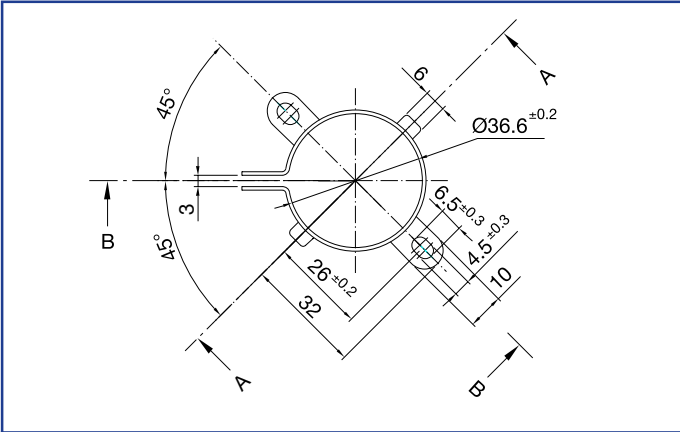
\* Other R values on request

NYLON CAP NUTS	Mounting hole mm (min)	Max chassis thickness (mm)	Width of jaws (mm)	Creepage distance (mm)	Test voltage 50-60 Hz 1 min (KVAC)	Max tightening torque (NM)	Capacitor diameter (mm)
 <p><b>PYB 7033, M8</b></p>	Ø 17.5	5	17	4.5	2.5	3	Ø = 35
 <p><b>PYB 7026, M12</b></p>	Ø 17.5	5	19	2.5	2,5	8	Ø > 35
 <p><b>PYB 7041, M12</b></p>	Ø 22.5	5	19	5	2.5	8	Ø > 35
 <p><b>PYB 7042, M12</b></p>	Ø 30.5	5	19	9	4	8	Ø > 35

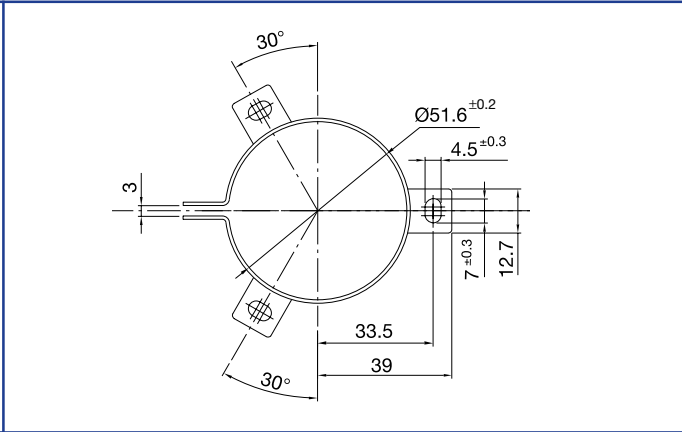
SCREWS STAINLESS STEEL	WASHERS STAINLESS STEEL	M	l	D	d	t	S	Max tightening torque (NM)
 <p><b>PYC 6750, M5</b></p>	 <p><b>PYC 7150, M5</b></p>	M5	10	8.7	5.1	1.2	10	3
 <p><b>PYC 6751, M6*</b></p>	 <p><b>PYC 6756, M6*</b></p>	M6	12	11.1	6.1	1.6	12	5 *

\* M6 and M5 (max connector thickness 3 mm incl. washer)

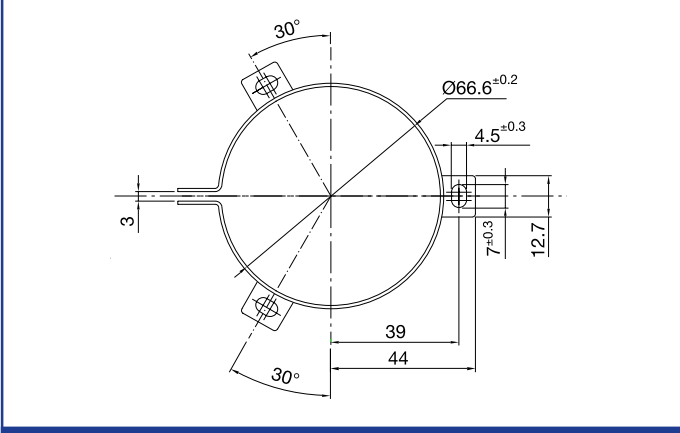
CLIPS



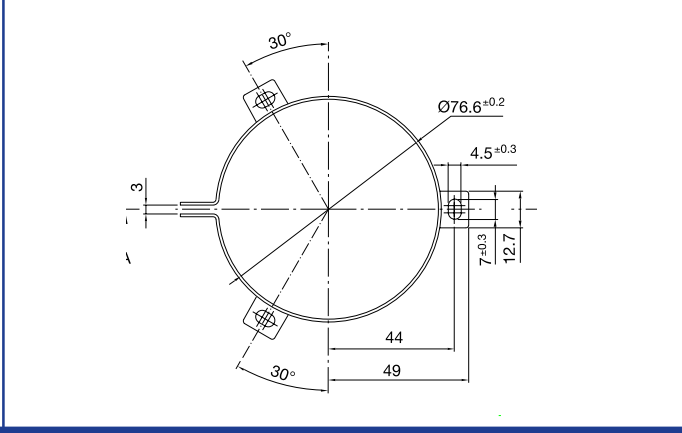
PYC 6041, Ø 35 mm



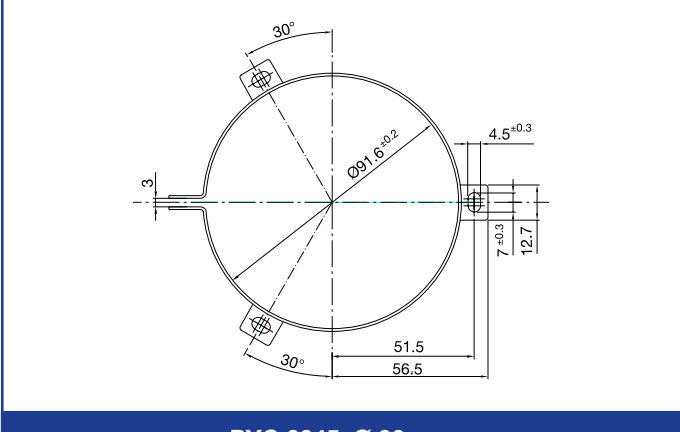
PYC 6042, Ø 50 mm



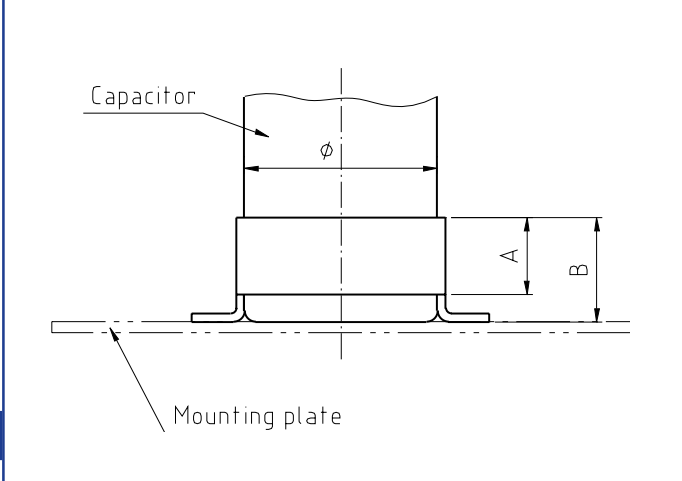
PYC 6043, Ø 65 mm



PYC 6044, Ø 75 mm



PYC 6045, Ø 90 mm



Ø	A	B
35	14 mm	20 mm
50	19 mm	30 mm
65/75	25 mm	36 mm
90	25 mm	36mm

Delivered without bolts and nuts for mounting