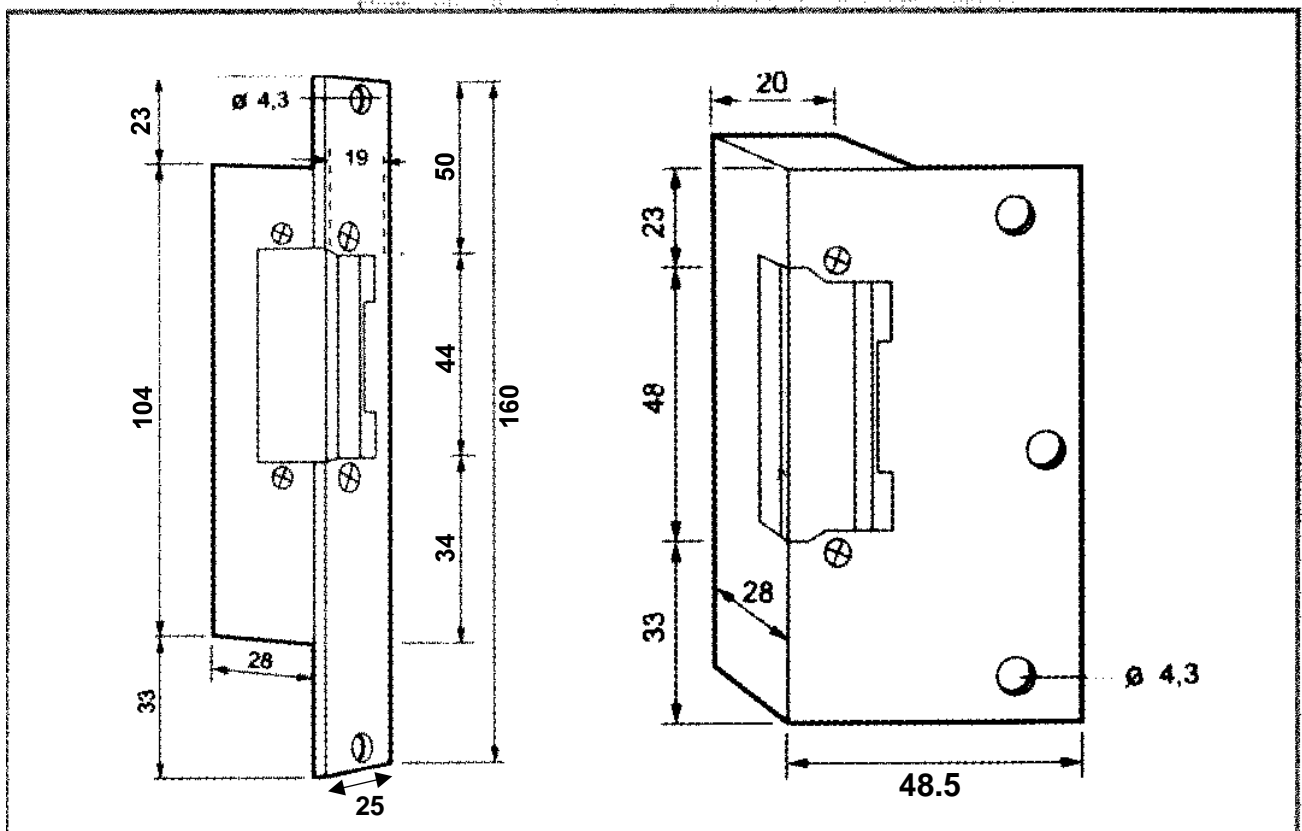


General Lock Release Dimensions



Models

204
205 (Mortice fitting)
206 (Mortice fitting)
209 (Mortice fitting)
210 (Mortice fitting)
2208
2208F
2208FM

Models

203
205 (Surface fitting)
206 (Surface fitting)
209 (Surface fitting)
210 (Surface fitting)