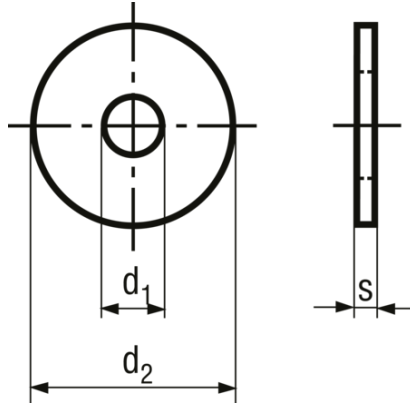


## Flat washers without chamfer series LL (very large)

BN 84525



Material	Steel
Surface	zinc plated blue
Hardness	100 HV
Standard	~NFE 25-513 LL (Standard withdrawn)

Article no	for thread	d1	d2	s
8042802	M3	3.2	14	0.8
8028419	M4	4.3	16	0.8
8028435	M5	5.3	20	1
8028451	M6	6.4	24	1.2
8028486	M7	7.4	27	1.5
8028494	M8	8.4	30	1.5
8028532	M10	10.5	36	2
8028575	M12	13	40	2.5
8028605	M14	15	45	2.5
8028621	M16	17	50	3
8028648	M18	19	55	3
8028672	M20	21	60	3